

MINELINE® ACCESSORIES



MHCP RETROFIT PARTS FOR CLASSIC® HEAD SHED

Medium and Heavy-Duty Precleaners

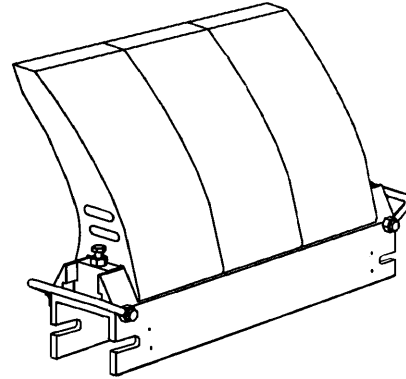
A special MHCP Blade Cartridge can be retrofit on the Classic® Head Shed pole. This allows the use of the longer-wearing SuperShear™ blades without replacing the entire cleaner and tensioning system.

Blade Cartridge Kits - Classic

(includes blades, cartridge and mounting bolts)

BELT WIDTH		ORDERING NUMBER	ITEM CODE
in.	MM		
24	600	MBCK-CL-24	76052
30	750	MBCK-CL-30	76053
36	900	MBCK-CL-36	76054
42	1050	MBCK-CL-42	76055
48	1200	MBCK-CL-48	76056
54	1350	MBCK-CL-54	76057
60	1500	MBCK-CL-60	76058
72	1800	MBCK-CL-72	76059

Lead time: 1 working day

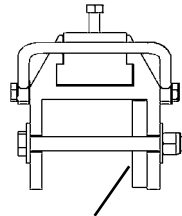


Blade Cartridges - Classic

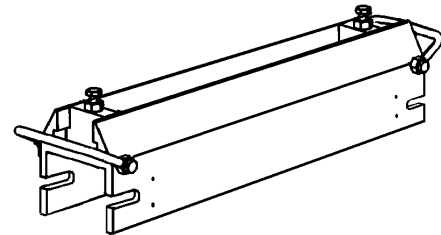
(includes cartridge and mounting bolts only)

BELT WIDTH		ORDERING NUMBER	ITEM CODE
in.	MM		
24	600	MBC-CL-24	76061
30	750	MBC-CL-30	76062
36	900	MBC-CL-36	76063
42	1050	MBC-CL-42	76064
48	1200	MBC-CL-48	76065
54	1350	MBC-CL-54	76066
60	1500	MBC-CL-60	76067
72	1800	MBC-CL-72	76068

Lead time: 1 working day



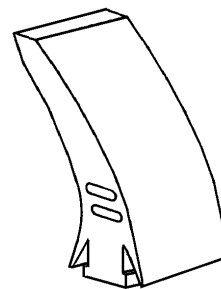
Shim on underside of cartridge should be on the back side of the pole.



Replacement Blades

DESCRIPTION	ORDERING NUMBER	ITEM CODE
SuperShear™ Blade	SSRB	75978

Lead time: 1 working day



Bolt Kit

(for use with Classic® and Martin Engineering blade cartridge kits)

DESCRIPTION	ORDERING NUMBER	ITEM CODE
Bolt Kit	BCRBK	76095

Lead time: 1 working day



2525 Wisconsin Avenue
Downers Grove, IL 60515-4200 U.S.A.
Phone: 800-541-8028
Web site: www.flexco.com