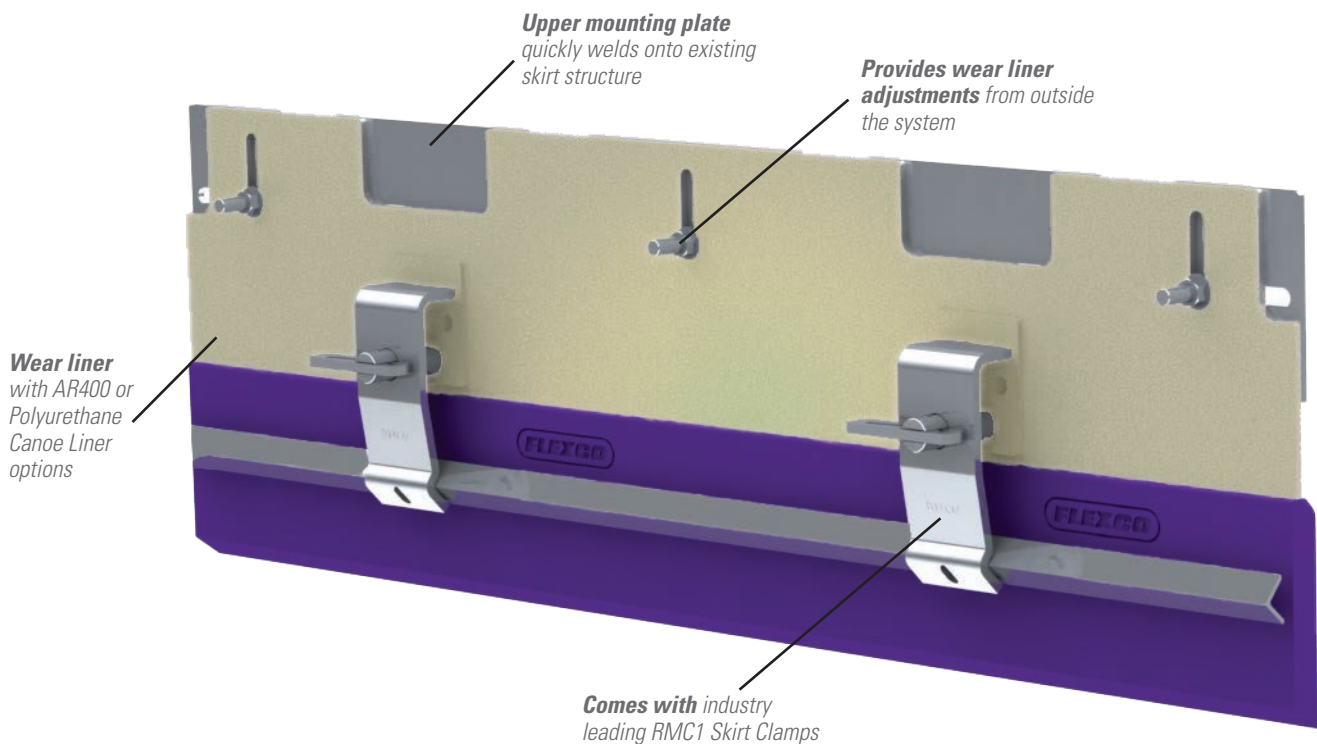


SKIRT WEAR LINER KIT

Affordable and Easy-To-Use System to Prevent Load Zone Spillage

Skirt Wear Liner Kit provides an alternative between a complete Enclosed Skirting System or individual Skirt Clamp Kit, providing the best features from both solutions. This kit quickly attaches to existing skirt walls to provide a one-piece repair that quickly stops spillage and eliminates the safety hazards found with a worn or damaged load zone. Both the wear liner and skirting clamps are easily adjusted from along-side the conveyor, reducing the time spent maintaining the system while increasing overall performance, sending your material down the conveyor to the next transfer.



Features and Benefits

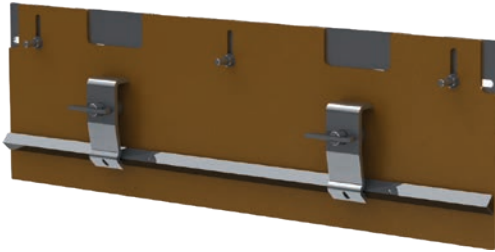
- **Retrofits to worn out chutes and load zones** to quickly prevent fugitive material from escaping the load zone.
- **No Belt Damage.** With correct installation, the skirt rubber will not drag on the belt, causing premature wear or gouge marks in the belt cover. Such damage reduces belt cleaning efficiency.
- **Safe Service Access.** All maintenance work can be done safely from the sides of the conveyor.
- **Economical.** Buy only the parts you need for your skirting system.
- **Long service life.** Skirt Wear Liner Kits are made of corrosion protected components for tough duty. AR400 provides a durable and corrosion resistant surface for long wear. Replacement parts are available.

SKIRT WEAR LINER KIT

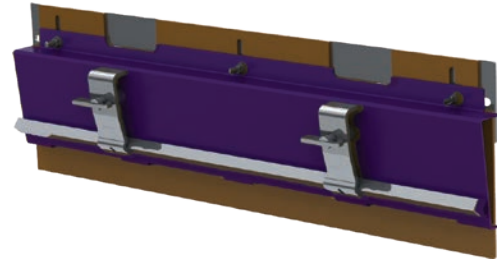
Ordering Information

Belt Width	Height		Length		Ordering Number	Item Code	Wt. Lbs.
	in.	mm	in.	mm			
Straight Liner Kit with 1/4" (6mm) AR400	14 1/2	368	48	1200	SLAWK-48	93115	75.2
Straight Liner Kit with 1" (25mm) Canoe Liner	14 1/2	368	48	1200	SLUWK-48	93116	76.4
Tangent Liner Kit with 1/4" (6mm) AR400	14 1/2	368	48	1200	TLAWK-48	93117	96.3
Tangent Liner Kit with 1" (25mm) Canoe Liner	14 1/2	368	48	1200	TLUWK-48	93118	95.9

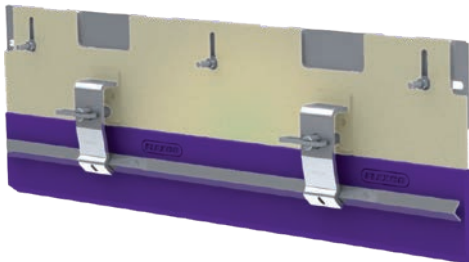
Includes on 48" (1200mm) section
Lead time: 1 working day



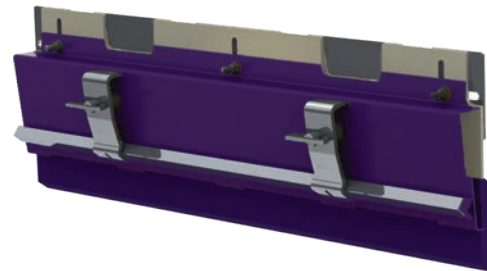
Straight Liner Kit with 1/4" (6mm) AR400



Tangent Liner Kit with 1/4" (6mm) AR400



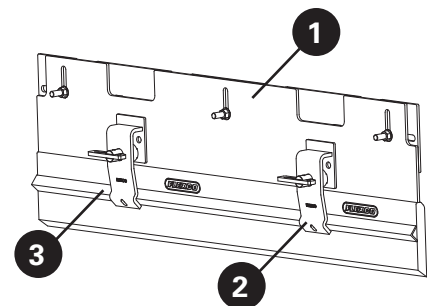
Straight Liner Kit with 1" (25mm) Canoe Liner



Tangent Liner Kit with 1" (25mm) Canoe Liner

Replacement Parts

Ref	Belt Width	Ordering Number	Item Code	Wt. Lbs.
1	Replacement Straight Liner with 1/4" (6mm) AR400	SL-48	91841	45.4
	Replacement Tangent Liner with 1/4" (6mm) AR400	TL-48	91842	45.6
	Replacement Straight Liner with 1" (25mm) Canoe Liner	SLU-48	93113	47.2
	Replacement Tangent Liner with 1" (25mm) Canoe Liner	TLU-48	93114	45.3
2	Bolt-On Pal Pak	RMC1-BPP	76415	6.5
3	Clamp Bar	RMC1-CB	75820	4.0



Authorized Distributor:

2525 Wisconsin Avenue • Downers Grove, IL 60515-4200 • USA
Tel: (630) 971-0150 • Fax: (630) 971-1180 • E-mail: info@flexco.com

Visit www.flexco.com for other Flexco locations and products.

©2021 Flexible Steel Lacing Company. 09/01/21. For reorder: X6487

