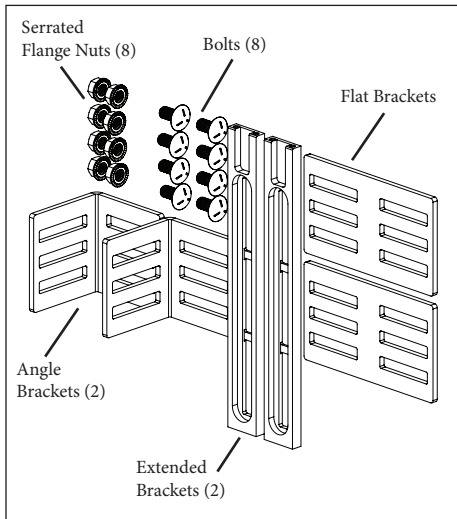


STP Extra Long Mount Bracket (Kit 56735)

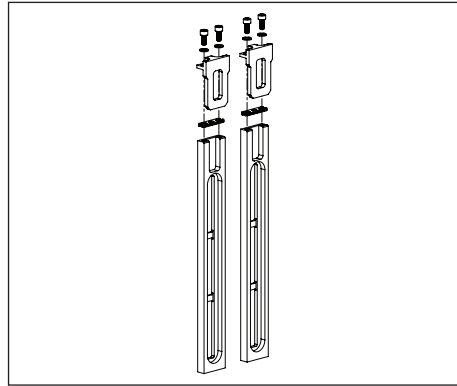
Instructions for Installation

Reference Segmented Transfer Plate IOM (X4064 & X6041) for full installation details. This sheet is only to guide the installation of the optional mounting bracket. Kit 56735 contains two extra long mounting brackets, two 90° angle plates, two flat plates, and mounting hardware.

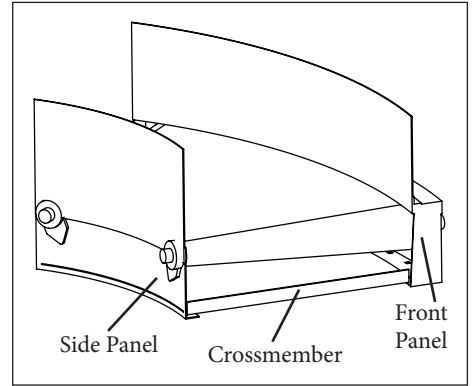
Typical applications include power curves and spiral elevator conveyors where there is not sufficient conveyor structure to weld or bolt the 56600 mounting bracket included within the STP kit. Kit 56735 does not include the stainless steel top plates needed to hold the support bar. Remove the top plate, adjustment shims, and hardware from 56600 MTG BRKT KIT included with the STP kit and install them onto the extra long mounting brackets.



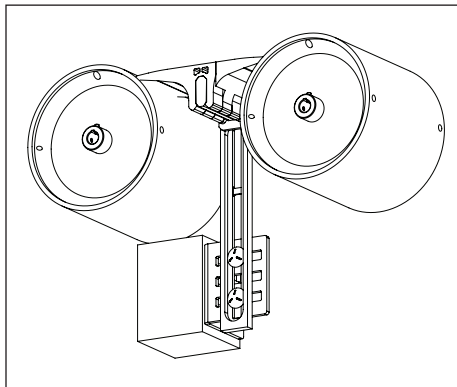
STP Extra Long Mount Bracket (Kit 56735)



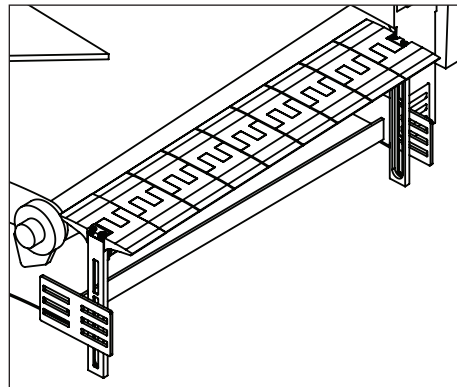
1. Remove the SS top plates, metal shims, and hardware from the 56600 MTG BRKT KIT and attach them to the Extra Long MTG BRKTS from the 56735 KIT.



2. Identify mounting surfaces below the leading pulley that you can attach either the 90° angle bracket or the flat bracket. Sometimes it's a combination of both. The 90° angle bracket is typically attached to crossmembers or front panels of the conveyor frame and the flat plate is typically bolted to the side panels. Best practice is to mount the STP to the structure of the conveyor that secures the pulley.



3. In this example we have selected the lower side panel as the anchor point for the 90° angle bracket. When you install the bracket assembly, verify that the extended brackets clear both rollers and there is at least 1/4" (6 mm) of clearance between the extended bracket and pulleys or other moving parts.



4. Install the transfer plate and follow steps 1 to 14 of IOM X4064. Once STP has been adjusted to proper height, tighten the remaining carriage fasteners.

Visit www.flexco.com for other Flexco locations and products, or to find an authorized distributor.