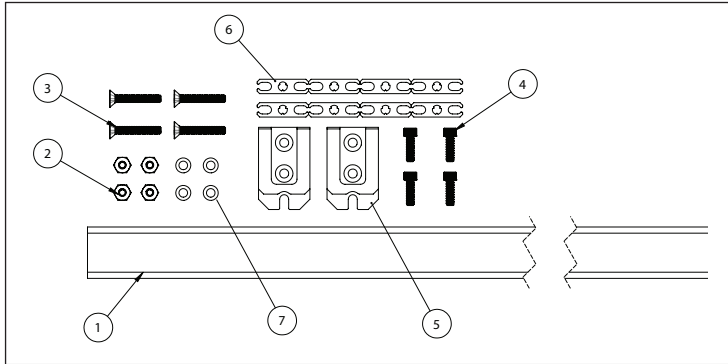


Segmented Transfer Plate (STP) Stainless Steel Hardware (Kit 56744)

Instructions for Installation

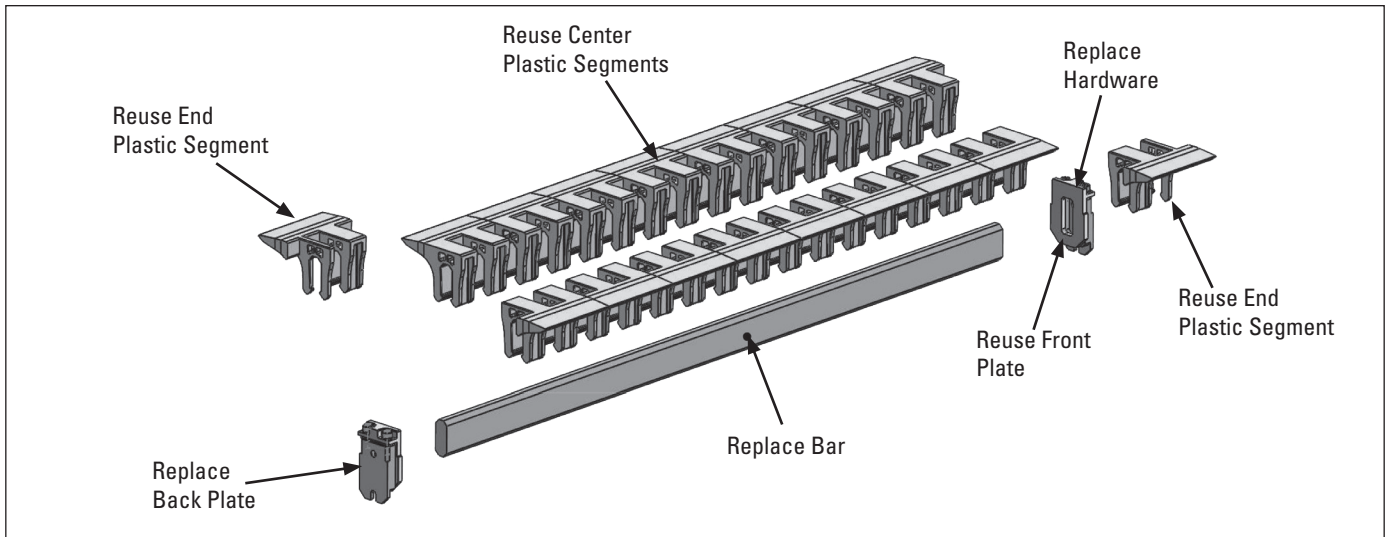
Kit 56744 is intended for STP installations that require stainless steel hardware in order to meet FDA material compliance. Typical applications include industrial baking, protein packaging, confectionary packaging, pet food packaging, and other food packing applications. Kit 56744 is also suitable for single-use installations (SUI) in pharmaceutical and medical device manufacturing operations where the product is allowed to be used once and then is discarded.

NOTE: This product is not intended for applications that have direct contact with food.



Item	Description	Quantity
1	Stainless Steel Bar 60" (1524 mm)	1
2	Nut Hex 10-24 Stainless	4
3	Screw FHCS 10-24x1.25 Stainless	4
4	Screw SHCS 10-24x5/8 Stainless	4
5	Stainless Steel Rear mounting Plate	2
6	Stainless Steel Shims	2
7	Washer Flat 10-24 .365 OD Stainless	4

1. Reference Segmented Transfer Plate IOM (X4064 & 6041) for full installation details. This sheet is only to guide the installation of the optional mounting hardware. Kit 56744 contains one 60" (1524 mm) stainless steel bar, two (2) stainless steel back plates and installation hardware. It is intended to replace all galvanized and painted metal parts.



2. Replace the indicated items with the new stainless steel components. All metal components of the STP (with the exception of the front plate) must be replaced with stainless steel parts. This includes the support bar, end plates and hardware (fasteners, washers, shims).

3. Use food grade anti seize on all threaded joints.

Patents: www.flexco.com/patents

Visit www.flexco.com for other Flexco locations and products, or to find an authorized distributor.