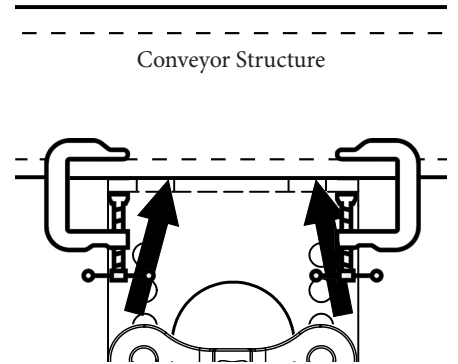
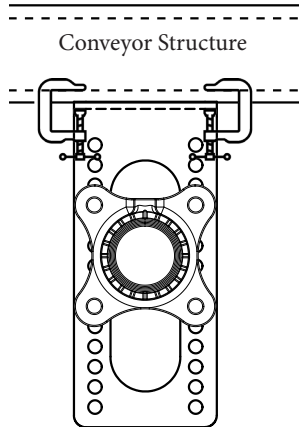
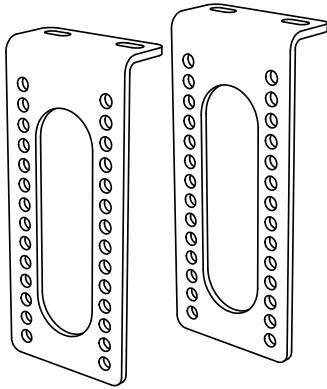


FGP Secondary Position Angle Bracket (Kit 56739)

Instructions for Installation

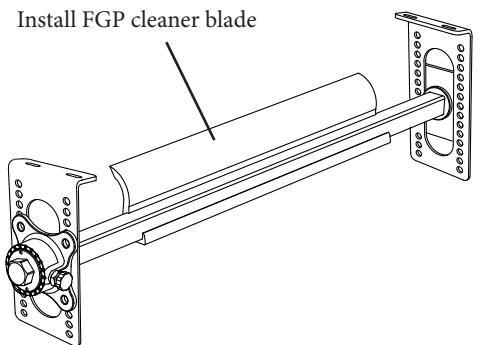
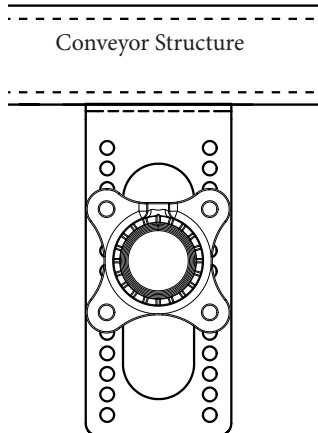
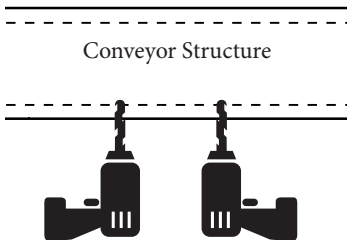
Kit 56739 is intended for FGP installations where the food grade pre-cleaner must be mounted as a secondary cleaner under the conveyor structure. When using the FGP as a secondary cleaner, it is necessary to have a support roller installed near the FGP blade contact point. The absence of a support roller will diminish the effectiveness of the cleaner. Refer to IOM X3646 for technical details regarding the assembly and operation of the FGP cleaner.



1. Make sure the area where the brackets will be installed is clear of obstructions. The brackets must be installed on a flat surface under the conveyor, preferably on a solid flange.

2. Assemble the FGP cleaner to the mounting brackets and clamp it to the conveyor belt structure in the final position where the cleaner will operate.

3. Trace the hole locations of the brackets with an indelible ink marker. Remove the full assembly and prepare the surface for drilling.



4. Verify that there are no obstructions behind the structure. Back drill two pilot holes first, then enlarge them with a 11/32" (8.5 mm) drill bit.

5. Install the brackets and the FGP cleaner together, using FDA-approved 13mm fasteners (not included in the kit). Tighten the fasteners until they seat fully against the metal, then turn 90°.

6. Install the plastic blade on the stainless steel pole and verify the belt to blade position. Refer to IOM X3646 to finish the installation.

Patents: www.flexco.com/patents

Visit www.flexco.com for other Flexco locations and products, or to find an authorized distributor.

