

FGP Food Grade Precleaner

USDA Certified Precleaner Meets Highest Standards for Industrial Baking Applications

The FGP Food Grade Precleaner from Flexco is the most effective food grade cleaner on the market at removing dough, flour, oils, frosting, and other sticky materials from the conveyor belt. And it is easy to install, maintain, and disassembles in a snap for regular cleaning, allergen cleansing, and sanitization. That means your pre-bake or post-bake lines can be up and running again fast. The FGP Precleaner works on any belt from 100mm to 1500mm and the blade is available in white, blue, metal detectable blue, and dual durometer metal detectable blue FDA-approved food grade materials.



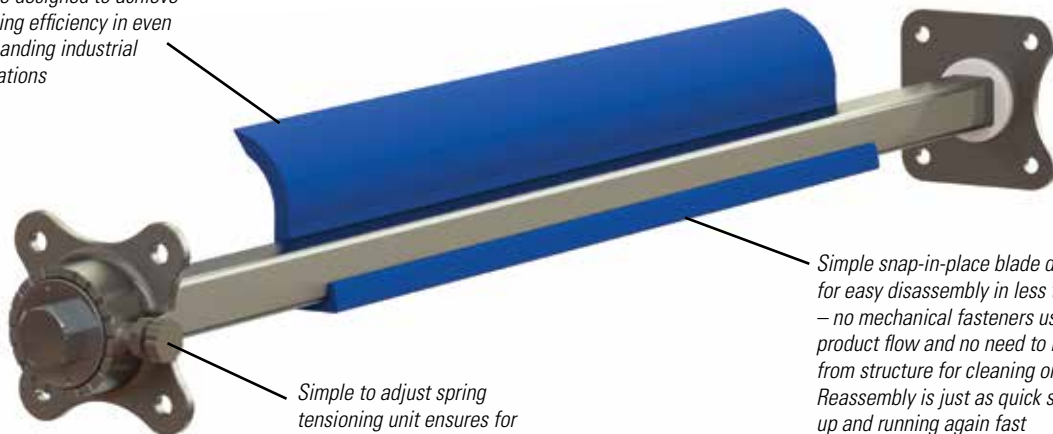
Cleaner blades are available in blue, white, dual durometer metal detectable blue, and metal detectable blue



The FGP Precleaner is:

- Made from FDA approved materials
- USDA certified
- Compliant with EU 1935/2004 Food Contact Regulation
- Accepted by Health Canada

Cleaning blade designed to achieve optimal cleaning efficiency in even the most demanding industrial baking applications



Simple to adjust spring tensioning unit ensures for maximum cleaning benefits

Simple snap-in-place blade design allows for easy disassembly in less than a minute – no mechanical fasteners used in the product flow and no need to remove cleaner from structure for cleaning or replacement. Reassembly is just as quick so your line is up and running again fast

Features and Benefits:

- **Minimal hardware** so installation, tensioning, and blade replacement are easy.
- **Simple design** with stainless steel components and food grade materials limit crevices and opportunities for bacteria growth.
- **Easily tensioned** to minimize blade wear, eliminate belt damage, and maximize cleanability.
- **Optional metal detectable blue blade** for additional protection against food contamination.
- **Dual durometer blade** with metal detectable tip for uneven or soft cover belts.
- **Available in standard blade widths** for belts from 300 mm to 1500 mm. Blades can be cut down to appropriate length.
- **Compatible** with endless and mechanical splices. Suitable for use on modular belting.



Patents: www.flexco.com/patents

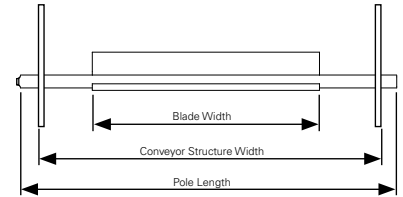
www.flexco.com



FGP Food Grade Precleaner

Specifications:

- **Temperature Range**
UHMW:
-29°C to 60°C
Dual Durometer:
(0°C to 60°C)
- **Blade Height**
76 mm
- **Blade Width Range**
102 to 1524 mm
- **Pole/Mounting Material**
304 Stainless Steel
- **Blade Hardness**
UHMW:
63D Shore Hardness
Urethane:
85A Shore Hardness
- **Pulley Diameter Range**
50 to 267 mm
- **Blade Material**
Food-grade UHMW, UHMW
with Stainless Steel, or
Urethane with PVC



How to choose the correct size blade for your conveyor.

1. Measure your belt width.
2. Choose the Blade Width that corresponds to your belt width.
3. Measure your conveyor width.
4. Verify the Maximum Conveyor Width shown in the selection chart is larger than your conveyor width. If your conveyor width is smaller than the maximum width shown, choose the next larger blade width that accommodates your conveyor width.
5. Blade and/or pole can be cut to users required length. Pole must be 50mm longer than the outside width of conveyor structure at the mounting location.

| Pole Lengths | | | | | | | | | |
|--------------|-----|-----------------------|-----|----------------------|-----|---|-----|---|-----|
| Pole Length | | Standard Blade Length | | Minimum Blade Length | | Minimum Conveyor Width at Cleaner Mounting Location | | Maximum Conveyor Width at Cleaner Mounting Location | |
| mm | in. | mm | in. | mm | in. | mm | in. | mm | in. |
| 610 | 24 | 305 | 12 | 229 | 9 | 279 | 11 | 556 | 22 |
| 813 | 30 | 457 | 18 | 229 | 9 | 356 | 14 | 708 | 28 |
| 965 | 36 | 610 | 24 | 229 | 9 | 508 | 20 | 861 | 34 |
| 1067 | 42 | 762 | 30 | 457 | 18 | 660 | 26 | 1013 | 40 |
| 1219 | 48 | 914 | 36 | 457 | 18 | 813 | 32 | 1165 | 46 |
| 1372 | 54 | 1067 | 42 | 457 | 18 | 965 | 38 | 1318 | 52 |
| 1524 | 60 | 1219 | 48 | 457 | 18 | 1118 | 44 | 1470 | 58 |
| 1676 | 66 | 1372 | 54 | 457 | 18 | 1270 | 50 | 1623 | 64 |
| 1829 | 72 | 1524 | 60 | 457 | 18 | 1422 | 56 | 1775 | 70 |

*Pole length = blade length + 305 mm (12") on standard cleaners.

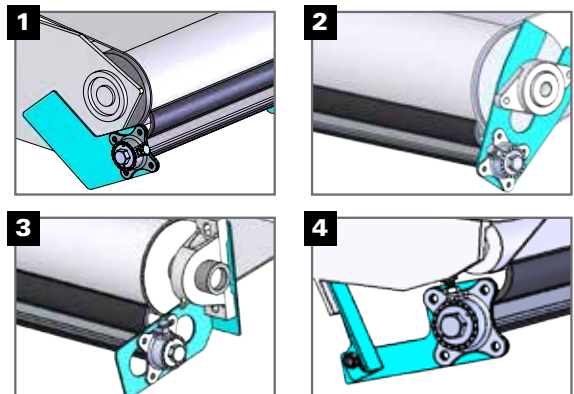
FGP Food Grade Precleaner

| Blade Width | | Maximum Conveyor Width | | Weight | | White Blade | | Blue Blade | | Blue Metal Detectable Blade | | Blue Dual Durometer Blade* | |
|-------------|-----|------------------------|-----|--------|------|-----------------|-----------|-----------------|-----------|-----------------------------|-----------|----------------------------|-----------|
| mm | in. | mm | in. | kg. | lbs. | Ordering Number | Item Code | Ordering Number | Item Code | Ordering Number | Item Code | Ordering Number | Item Code |
| 305 | 12 | 559 | 22 | 3.0 | 6.7 | FGP-W3-12 | 56009 | FGP-BL3-12 | 56000 | FGP-MD3-12 | 56027 | FGP-MDDD3-12 | 56018 |
| 457 | 18 | 711 | 28 | 3.5 | 7.7 | FGP-W3-18 | 56010 | FGP-BL3-18 | 56001 | FGP-MD3-18 | 56028 | FGP-MDDD3-18 | 56019 |
| 610 | 24 | 864 | 34 | 3.9 | 8.6 | FGP-W3-24 | 56011 | FGP-BL3-24 | 56002 | FGP-MD3-24 | 56029 | FGP-MDDD3-24 | 56020 |
| 762 | 30 | 1016 | 40 | 4.3 | 9.5 | FGP-W3-30 | 56012 | FGP-BL3-30 | 56003 | FGP-MD3-30 | 56030 | FGP-MDDD3-30 | 56021 |
| 914 | 36 | 1168 | 46 | 4.8 | 10.5 | FGP-W3-36 | 56013 | FGP-BL3-36 | 56004 | FGP-MD3-36 | 56031 | FGP-MDDD3-36 | 56022 |
| 1067 | 42 | 1321 | 52 | 5.2 | 11.5 | FGP-W3-42 | 56014 | FGP-BL3-42 | 56005 | FGP-MD3-42 | 56032 | FGP-MDDD3-42 | 56023 |
| 1219 | 48 | 1473 | 58 | 5.6 | 12.4 | FGP-W3-48 | 56015 | FGP-BL3-48 | 56006 | FGP-MD3-48 | 56033 | FGP-MDDD3-48 | 56024 |
| 1372 | 54 | 1626 | 64 | 6.0 | 13.3 | FGP-W3-54 | 56016 | FGP-BL3-54 | 56007 | FGP-MD3-54 | 56034 | FGP-MDDD3-54 | 56025 |
| 1524 | 60 | 1778 | 70 | 6.4 | 14.2 | FGP-W3-60 | 56017 | FGP-BL3-60 | 56008 | FGP-MD3-60 | 56035 | FGP-MDDD3-60 | 56026 |

*Dual durometer blade is not compliant with Health Canada or EU 1935/2004.

FGP Optional Mounting Brackets (Bolt or Weld)

| Description | Ordering Number | Item Code |
|------------------------|--------------------------|-----------|
| 1 Frame Mount | FGP-MOUNT-FRAME | 56585 |
| 2 Flange Bearing Mount | FGP-MOUNT-FLANGE-BEARING | 56586 |
| 3 Base Bearing Mount | FGP-MOUNT-BASE-BEARING | 56587 |
| 4 Two-Piece Mount | FGP-MOUNT-TWO-PIECE | 56588 |



Authorised Distributor: