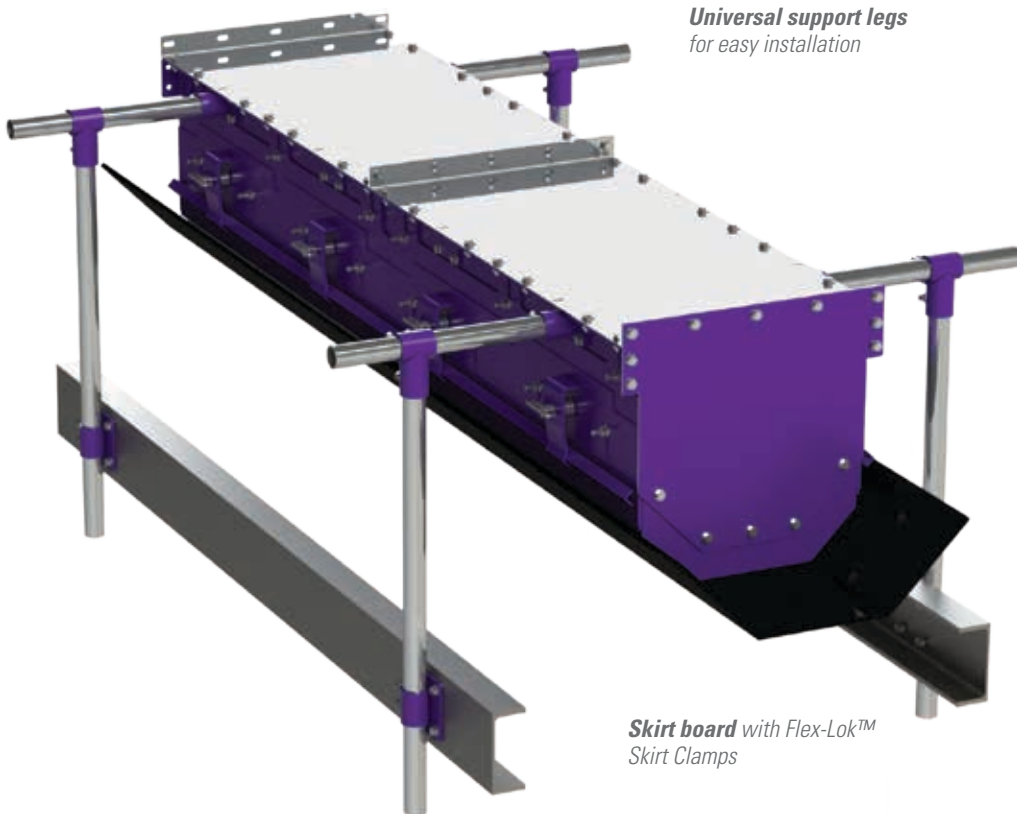


# Enclosed Skirt System

## Simple and Effective

Not all containment solutions should require complicated measuring and engineering. Standard skirting assemblies with adjustable mounting arrangements provide universal mounting and easy installation. Flexco's skirting is perfect for light to medium duty applications.

**Adjustable Liners**  
provide increased  
skirt liner-life



**Universal support legs**  
for easy installation

**Skirt board** with Flex-Lok™  
Skirt Clamps

### Features and Benefits:

- **Easy Installation.** Our skirt legs can be located anywhere along your stringer. With easy slip-on connectors, installing Standard Flexco Skirting Solutions is quick and easy.
- **Rubber Sealing Options.** Seal to your conveyor belt using one of two Flexco rubber sealing options: vertical or tangential.
- **Dust Curtains.** Control air flow throughout the system to keep dust levels low.
- **Easy Maintenance.** Liners are externally replaceable and adjustable.
- **Customisable.** If the standard offering does not suit your application, it can be custom engineered to fit the job requirements. Flexco also offers varying material types to best suit your application.



Externally replaceable liners for easy maintenance

# Enclosed Skirt System

## Ordering Information

### SKIRT WALLS

Each skirt wall section comes with external adjustable and replacable liners. Skirting sections do not include required skirt rubber; purchase from local Flexco distribution. Skirt board liners are made with BISPLATE 450 and Mild Steel AS3678 Gr 350 as an alternate.

DESCRIPTION	WALL HEIGHT	MILD STEEL				STAINLESS STEEL			
		BISALLOY		GR350		BISALLOY		GR350	
		ITEM CODE	WT. KG.	ITEM CODE	WT. KG.	ITEM CODE	WT. KG.	ITEM CODE	WT. KG.
1200mm Straight Skirt Wall	350	66280	36.5	66288	36.5	66977	36.6	66981	36.6
	400	66281	39.3	66289	39.3	66978	39.5	66982	39.5
	450	66282	42.2	66290	42.2	66979	42.4	66983	42.4
	500	66283	45.1	66291	45.1	66980	45.3	66984	45.3
2400mm Straight Skirt Wall	350	66284	72.6	66292	72.6	66985	73.0	66989	73.0
	400	66285	78.4	66293	78.4	66986	78.7	66990	78.7
	450	66286	84.1	66294	84.1	66987	84.5	66991	84.5
	500	66287	89.8	66295	89.8	66988	90.2	66992	90.2
1200mm Tangential Skirt Wall	400	66268	42.5	66274	42.5	66812	42.7	66818	42.7
	450	66269	45.4	66275	45.4	66813	45.6	66819	45.6
	500	66270	48.3	66276	48.3	66814	48.4	66820	48.4
2400mm Tangential Skirt Wall	400	66271	84.7	66277	84.7	66815	85.1	66821	85.1
	450	66272	90.5	66278	90.5	66816	90.8	66822	90.8
	500	66273	96.2	66279	96.2	66817	96.6	66823	96.6

### SUPPORT LEGS

Maximum span between support legs is 2400mm and are of sufficient length to be attached to the conveyor channel or truss. Sold as two legs with a cross bar support.

Belt Width	Mild Steel	Stainless Steel	WEIGHT KG.
mm	ITEM CODE	ITEM CODE	
600	66350	66362	19.9
750	66351	66363	20.5
900	66352	66364	21.2
1050	66353	66365	24.0
1200	66354	66366	24.7
1350	66355	66367	25.5
1500	66356	66368	26.2
1600	66357	66369	29.2
1800	66358	66370	30.1
2000	66359	66371	31.0
2200	66360	66372	31.9
2400	66361	66373	32.8

### SKIRT COVER

Skirt covers seal over between skirt walls (codes below for steel versions, stainless steel and aluminum available on request).

BELT WIDTH		ITEM CODE
mm	in.	
600	24	66314
750	30	66315
900	36	66316
1050	42	66317
1200	48	66318
1350	54	66319
1500	60	66320
1650	66	66321
1800	72	66322
2000	80	66323
2200	84	66324
2400	96	66325

### DUST CURTAIN

Dust curtains can be located every 600mm, attaching to skirt wall (codes below for steel, stainless steel also available).

Belt Width	Mild Steel	Stainless Steel	WEIGHT KG.
mm	ITEM CODE	ITEM CODE	
600	66405	66416	3.0
750	66406	66417	3.2
900	66407	66418	4.4
1050	66408	66419	5.1
1200	66409	66420	5.7
1350	66410	66421	6.5
1500	66411	66422	7.2
1650	66412	66423	7.7
1800	66413	66424	8.6
2000	66414	66425	9.5
2200	66415	66426	10.5

Authorized Distributor:

Flexco (Aust.) Pty. Ltd • 10 Solent Circuit, Norwest • NSW, Australia, 2153 • Australia  
Tel: 612-8818-2000 • Fax: 612-8824-6333 • E-mail: salesau@flexco.com

Visit [www.flexco.com](http://www.flexco.com) for other Flexco locations and products.

©2019 Flexible Steel Lacing Company. 07/01/19. For reorder: X5866

