

MSP Standard Mine-Duty Precleaner

Economical and Effective Choice for Wood Handling

The MSP Standard-Duty Precleaner is a tough design that combines simple, do-it-yourself installation, quick maintenance and effective cleaning results with an affordable price tag. Install the MSP on belts carrying chips where dust is widespread to facilitate the capture of usable material and avoid material piles that create fire hazards. Stainless Steel components and Chemical-Resistant, High-Temp, or Ultra-High Temp blade options are available for belts carrying chips to the digester and lime to the kiln.



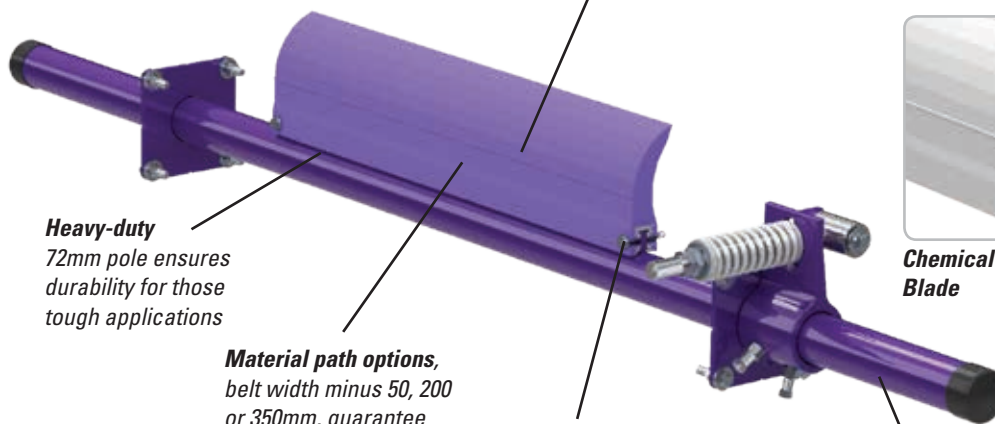
Faceted profile design results in continuous blade edge "renewal" for improved cleaning efficiency throughout the life of the blade

High strength aluminum extrusion

Molded-in wear line on all Flexco ConShear™ blades



Available with stainless steel components for superior corrosion resistance



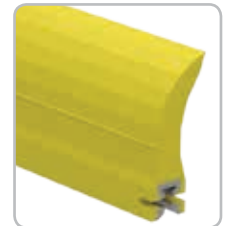
Heavy-duty
72mm pole ensures durability for those tough applications

Material path options, belt width minus 50, 200 or 350mm, guarantee proper cleaning and blade life

Simple blade replacement - no tools needed



Chemical-Resistant Blade



High-Temp Blade
135°C (with spikes to 160°C)



Ultra High-Temp Blade
200°C (with spikes to 230°C)



Quick Mount Tensioner (QMT) allows the blade tension to be visually inspected

Features and Benefits

- **Quick-change blade.** No tools are needed. Just pull one pin, remove the old blade, slide in the new one and replace the pin.
- **Works with Flexco and other mechanical splices.** The spring tensioner quickly moves the blade away from the belt when a splice passes. The polyurethane blade easily glides over the splice without damage and with minimal cleaning disruption.
- **Easy to service.** All maintenance work is done from the easy-access side of the beltline. Blade retensioning and change-out are quick and easy.
- **Fits most conveyor structures.** Available for belt widths from 600 to 2100mm. The MSP poles are extra long (belt width plus 1350mm) to accommodate varying structure widths.

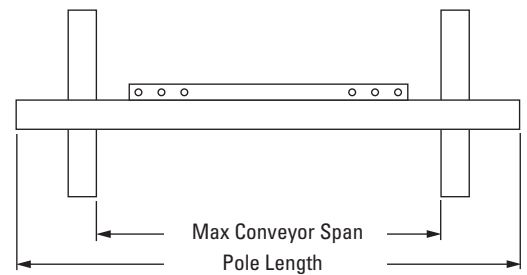
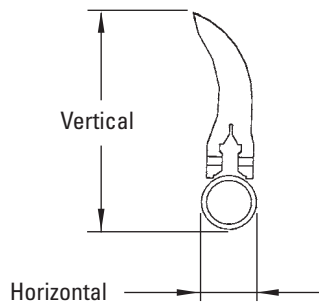
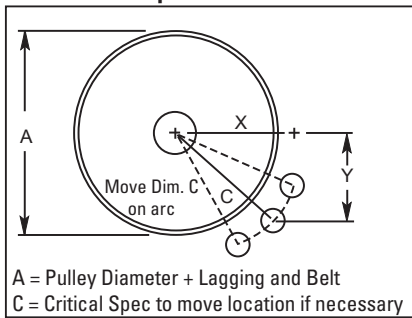
MSP

Standard Mine-Duty Precleaner

Specifications and Guidelines

- Maximum Belt Speed**
3.5 m/s
- Temperature Rating**
Purple/White: -35°C to 82°C
Yellow: -35°C to 135°C
Spikes to 160°C
Red: -35°C to 200°C
Spikes to 230°C
- Minimum Pulley Diameter**
400mm
- Blade Height**
185mm
- Usable Blade Wear Length**
100mm
- Blade Material**
Purple/White: Polyurethane 83 durometer
Yellow: Polyurethane 93 durometer
Red: Ultra High-Temp Polyurethane 90 durometer
- Available for Belt Widths**
600 to 2100mm)
- CEMA Cleaner Rating**
Class 3
- Horizontal Clearance Required**
100mm
- Vertical Clearance Required**
254mm
- Pole Length**
Cleaner size +1350mm
- Maximum Conveyor Span**
Cleaner size +1100mm

Pole Location Specs



Pole Location Chart

A	X	Y	C	A	X	Y	C	A	X	Y	C
400	204	305	367	625	314	230	390	850	446	230	501
425	218	305	375	650	330	230	402	875	460	230	514
450	231	305	383	675	346	230	415	900	474	230	526
475	244	305	390	700	360	230	427	925	488	230	539
500	259	305	400	725	374	230	439	950	502	230	552
525	274	305	410	775	389	230	452	975	516	230	565
550	288	305	419	775	403	230	464	1000	529	230	576
575	300	305	428	825	417	230	477	1025	542	230	589
600	315	305	438	825	432	230	489	1050	557	230	602

Ordering Information

MSP Standard-Duty Precleaner
Belt Width Minus 2"

Belt Width	Blade Width	Ordering Number	Item Code
mm	mm		
600	550	MSP-224	75787
750	700	MSP-230	75788
900	850	MSP-236	75789
1050	1000	MSP-242	75790
1200	1150	MSP-248	75791
1350	1300	MSP-254	75792
1500	1450	MSP-260	75793
1800	1750	MSP-272	75794
2100	2050	MSP-284	76796

MSP Standard-Duty Precleaner
Belt Width Minus 8"

Belt Width	Blade Width	Ordering Number	Item Code
mm	mm		
600	400	MSP-824	75795
750	550	MSP-830	75796
900	700	MSP-836	75797
1050	850	MSP-842	75798
1200	1000	MSP-848	75799
1350	1150	MSP-854	75800
1500	1300	MSP-860	75801
1800	1600	MSP-872	75802
2100	1900	MSP-884	76797

Replacement ConShear™ Blades

Blade Width	Ordering Number	Item Code
mm		
10	CRB10	75628
16	CRB16	75629
22	CRB22	75630
28	CRB28	75631
34	CRB34	75632
40	CRB40	75633
46	CRB46	75634
52	CRB52	75635
58	CRB58	75636
64	CRB64	75775
70	CRB70	75773
76	CRB76	76940
82	CRB82	76941

Other blade sizes available upon request.

Ordering information shown is for the standard mild steel MSP with purple blade.
Contact your Flexco distributor or visit www.flexco.com for other cleaner/blade options.

Authorized Distributor: