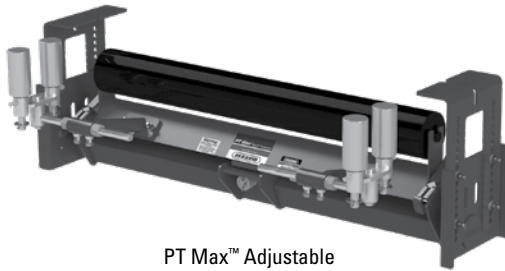


PT Max™ Adjustable Belt Trainer

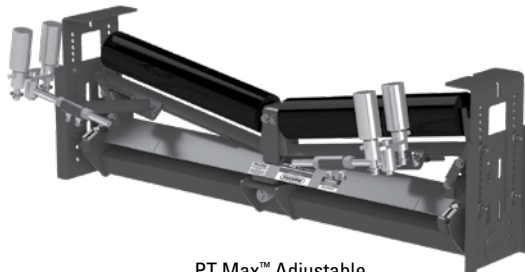
Installation, Operation and Maintenance Manual



PT Max™ Adjustable
Top Side



PT Max™ Adjustable
Return Side



PT Max™ Adjustable
V-Return

PT Max™ Adjustable Belt Trainer

Serial Number: _____
Purchase Date: _____
Purchased From: _____
Installation Date: _____

Serial number information can be found on the Serial Number Label located on the top frame of the unit.

This information will be helpful for any future inquiries or questions about belt cleaner replacement parts, specifications or troubleshooting.

Table of Contents

Section 1 - Important Information	4
1.1 General Introduction.....	4
1.2 User Benefits	4
1.3 Proper Belt Trainer Selection.....	5
Section 2 - Safety Considerations and Precautions	6
2.1 Stationary Conveyors.....	6
2.2 Operating Conveyors.....	6
Section 3 - Pre-Installation Checks and Options.....	7
3.1 Checklist.....	7
3.2 Optional Installation Accessories.....	7
Section 4 - Installation Instructions.....	8
Section 5 - Pre-Operation Checklist and Testing.....	12
5.1 Pre-Op Checklist.....	12
5.2 Test Run the Conveyor	12
Section 6 - Maintenance.....	13
6.1 New Installation Inspection.....	13
6.2 Routine Visual Inspection.....	13
6.3 Routine Physical Inspection	13
6.4 Idler Replacement Instructions.....	14
6.5 Sensor Roller Replacement Instructions.....	15
6.6 Maintenance Log.....	16
6.7 Maintenance Checklist	17
Section 7 - Troubleshooting	18
Section 8 - Specs and CAD Drawings.....	19
8.1 CAD Drawing - PT Max™ Adjustable Top Side.....	19
8.2 CAD Drawing - PT Max Adjustable Top Side HD	20
8.3 CAD Drawing - PT Max Adjustable Return.....	21
8.4 CAD Drawing - PT Max Adjustable Return HD.....	22
8.5 CAD Drawing - PT Max Adjustable V-Return	23
8.6 CAD Drawing - PT Max Adjustable V-Return HD.....	24
Section 9 - Replacement Parts	25
9.1 Replacement Parts List	25
Section 10 - Other Flexco Conveyor Products	27

Section 1 - Important Information

1.1 General Introduction

We at Flexco are very pleased that you have selected a PT Max™ Adjustable Belt Trainer for your conveyor system.

This manual will help you to understand the installation, operation and maintenance of this product and assist you in making it work up to its maximum efficiency over its lifetime of service.

It is essential for safe and efficient operation that the information and guidelines presented be properly understood and implemented. This manual will provide safety precautions, installation instructions, maintenance procedures and troubleshooting tips. In addition, please follow all standard, approved safety guidelines when working on your conveyor.

If, however, you have any questions or problems that are not covered, please visit our web site or contact our Customer Service Department:

Customer Service: 612-8818-2000

Visit www.flexco.com for other Flexco locations and products.

Please read this manual thoroughly and pass it on to any others who will be directly responsible for installation, operation and maintenance of this belt trainer. While we have tried to make the installation and service tasks as easy and simple as possible, **this product does however require correct installation and regular inspection and maintenance to maintain top working condition.**

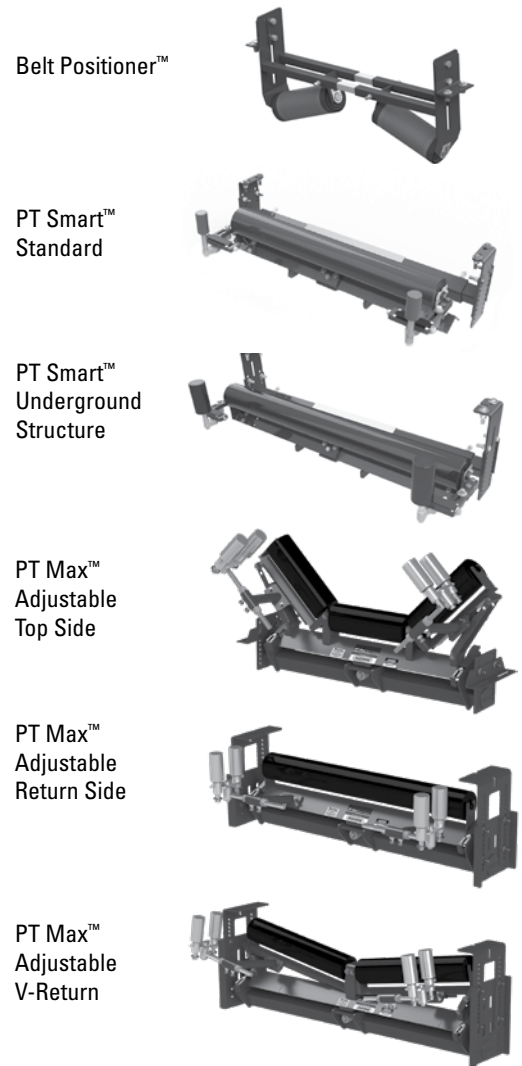
1.2 User Benefits

Belt mistracking is a common problem that produces various problems, ranging from belt and structure damage to product spillage and safety issues. By utilising the PT Max Adjustable, it is possible to correct a belt that is mistracking and causing these problems. Multiple units may be required depending on the length of the mistracking belt.

Section 1 - Important Information

1.3 Proper Belt Trainer Selection

MODEL	APPLICATION RANGE
Belt Positioner™	Return side only, 140 n/mm (800 PIW) max tension on Small, Medium and Large; 210 n/mm (1200 PIW) max tension on Extra Large. Also works on reversing belts.
PT Smart™	Medium-duty belts up to 280 n/mm (1600 PIW) max tension. Belt width + 75mm (3") idler. Belt thickness 25mm (1") maximum.
PT Smart™ Underground	Medium-duty belts up to 280 n/mm (1600 PIW) max tension. Belt width + 225mm (9") idler. Belt thickness 25mm (1") maximum. Fits underground structure.
PT Max™ Adjustable Top Side	Heavy-duty belts up to 525 n/mm (3000 PIW) max (generally over 19mm (3/4") thick). Belt width 900 - 1500mm (36" - 60").
HD PT Max™ Adjustable Top Side	Heavy-duty belts up to 1050 n/mm (6000 PIW) max tension. Belt width 1350 - 2100mm (54" - 84").
PT Max™ Adjustable Return Side and V-Return	Heavy-duty, higher tension belts up to 525 n/mm (3000 PIW) max. (generally up to 25mm (1") thick). Belt width 900 - 1500mm (36" - 60").
HD PT Max™ Adjustable Return Side and V-Return	Heavy-duty belts up to 1050 n/mm (6000 PIW) max tension. Belt width 1350 - 2100mm (54" - 84").



CONVEYOR CRITERIA	BELT POSITIONER™	PT SMART™	PT SMART™ UNDERGROUND	PT MAX™ ADJUSTABLE TOP SIDE	HD PT MAX™ ADJUSTABLE TOP SIDE	PT MAX™ ADJUSTABLE RETURN SIDE and V-RETURN	HD PT MAX™ ADJUSTABLE RETURN SIDE and V-RETURN
Top side mistracking	NO	NO	NO	YES	YES	NO	NO
Return side mistracking	YES	YES	YES	NO	NO	YES	YES
Belt mistracking to one side	EXCELLENT	EXCELLENT	EXCELLENT	EXCELLENT	EXCELLENT	EXCELLENT	EXCELLENT
Belt mistracking to both sides	POOR	EXCELLENT	EXCELLENT	EXCELLENT	EXCELLENT	EXCELLENT	EXCELLENT
Inconsistent tracking problem	GOOD	EXCELLENT	EXCELLENT	EXCELLENT	EXCELLENT	EXCELLENT	EXCELLENT
Belt is cupped (heavy)	GOOD	GOOD	GOOD	EXCELLENT	EXCELLENT	GOOD	GOOD
Belt has low running tension	POOR	EXCELLENT	EXCELLENT	GOOD	GOOD	GOOD	GOOD
Belt has medium running tension	GOOD	EXCELLENT	EXCELLENT	EXCELLENT	EXCELLENT	EXCELLENT	EXCELLENT
Belt has high running tension	GOOD	GOOD	GOOD	EXCELLENT	EXCELLENT	EXCELLENT	EXCELLENT
Approx. "upstream" effect*	15 m (50')	6 m (20')	6 m (20')	6 m (20')	6 m (20')	6 m (20')	6 m (20')
Approx. "downstream" effect*	15 m (50')	36 - 45 m (120' - 150')	36 - 45 m (120' - 150')	45 - 61 m (150' - 200')	45 - 61 m (150' - 200')	45 - 61 m (150' - 200')	45 - 61 m (150' - 200')

*Typical results; actual results may vary

*Disk idlers have the potential to reduce these numbers

Section 2 - Safety Considerations and Precautions

Before installing and operating the PT Max™ Adjustable Belt Trainer, it is important to review and understand the following safety information.

There are setup, maintenance and operational activities involving both **stationary** and **operating** conveyors. Each case has a safety protocol.

2.1 Stationary Conveyors

The following activities are performed on stationary conveyors:

- Installation
- Skirt rubber adjustments
- Impact bar replacement
- Cleaning
- Repairs

DANGER

It is imperative that OSHA/MSHA Lockout/Tagout (LOTO) regulations be followed before undertaking the preceding activities. Failure to use LOTO exposes workers to uncontrolled behavior of the belt trainer caused by movement of the conveyor belt or belt trainer. Severe injury or death can result.

Before working:

- Lockout/Tagout the conveyor power source
- Clear the conveyor area where work is to take place

WARNING

Use Personal Protective Equipment (PPE):

- Safety eyewear
- Hardhats
- Safety footwear

Close quarters and heavy components create a worksite that compromises a worker's eyes, feet and skull. PPE must be worn to control the foreseeable hazards associated with conveyor belt components. Serious injuries can be avoided.

2.2 Operating Conveyors

There are two routine tasks that must be performed while the conveyor is running:

- Inspection of belt trainer performance
- Dynamic troubleshooting

DANGER

Every belt conveyor is an in-running nip hazard. Never touch or prod an operating belt trainer. Conveyor hazards cause instantaneous amputation and entrapment.

WARNING

Conveyors contain moving hazards. Stay as far from the trainer as practical and use safety eyewear and headgear.

WARNING

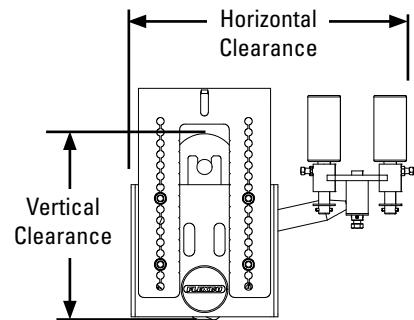
Never adjust anything on an operating belt trainer. Flailing hardware can cause serious injury or death.

Section 3 - Pre-installation Checks and Options

3.1 Checklist

- Check the model and size of the belt trainer. Is it the right one for your beltline?
 1. If using a return-side trainer, verify the trainer is the correct choice for the belt. Flat return trainers are only effective on flat return belts. For V-returns, contact Flexco.
- Check the PT Max™ Adjustable to be sure all the parts are included in the shipment.
 1. Trainer
 2. Rollers
 3. Mounting hardware
 4. Instruction kit
- Review the “Tools Needed” section on the front of the installation instructions.
- Prepare the conveyor site:
 1. Identify the point(s) of mistracking, expecting 45–61 m (150’–200’) of downstream influence.
 2. Position the unit 6.1 m (20’) after the start of the mistracking.
 3. Identify an opening per clearance dimensions pictured below.
 4. Remove any existing tracking devices that fall in the estimated tracking range.
 5. If the conveyor has disc idlers, replace one idler before and one idler after the location where the trainer will be installed with a standard idler.

Horizontal Clearance	Standard Duty		Heavy Duty	
	900 - 1200mm	1250 - 1500mm	1250 - 1500mm	1800 - 2100mm
Return/Top/V-Return	838mm	940mm	965mm	1321mm
Vertical Clearance	Standard Duty		Heavy Duty	
Return/Top	432mm		508mm	
V-Return	457mm		521mm	

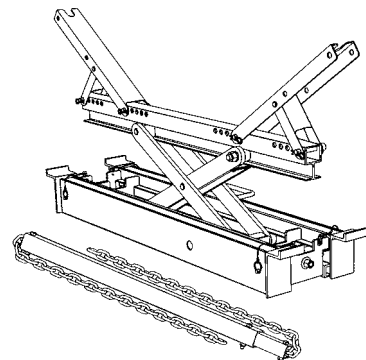


3.2 Optional Installation Accessories

Optional tools can make the installation of the PT Max™ Adjustable Belt Trainer easier and faster.

Flex-Lifter™ Conveyor Belt Lifter

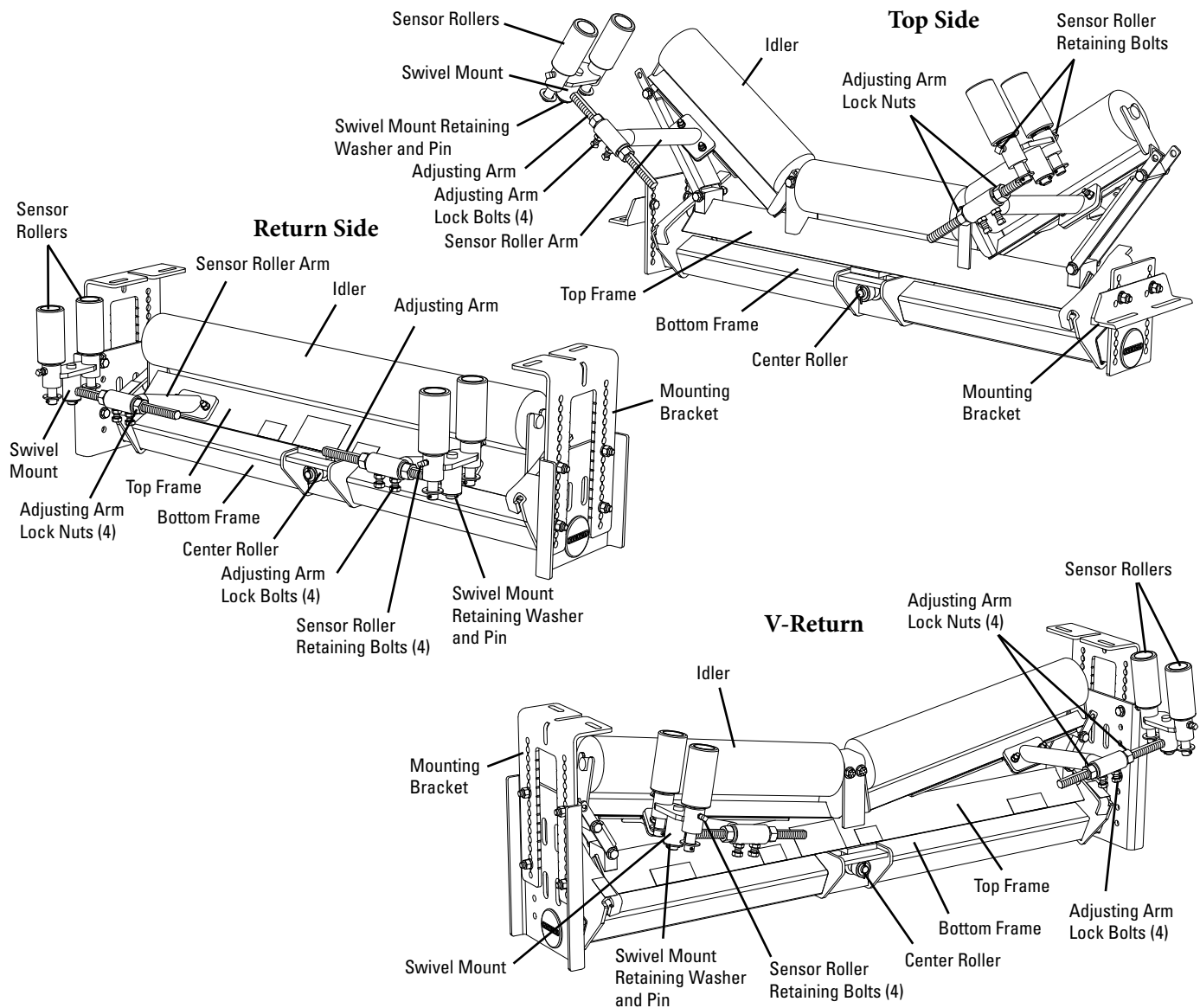
Description	Ordering Number	Item Code
Medium Flex-Lifter 900 - 1500mm (36" - 60")	FL-M	76469
Large Flex-Lifter 1200 - 1800mm (48" - 72")	FL-L	76470
XL Flex-Lifter 1800 - 2400mm (72" - 96")	FL-XL	76983



Flex-Lifter™ Conveyor Belt Lifter

The Flexco Flex-Lifter makes the job of lifting the conveyor belt easy and safe. Using two Flex-Lifters, the belt can be quickly lifted out of the way to install the PT Max™ Adjustable. The Flex-Lifter has the highest safe lift rating available at 1810 kg. (4000 lbs.) for Medium and Large, and 2750 kg. (6000 lbs.) for XL. And it's versatile. It can also be used to lift topside or return side belt for splicing, idler replacement or other maintenance jobs. Available in three sizes: Medium for belt widths 900 - 1500mm (36"-60"), Large for belt widths 1200 - 1800mm (48"-72"), and XL for belt widths 1800 - 2400mm (72"-96").

Section 4 - Installation Instructions - PT Max™ Adjustable



Physically lock out and tag the conveyor at the power source before you begin cleaner installation.

Before You Begin:

- These instructions are designed to be used when installing either the Top Side, Return Side, or V-Return models.
- A serial number label is located on the top frame of the unit. Please use this number in any correspondence.
- The PT Max™ Adjustable has been purposely designed with a much heavier construction than conventional tracking devices. It is, in most cases, TOO HEAVY to manage manually. Please use the necessary mechanical lifting equipment (crane, come-alongs, etc.) for safe installation.
- The trainer should not be positioned closer than 6 m (20') from the tail pulley, take-up pulleys, or head pulley.
- Follow all safety precautions when using a cutting torch.

Tools Needed:

- Tape Measure
- 24mm (15/16") Wrench
- 29mm (1-1/8") Wrench
- Medium or Large Adjustable Wrench
- (2) Pipe Wrenches
- Cutting Torch
- (2) Come-Alongs (3/4 Ton Minimum)
- Any necessary equipment for moving and lifting heavy components

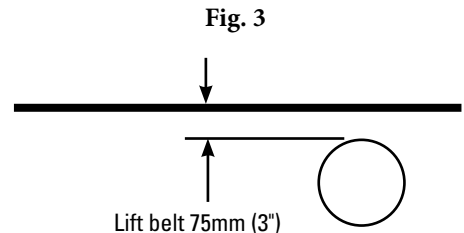
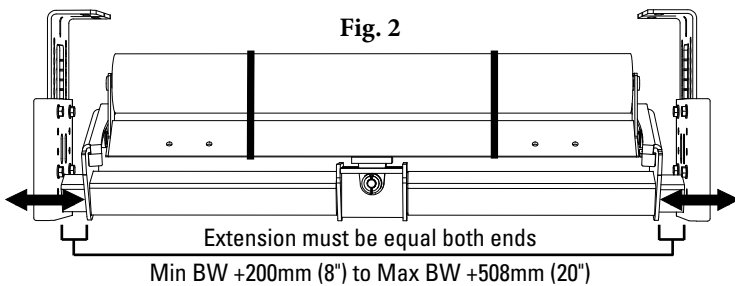
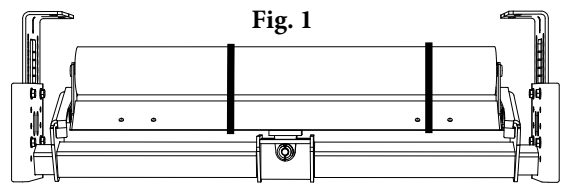
Section 4 - Installation Instructions

Conveyor Site Preparation

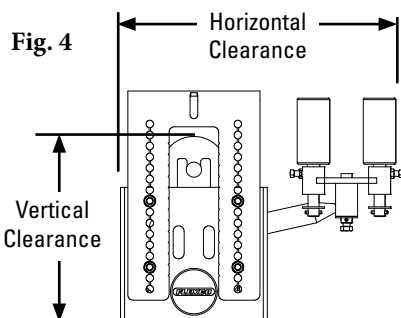
1. Identify the point(s) of mistracking, expecting 45–60 m (150–200') of downstream influence.
2. Position the unit 6 m (20') after the start of the mistracking.
3. Identify an opening of at least 508mm (20") for Standard model, or 546mm (21-1/2") for HD model.
4. Remove any existing tracking devices that fall in the estimated tracking range of the PT Max™ Adjustable. Multiple different tracking devices may reduce or prevent the PT Max Adjustable from tracking as intended. This also includes disc idlers.

PT Max™ Adjustable Preparation and Installation on the Conveyor

1. Remove the sensor roller assemblies from the box. Pull the components out of the box and set aside for installation after the unit is installed on the conveyor.
2. Ensure idlers are secured in the unit. Do not remove plastic ties from idlers yet. Failure to ensure the idlers are secure may result in serious injury if an idler falls out (Fig. 1).
3. Adjust/telescope extending brackets to match width of structure. The PT Max will arrive with a measurement from CEMA standards (belt width +225mm/9"). After measuring the structure, slide extending bracket horizontally until mounting brackets are in line with your structure width. A square head set screw on the inside of the base frame is provided to tighten extending bracket. Ensure mainframe is centred within 3mm (1/8") on the extending brackets (equal length of extenders showing on both sides (Fig. 2). Please note the minimum/maximum extension below.



4. Lift the belt where the trainer will be installed. At the site where the trainer will be installed, lift the belt 75mm (3") off the rollers that will be replaced (Fig. 3). **CAUTION:** Some lifting equipment or tools may be required depending upon the weight of the belt.
5. Remove existing idler. Unbolt the return roller and mounting brackets and remove it from the conveyor. **NOTE:** If the conveyor has disc idlers, replace one idler before and one idler after the location where the trainer will be installed. Disc idlers can negatively impact the performance of the PT Max Adjustable's pivot/tilt function.
6. Verify clearance for the lower sections of the PT Max Adjustable where it is to be located on the conveyor (Fig. 4). With site engineer's approval, remove any obstructions such as structure supports or separation pans.



Horizontal Clearance	Standard Duty		Heavy Duty	
	900 - 1200mm	1250 - 1500mm	1250 - 1500mm	1800 - 2100mm
Return/Top/V-Return	838mm	940mm	965mm	1321mm
Vertical Clearance	Standard Duty		Heavy Duty	
Return/Top	432mm		508mm	
V-Return	457mm		521mm	

Section 4 - Installation Instructions

- 7. Move the unit into position on the conveyor.** Locate the trainer on the conveyor where the idler was removed. Check that the belt direction labels are pointing in the direction of belt travel. The design of the mounting brackets offers a variety of installation options.
- 8. Secure the PT Max Adjustable unit to the conveyor structure.** Square and centre the unit with the structure. Secure the unit to the structure with mounting bolts, lock washers and nuts, and tighten. Remove plastic ties from all idlers.
- 9. Determine the roll height or drop of leading and trailing idler.** Using the adjustable mounting brackets, alter the height of the unit to provide 13 to 25mm (1/2" to 1") lift on the belt (Fig. 5). Lifting the belt higher can restrict pivot/tilt movement.

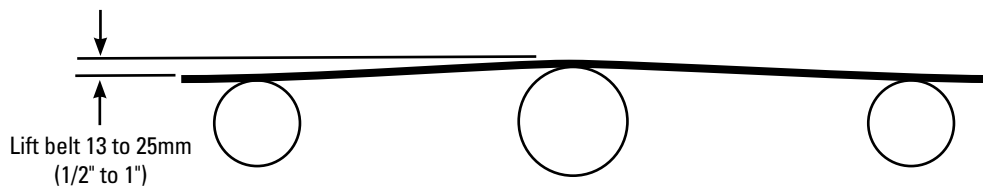
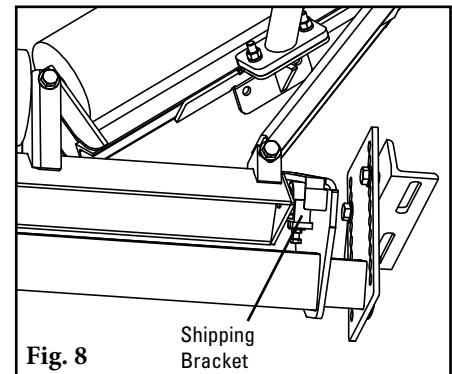
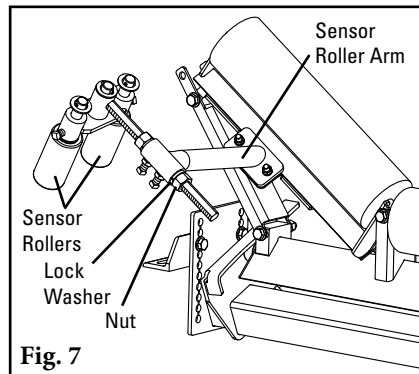
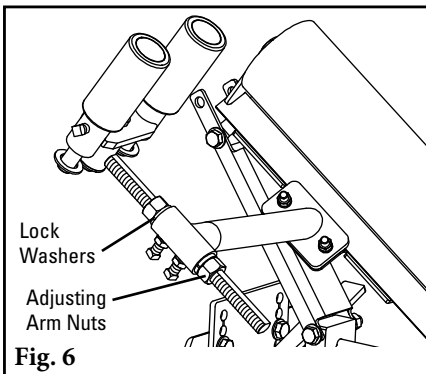


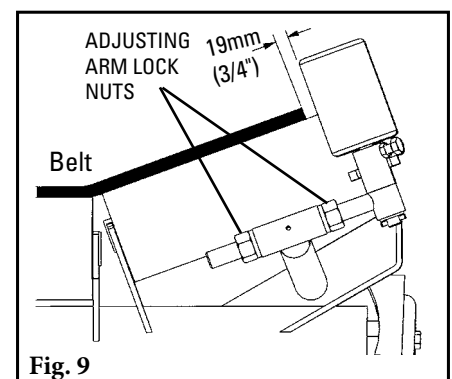
Fig. 5

- 10. Lower the belt onto the trainer.**
- 11. Insert sensor rollers into the unit.** Insert the sensor roller assemblies into the sensor roller arms in the working (outward) position (Fig. 6). Assemble the lock washers and nuts finger tight, allowing the sensor rollers to hang down (Fig. 7).
- 12. Remove shipping lock bracket from base frame (Fig. 8).** Failure to do so will prevent the trainer from functioning as intended.



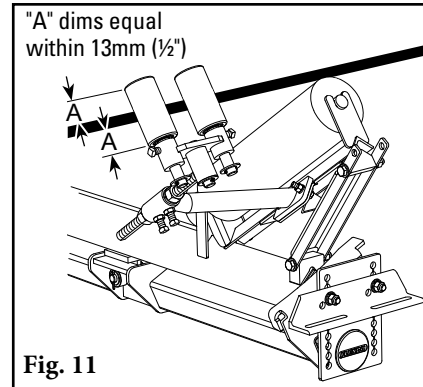
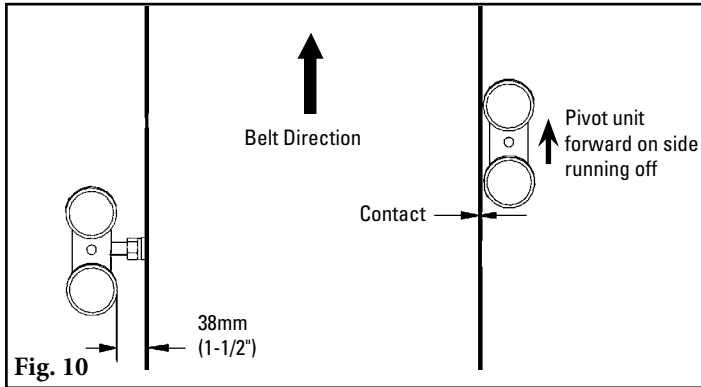
- 13. Check for clearance as the unit moves.** Pivot the unit in both directions to ensure there are no obstructions to its movement. **Note:** Unit may be difficult to move manually due to the weight of the belt.
- 14. Adjust unit to the belt.** **Note:** Final adjustments of the trainer to the beltline depend on where the belt is currently running on the structure. If the belt is running centred on the structure see Option 1; if it is not centred on the structure use the adjustment steps in Option 2.

Option 1 (Belt centred on structure): Position the sensor rollers to the belt edges. Rotate the sensor rollers into the upright position and adjust to 19mm (3/4") from the belt edges by using the adjusting arm nuts (Fig. 9).



Section 4 - Installation Instructions

Option 2 (Belt not centred on structure): Pivot the unit forward on the side the belt is running off. Rotate the sensor rollers into the upright position and adjust the adjusting arms so the sensor rollers on the side running off are just touching the belt edge and the opposite side sensor rollers have a 38mm (1-1/2") clearance gap (Fig. 10).

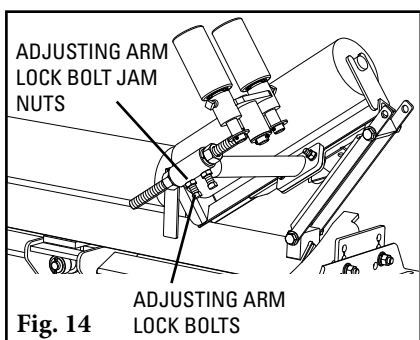
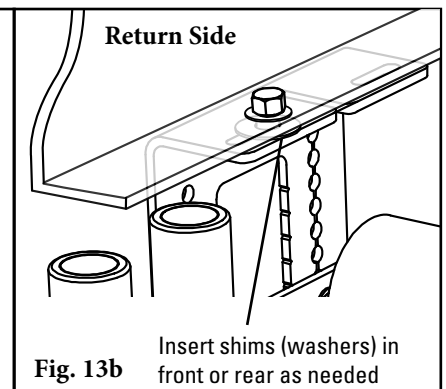
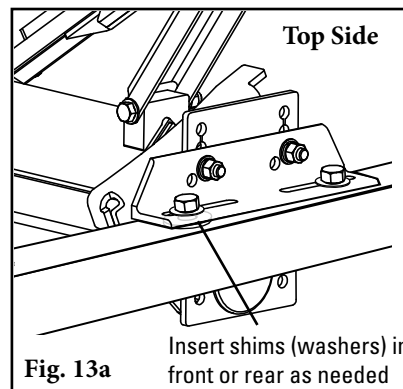
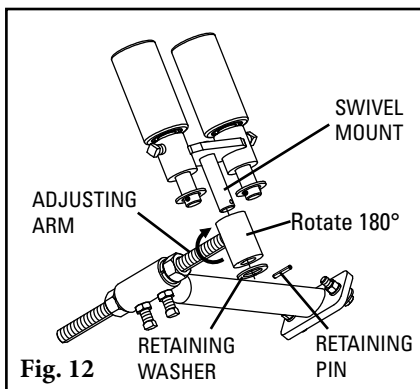


16. Check the belt's running location on the face of the sensor rollers. For maximum results, the belt's line of travel must be centred on the face of the sensor rollers within 13mm (1/2") (Fig. 11).

If the belt is not centred:

Option A. Lower the sensor rollers to centre on the belt, or for more clearance if needed (this will lower the sensor rollers 25mm (1")), remove the swivel mount retaining pin and retaining washer and slide the swivel mount out of the adjusting arm. Rotate the adjusting arm 180° and reinsert the swivel mount, retaining washers and retaining pin (Fig. 12).

Option B. Shim the unit to lower or raise the sensor rollers in relation to the belt. Insert shims (washers or other material—not supplied) under either the front or rear mounting bracket on both sides of the unit (Fig. 13).



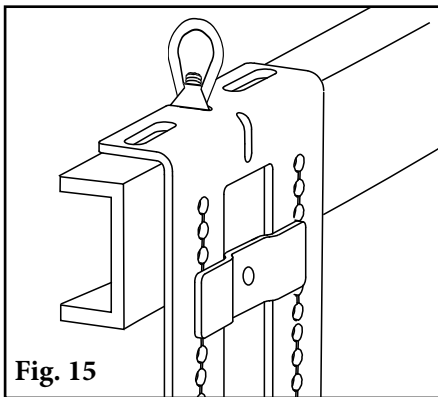
17. Lock the adjusting arms in place (Fig. 14). Once the training path has been set and confirmed, loosen the adjusting arm lock bolt jam nuts and tighten the adjusting arm lock bolts. Re-tighten the adjusting arm lock bolt jam nuts. Repeat on opposite side.

18. Run the conveyor to verify the training results. If adjustment is needed, adjust one set of sensor rollers in and the opposite side out an equal amount. **NOTE:** If the conveyor has disc idlers, the belt may not get the full downstream tracking effect.

Section 4 - Installation Instructions

Underground Mounting Instructions

19. To attach mounting brackets to 4" or 5" channel structure, use included J-bolt plates as shown (customer supplied J-bolt). (Fig. 15).



Section 5 - Pre-Operation Checklist and Testing

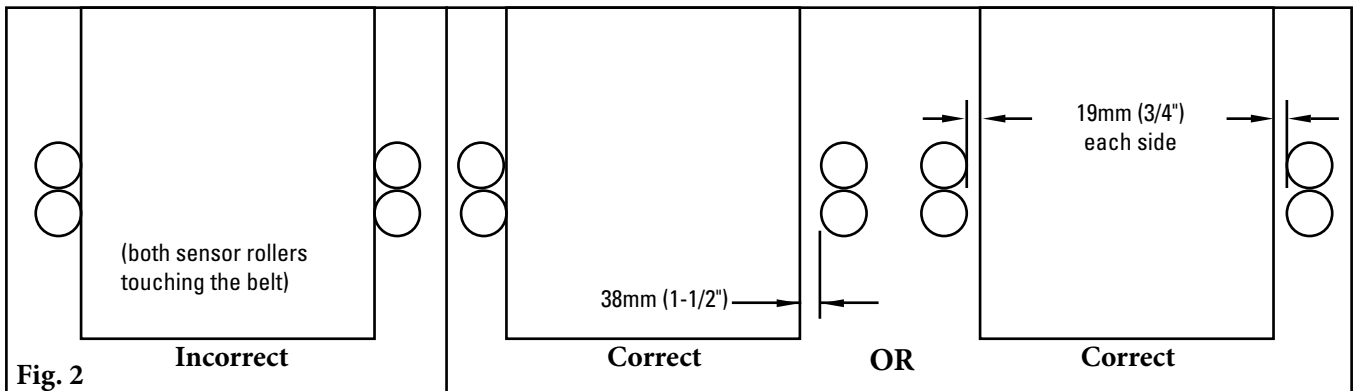
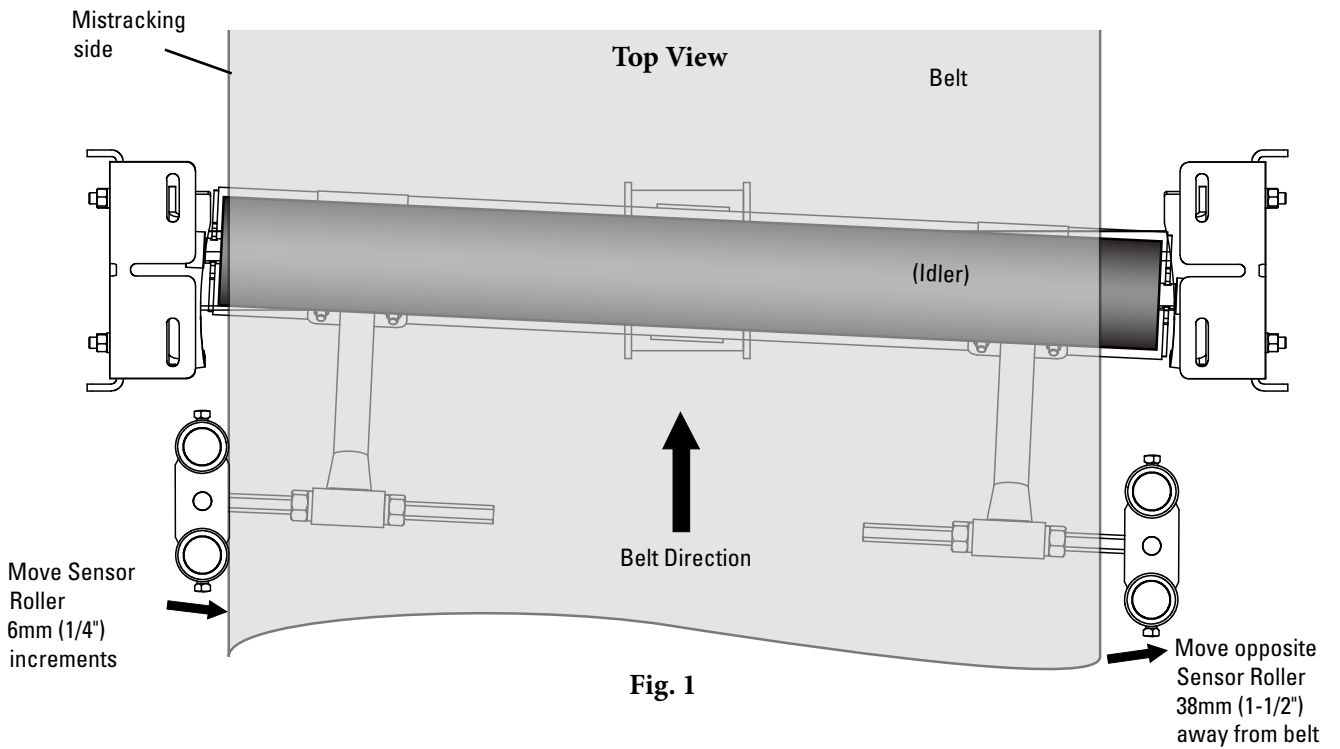
5.1 Pre-Op Checklist

- Recheck that all fasteners are tight
- Apply all supplied labels
- Be sure that all installation materials and tools have been removed from the belt and conveyor area

5.2 Test Run the Conveyor

- Run the conveyor for at least 15 minutes and confirm the belt is tracking properly.
- If belt is still mistracking too far to one side, bring that sensor roller in toward the centre. Make adjustments of 6mm (1/4") at a time (**Fig. 1**). Do not pinch the belt between the sensor rollers - sensor rollers overall should be 38mm (1-1/2") wider than the belt (**Fig. 2**).

NOTE: If the conveyor has disc idlers, the belt may not get the full downstream tracking effect.



Section 6 - Maintenance

Flexco belt trainers are designed to operate with minimum maintenance. However, to maintain superior performance some service is required. When the trainer is installed a regular maintenance program should be set up. This program will ensure that the trainer operates at optimal efficiency, and problems can be identified and fixed before any damage is done to the belt, the trainer, other conveyor components, or structure.

All safety procedures for inspection of equipment (stationary or operating) must be observed. The PT Max™ Adjustable is in direct contact with the moving belt. Only visual observations can be made while the belt is running. Service tasks can be done only with the conveyor stopped and by observing the correct lockout/tagout procedures.

6.1 New Installation Inspection

After the PT Max Adjustable has run for 15 minutes a visual inspection should be made to ensure the trainer is performing properly. Make adjustments as needed.

6.2 Routine Visual Inspection (every 2-4 weeks)

A visual inspection of the PT Max Adjustable can determine:

- If the belt is tracking as required
- If the trainer is moving freely
- If the main frame is free of material and rolling properly
- If there is damage to the main frame or other components
- If the sensor rollers are turning freely and without damage

If any of the above conditions exist, a determination should be made on when the conveyor can be stopped for trainer maintenance.

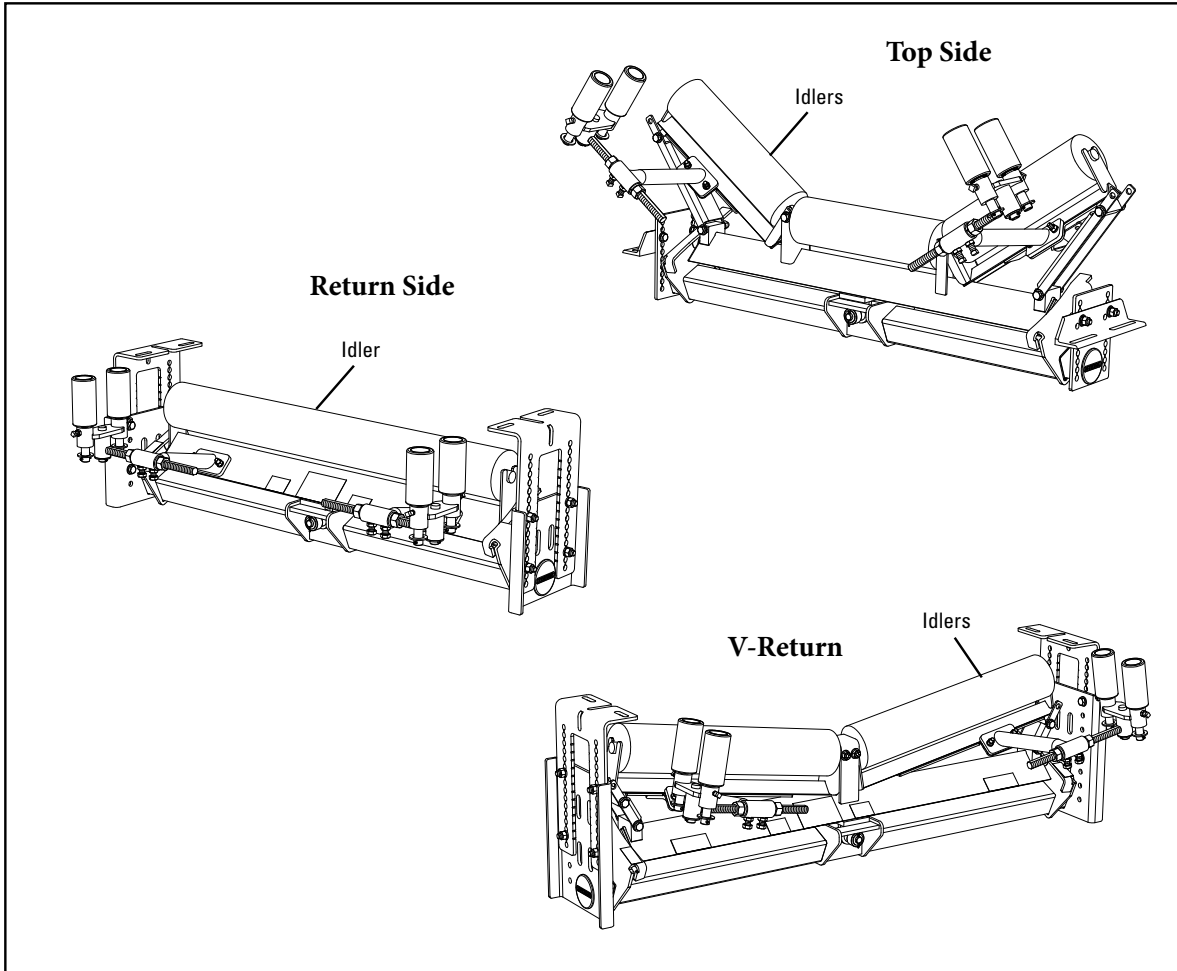
6.3 Routine Physical Inspection (every 6-8 weeks)

When the conveyor is not in operation and properly locked and tagged out, a physical inspection of the trainer to perform the following tasks:

- Clean material buildup off the trainer and components.
- Closely inspect both sensor rollers for free movement and wear. Replace if needed.
- Closely inspect main idler for free movement and wear. Replace if needed.
- Pivot unit to ensure full and easy movement.
- Closely inspect complete unit for damage.
- Inspect all fasteners for tightness and wear. Tighten or replace if needed.
- When maintenance tasks are completed, test run the conveyor to ensure the trainer is performing properly.

Section 6 - Maintenance

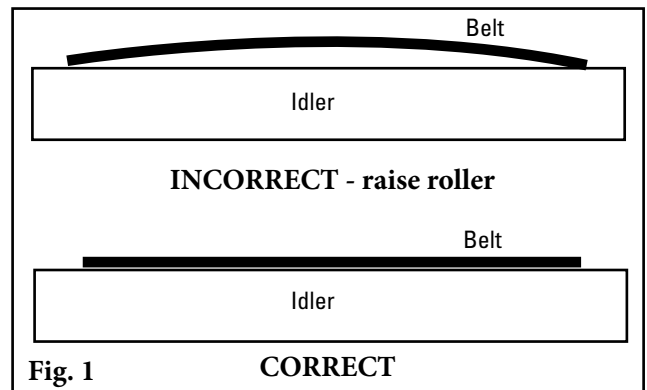
6.4 Idler Replacement Instructions



Physically lock out and tag out the conveyor at the power source before you begin cleaner installation.

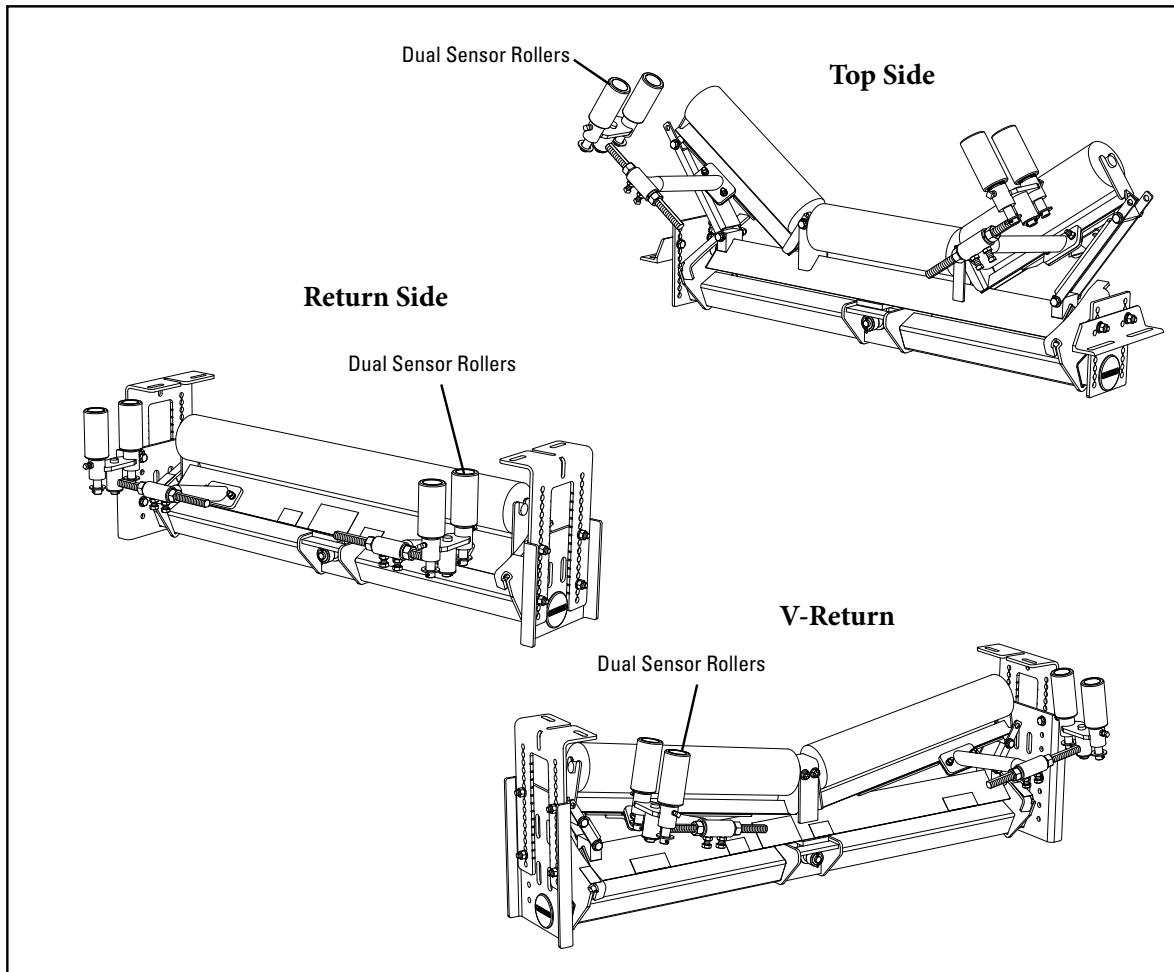
CAUTION: Components may be heavy. Use safety-approved lifting procedures.

1. **Remove tension from belt.** Use a Flex-Lifter or other appropriate lifting equipment to lift the belt approx. 75mm (3") off the trainer.
2. **Remove idler(s).**
3. **Install new idler(s).** Confirm idler turns smoothly.
4. **Lower the belt.** Ensure belt completely contacts idler(s). Shim the unit to raise or lower in relation to the belt if there is not good contact (Fig. 1). Tighten all bolts.
5. **Go to page 10, "Adjustment to the Belt."**



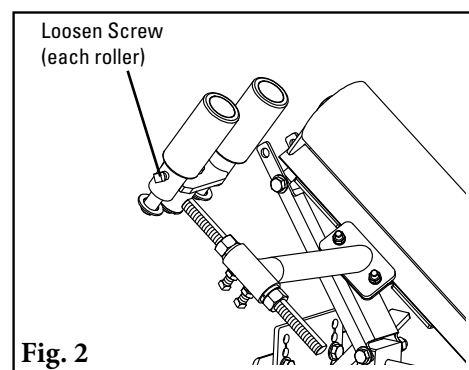
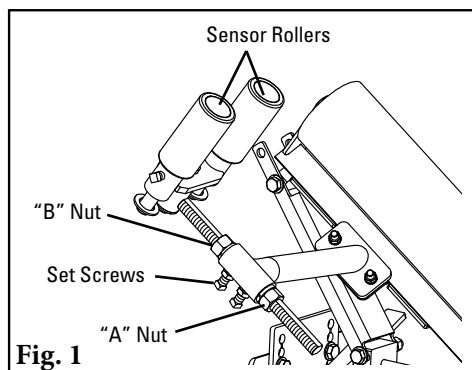
Section 6 - Maintenance

6.5 Sensor Roller Replacement Instructions



Physically lock out and tag out the conveyor at the power source before you begin cleaner installation.

1. Loosen set screws, turn “A” nut to the end of the rod then turn “B” nut to move sensor rollers away from the belt (Fig. 1).
2. Loosen screws at base of sensor rollers and remove from adjuster arm (Fig. 2).
3. Install new sensor rollers, retighten screws.
4. Go to page 10, “Adjustment to the Belt.”



Section 6 - Maintenance

6.6 Maintenance Log

Conveyor Name/No. _____

Date: _____ Work done by: _____ Service Quote #: _____

Activity: _____

Date: _____ Work done by: _____ Service Quote #: _____

Activity: _____

Date: _____ Work done by: _____ Service Quote #: _____

Activity: _____

Date: _____ Work done by: _____ Service Quote #: _____

Activity: _____

Date: _____ Work done by: _____ Service Quote #: _____

Activity: _____

Date: _____ Work done by: _____ Service Quote #: _____

Activity: _____

Date: _____ Work done by: _____ Service Quote #: _____

Activity: _____

Date: _____ Work done by: _____ Service Quote #: _____

Activity: _____

Section 6 - Maintenance

6.7 Belt Trainer Maintenance Checklist

PT Max™ Adjustable: _____ Serial Number: _____

Beltline Information:

Beltline Number: _____ Belt Condition: _____

Belt Width: 900mm (36") 1050mm (42") 1200mm (48") 1350mm (54") 1500mm (60") 1800mm (72") 2100mm (84")

Belt Speed: _____ Belt Thickness: _____

Idler Life:

Date Idler Installed: _____ Date Idler Inspected: _____ Estimated Idler Life: _____

Idler Condition: _____

Sensor Roller Life (Right Side):

Date Roller Installed: _____ Date Roller Inspected: _____ Estimated Roller Life: _____

Roller Condition: _____

Sensor Roller Life (Left Side):

Date Roller Installed: _____ Date Roller Inspected: _____ Estimated Roller Life: _____

Roller Condition: _____

PT Max Adjustable Frame Condition: Good Bent Rusted

Overall PT Max Performance: (Rate the following 1 - 5, 1=very poor - 5= very good)

Appearance: Comments: _____

Location: Comments: _____

Maintenance: Comments: _____

Performance: Comments: _____

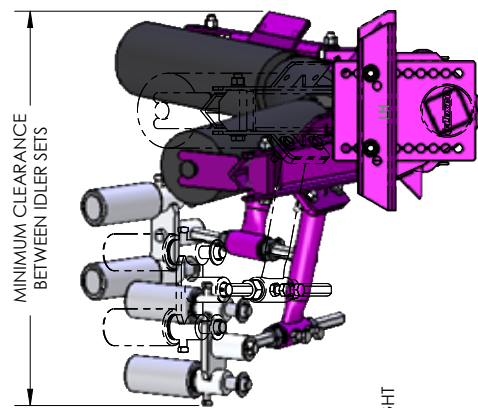
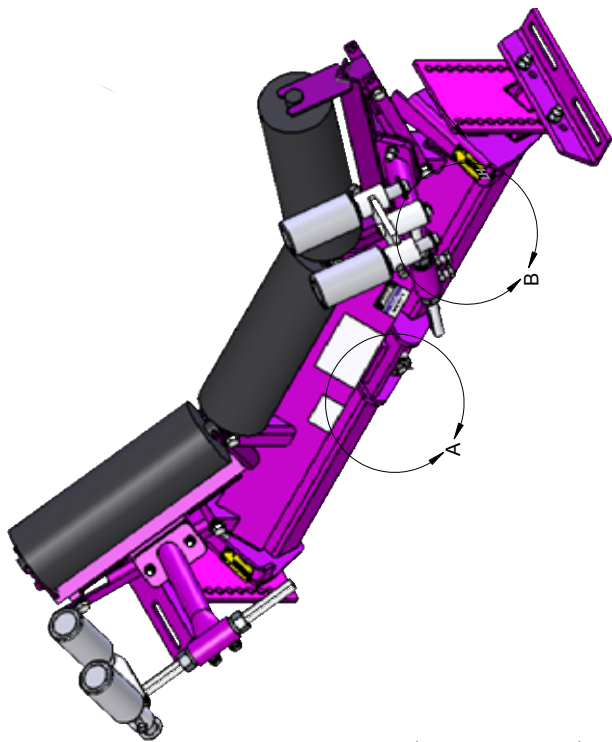
Other Comments: _____

Section 7 - Troubleshooting

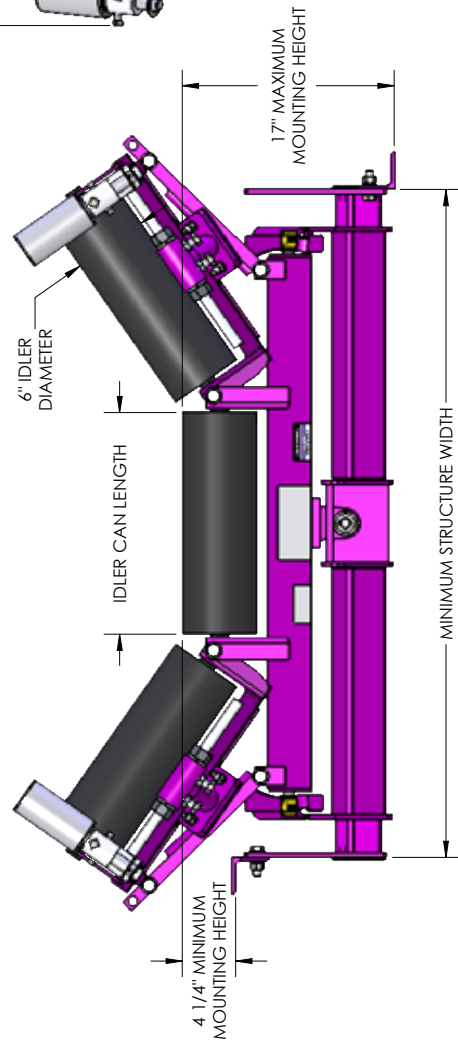
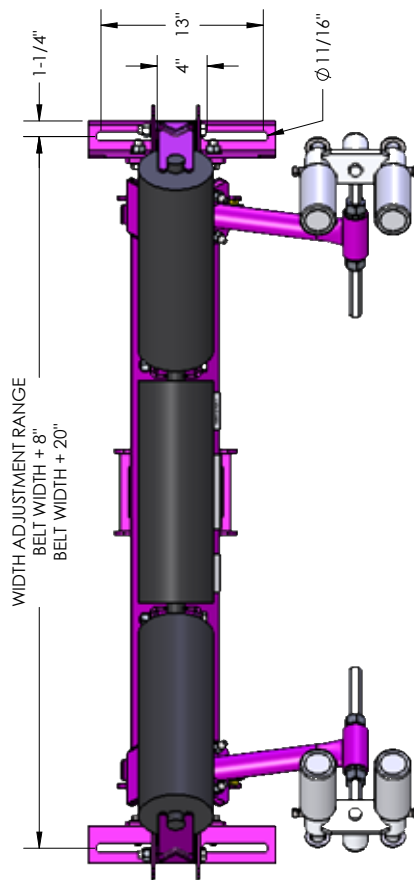
Problem	Possible Cause	Possible Solutions
Little to no effect on trouble area of belt	Unit installed in wrong location	Relocate unit 20' (6M) after start of problem area of belt
	Incorrect tension on unit	Increase height of unit to provide 13 - 25mm (1/2" - 1") lift on belt
	Unit mis-adjusted	Adjust sensor roller to provide more activation of unit
	Buildup on main idler	Clean unit
Belt not correcting enough	Unit mis-adjusted	Adjust sensor roll to provide more activation of unit
	Disc idlers on conveyor	Replace one disc idler before and one after the trainer with a standard idler
Belt moving over too much	Unit mis-adjusted	Adjust sensor roll to provide less activation of unit
Belt is jumping sensor roll	Unit located too low in structure	Increase height of unit to provide 13 - 25mm (1/2" - 1") lift on belt
Belt contacting both side sensors	Unit mis-adjusted	Adjust sensors to provide the 19mm (3/4") clearance so both sensors do not touch belt
Unit does not pivot	Buildup of material	Clean unit
Main roller not turning	Buildup on main idler	Clean unit
	Main idler bearing bad	Replace idler roller

Section 8 - Specs and CAD Drawings

8.1 CAD Drawing - PT Max™ Adjustable Top Side



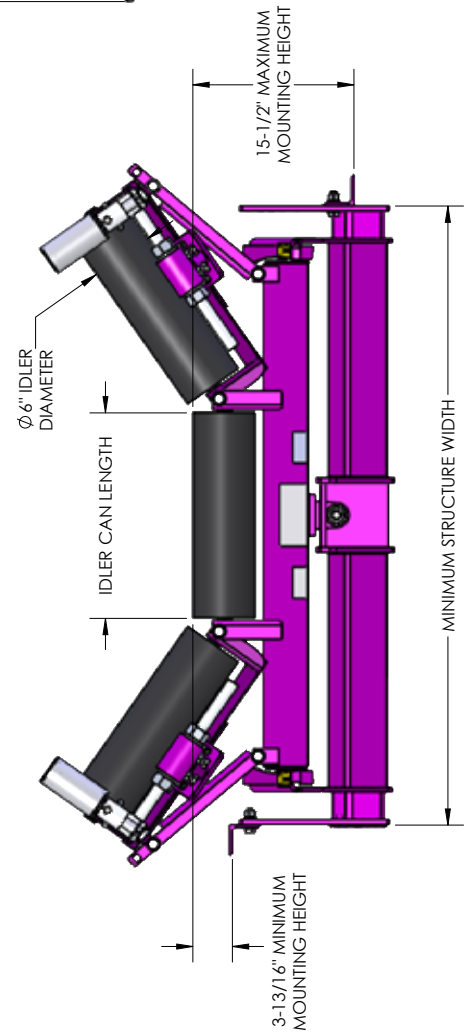
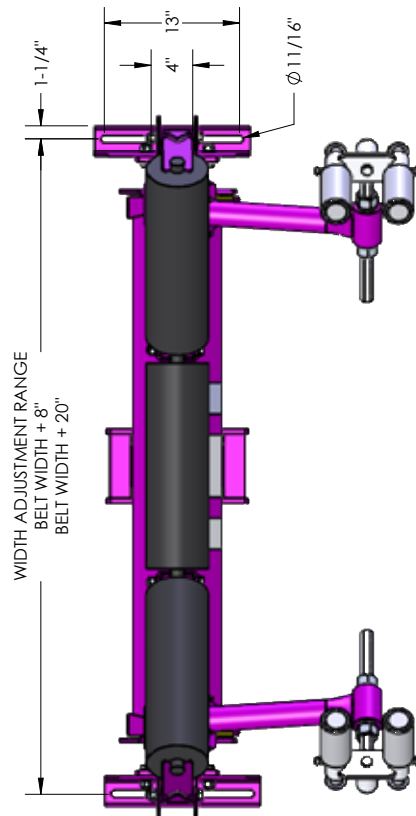
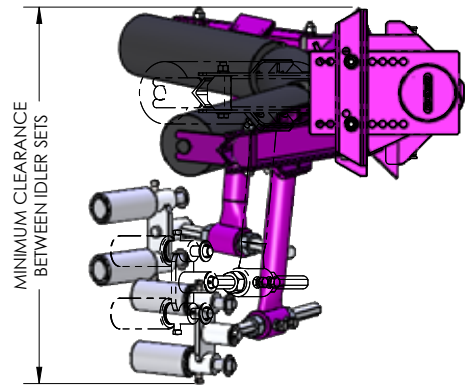
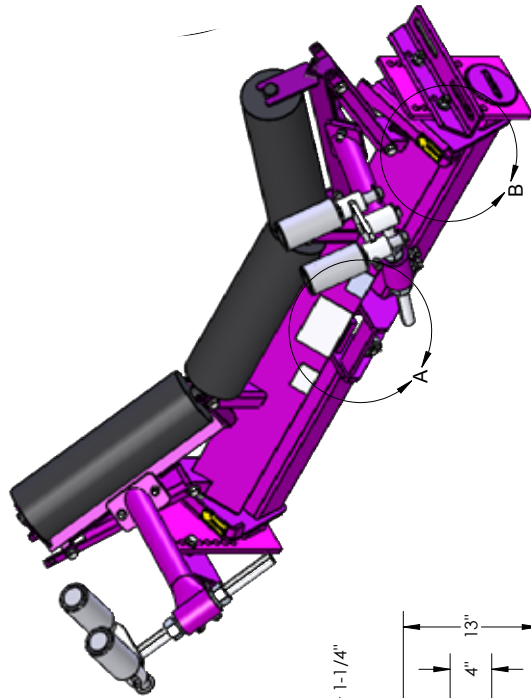
SPECIFICATIONS			IDLER (1)	
BELT WIDTH (in)	ORDER NUMBER	ITEM CODE	ORDER NUMBER	ITEM CODE
36	PTMA36T	90362	SE6-T36	90227
42	PTMA42T	90363	SE6-T42	90228
48	PTMA48T	90364	SE6-T48	90229
54	PTMA54T	90365	SE6-T54	90230
60	PTMA60T	90366	SE6-T60	90231



Section 8 - Specs and CAD Drawings

8.2 CAD Drawing - PT Max™ Adjustable Top Side HD

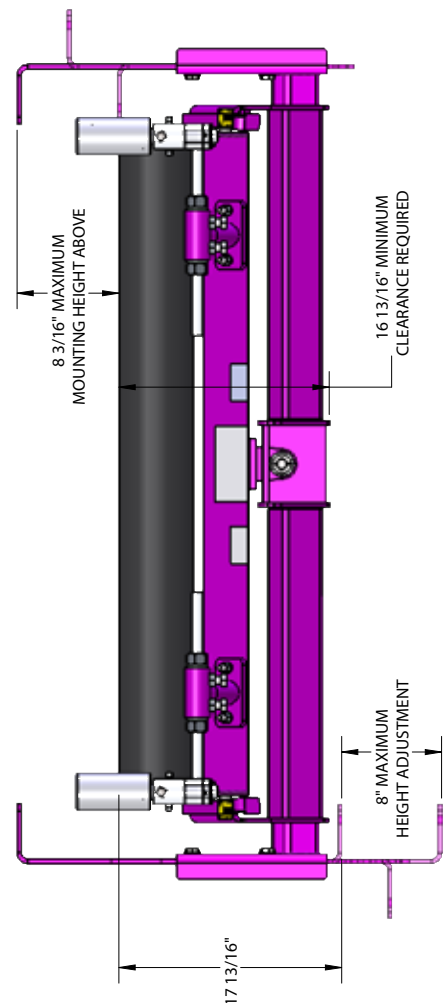
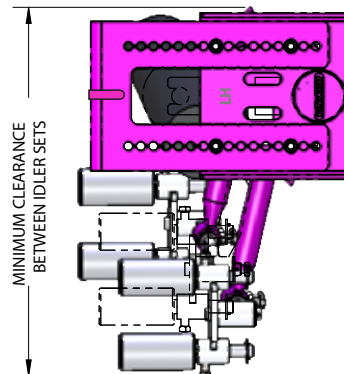
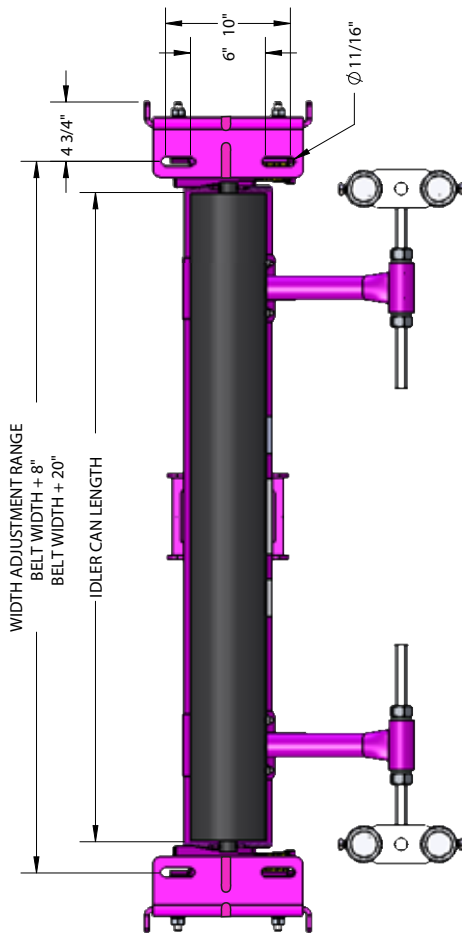
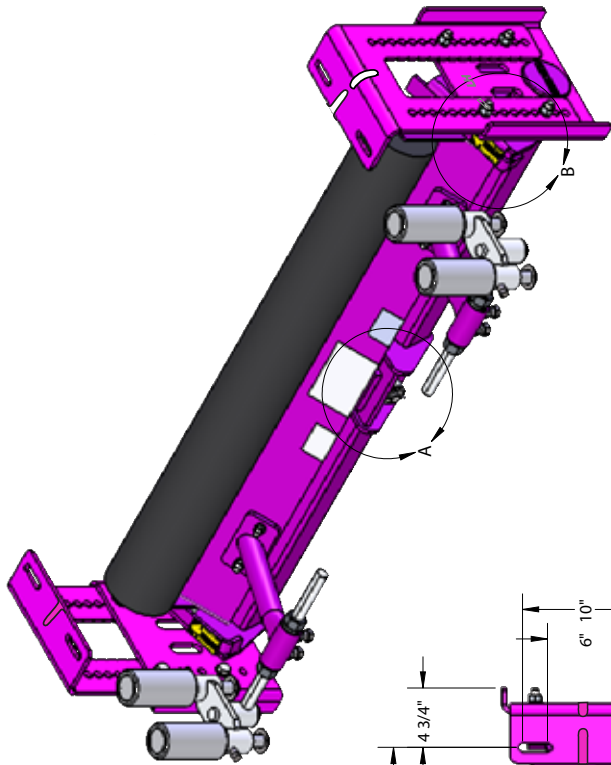
SPECIFICATIONS				IDLER (1)	
BELT WIDTH (in)	ORDER NUMBER	ITEM CODE	IDLER CAN LENGTH (in)	ORDER NUMBER	ITEM CODE
54	PTMAHD54T	90377	19-3/4	SE6-T54/VR36	90230
60	PTMAHD60T	90378	21-3/4	SE6-T60/VR42	90231
72	PTMAHD72T	90379	25-3/4	SE6-T72/VR48	90232
84	PTMAHD84T	90380	29-3/4	SE6-T84	90233



Section 8 - Specs and CAD Drawings

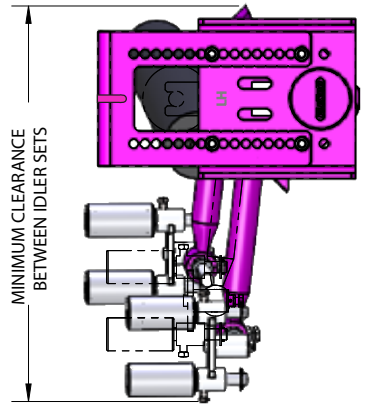
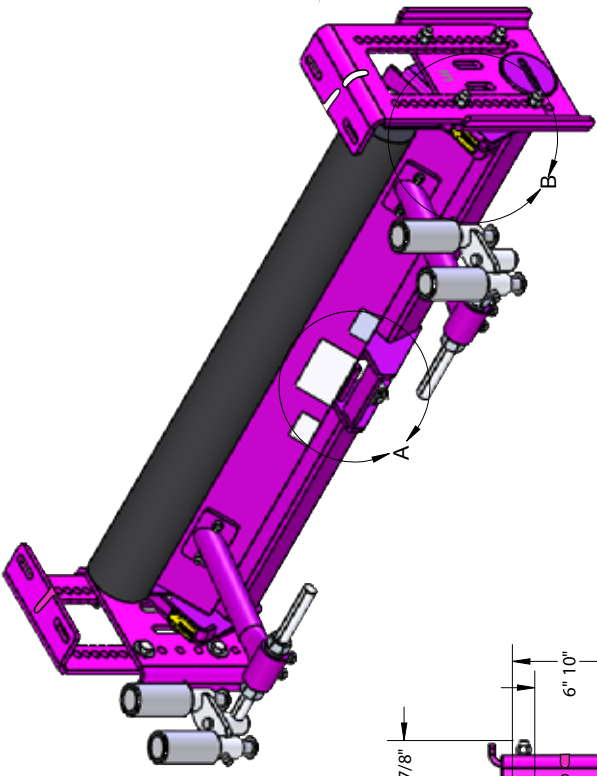
8.3 CAD Drawing - PT™ Adjustable Max Return

SPECIFICATIONS			IDLER (1)		
BELT WIDTH (in)	ORDER NUMBER	ITEM CODE	IDLER CAN LENGTH (in)	ORDER NUMBER	ITEM CODE
36	PTMA36R	90367	40	SE6-R36	90220
42	PTMA42R	90368	46	SE6-R42	90221
48	PTMA48R	90369	52	SE6-R48	90222
54	PTMA54R	90370	58	SE6-R54	90223
60	PTMA60R	90371	64	SE6-R60	90224

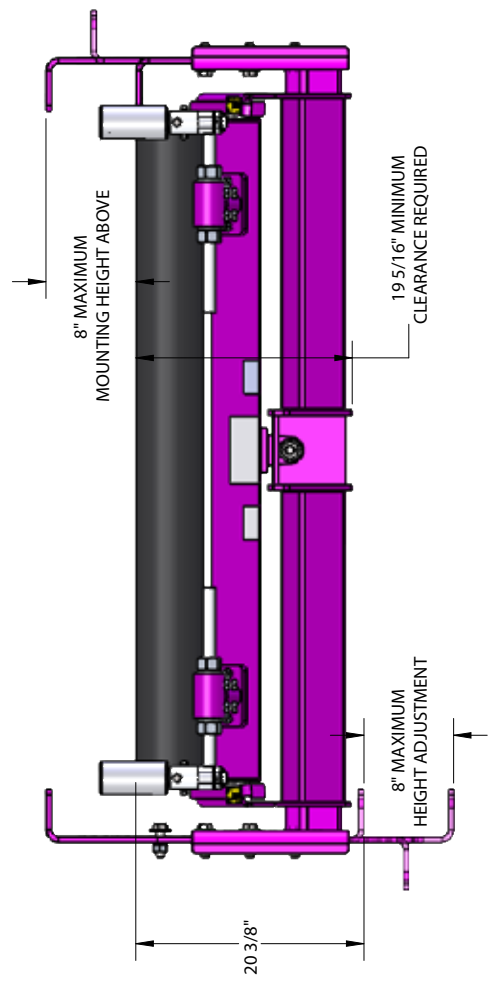
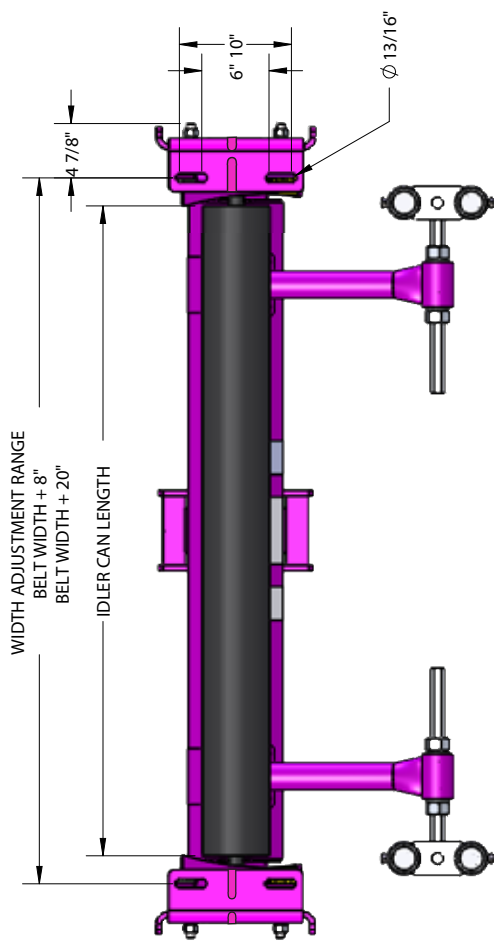


Section 8 - Specs and CAD Drawings

8.4 CAD Drawing - PT Max™ Adjustable Return HD

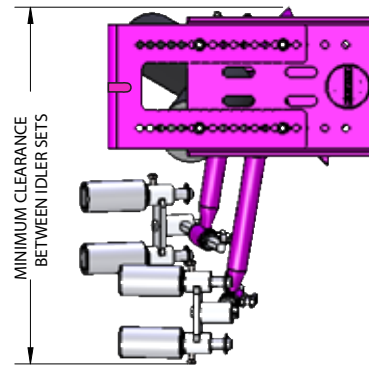
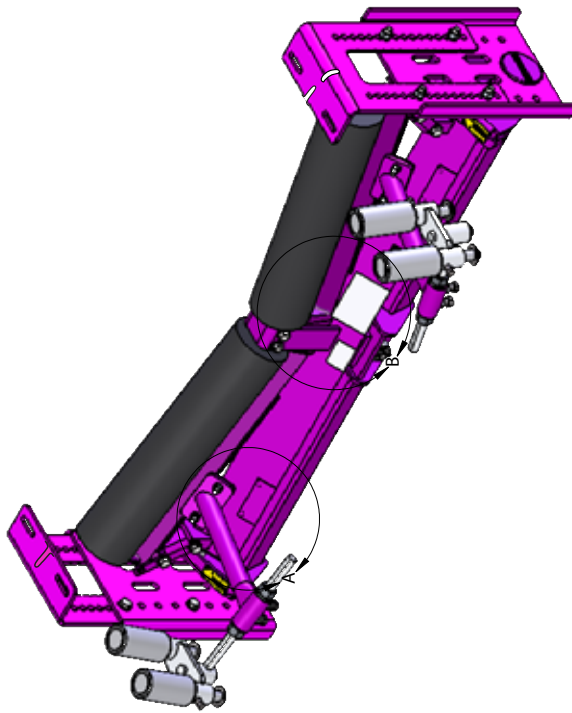


SPECIFICATIONS			IDLER (1)		
BELT WIDTH (in)	ORDER NUMBER	ITEM CODE	IDLER CAN LENGTH (in)	ORDER NUMBER	ITEM CODE
54	PTMAHD54R	90381	58	SE6-R54	90223
60	PTMAHD60R	90382	64	SE6-R60	90224
72	PTMAHD72R	90383	76	SE6-R72	90225
84	PTMAHD84R	90384	88	SE6-R84	90226

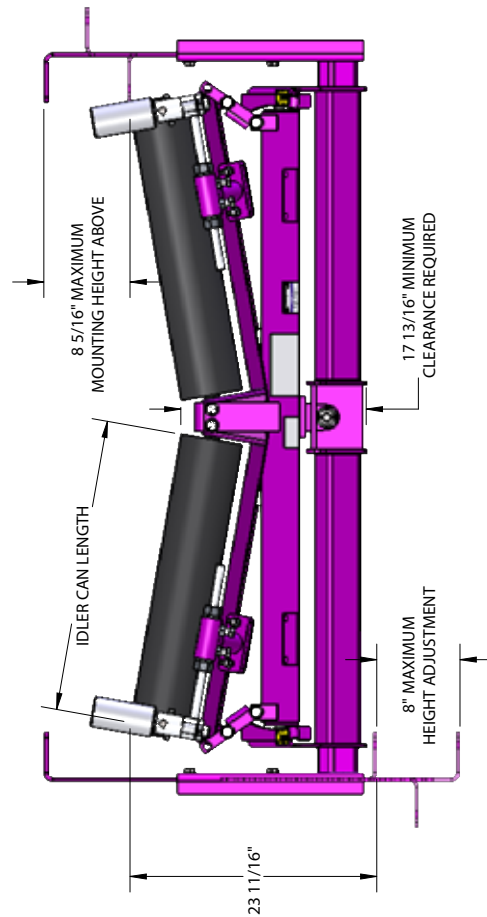
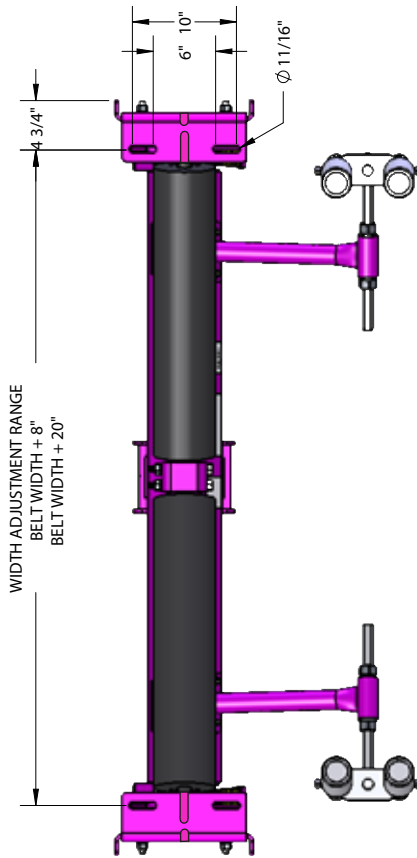


Section 8 - Specs and CAD Drawings

8.5 CAD Drawing - PT Max™ Adjustable V-Return

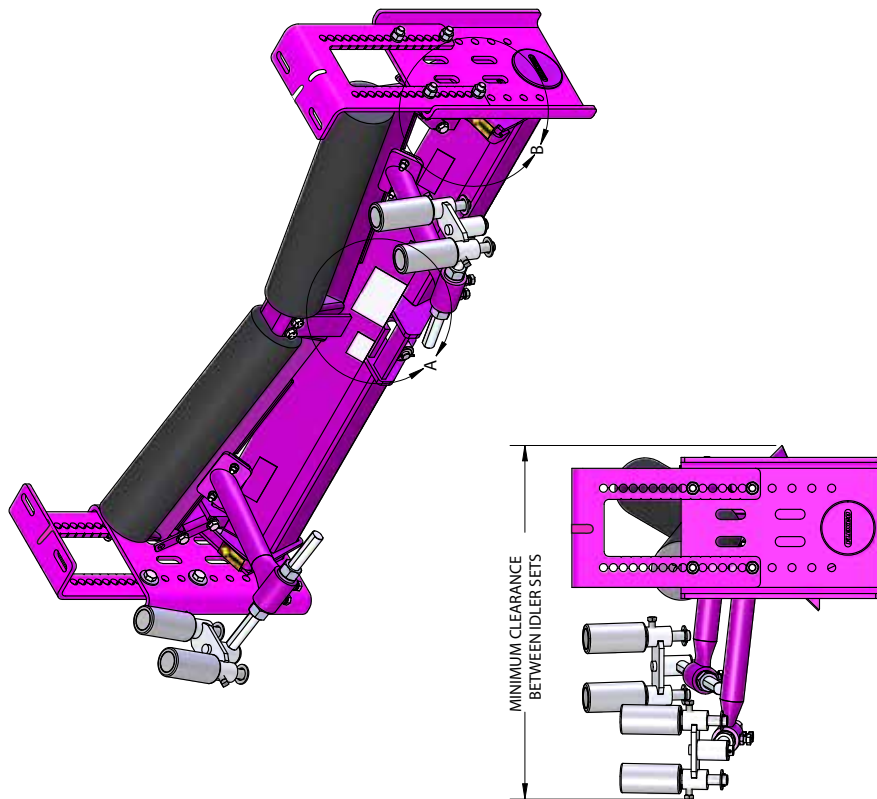


SPECIFICATIONS			MINIMUM CLEARANCE BETWEEN IDLER SETS (in)
BELT WIDTH (in)	ORDER NUMBER	ITEM CODE	IDLER CAN LENGTH (in)
36	PTMA36VR	90372	19 3/4
42	PTMA42VR	90373	21 3/4
48	PTMA48VR	90374	25 3/4
54	PTMA54VR	90375	28 1/8
60	PTMA60VR	90376	31 3/16

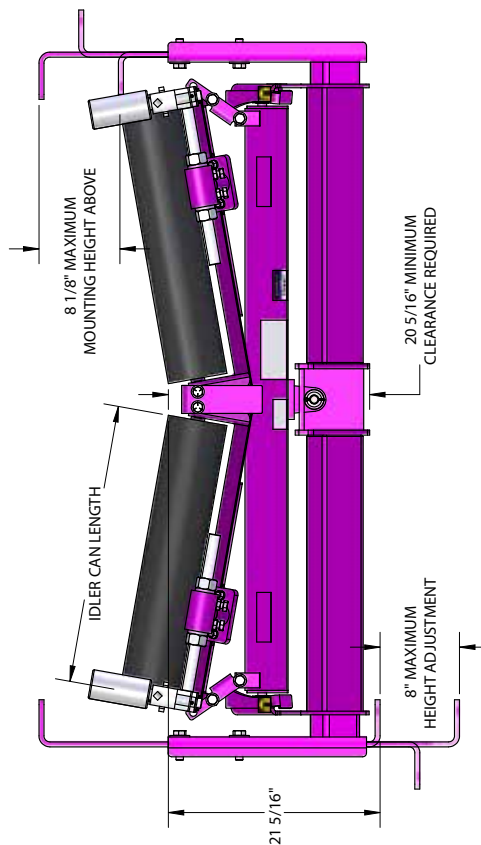
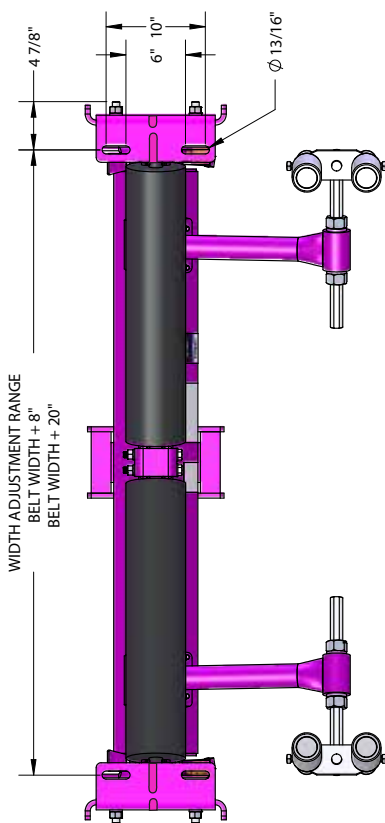


Section 8 - Specs and CAD Drawings

8.6 CAD Drawing - PT Max™ Adjustable V-Return HD

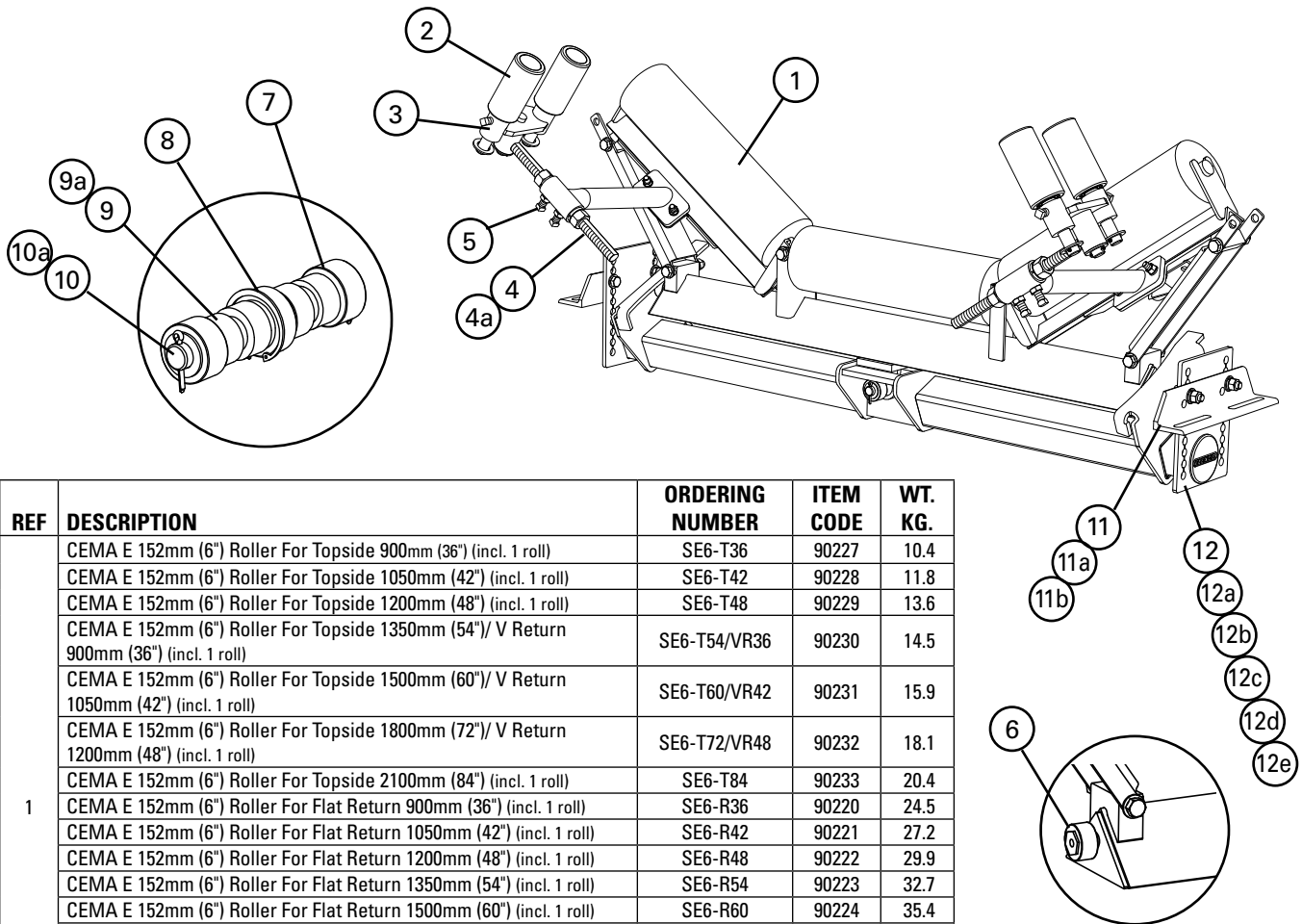


SPECIFICATIONS			
BELT WIDTH (in)	ORDER NUMBER	ITEM CODE	MINIMUM CLEARANCE BETWEEN IDLER SETS (in)
54	PTMAHD54VR	90385	36
60	PTMAHD60VR	90386	37
72	PTMAHD72VR	90387	50
84	PTMAHD84VR	90388	51



Section 9 - Replacement Parts

9.1 Replacement Parts List



REF	DESCRIPTION	ORDERING NUMBER	ITEM CODE	WT. KG.
1	CEMA E 152mm (6") Roller For Topside 900mm (36") (incl. 1 roll)	SE6-T36	90227	10.4
	CEMA E 152mm (6") Roller For Topside 1050mm (42") (incl. 1 roll)	SE6-T42	90228	11.8
	CEMA E 152mm (6") Roller For Topside 1200mm (48") (incl. 1 roll)	SE6-T48	90229	13.6
	CEMA E 152mm (6") Roller For Topside 1350mm (54")/ V Return 900mm (36") (incl. 1 roll)	SE6-T54/VR36	90230	14.5
	CEMA E 152mm (6") Roller For Topside 1500mm (60")/ V Return 1050mm (42") (incl. 1 roll)	SE6-T60/VR42	90231	15.9
	CEMA E 152mm (6") Roller For Topside 1800mm (72")/ V Return 1200mm (48") (incl. 1 roll)	SE6-T72/VR48	90232	18.1
	CEMA E 152mm (6") Roller For Topside 2100mm (84") (incl. 1 roll)	SE6-T84	90233	20.4
	CEMA E 152mm (6") Roller For Flat Return 900mm (36") (incl. 1 roll)	SE6-R36	90220	24.5
	CEMA E 152mm (6") Roller For Flat Return 1050mm (42") (incl. 1 roll)	SE6-R42	90221	27.2
	CEMA E 152mm (6") Roller For Flat Return 1200mm (48") (incl. 1 roll)	SE6-R48	90222	29.9
	CEMA E 152mm (6") Roller For Flat Return 1350mm (54") (incl. 1 roll)	SE6-R54	90223	32.7
	CEMA E 152mm (6") Roller For Flat Return 1500mm (60") (incl. 1 roll)	SE6-R60	90224	35.4
	CEMA E 152mm (6") Roller For Flat Return 1800mm (72") (incl. 1 roll)	SE6-R72	90225	40.8
	CEMA E 152mm (6") Roller For Flat Return 2100mm (84") (incl. 1 roll)	SE6-R84	90226	46.3
	CEMA E 152mm (6") Roller For V-Return 1350mm (54") (incl. 1 roll)	SE6-VR54	90234	19.5
	CEMA E 152mm (6") Roller For V-Return 1500mm (60") (incl. 1 roll)	SE6-VR60	90235	21.3
	CEMA E 152mm (6") Roller For V-Return 1800mm (72") (incl. 1 roll)	SE6-VR72	90236	24.5
CEMA E 152mm (6") Roller For V-Return 2100mm (84") (incl. 1 roll)	SE6-VR84	90319	25.9	
2	Sensor Roller 2.0* (75mm solid roller) (1 ea.)	MSR2	79378	3.2
3	Swivel Mount Kit 2.0*	PMSMK2	79380	2.6
4	PT Max Adjusting Arm Kit	PTMAAK	90194	2.7
4a	PT Max Adjusting Arm Kit Heavy Duty	PTMAAKHD	90195	4.1
5	Frame Arm Screw Kit (incl. 4 screws and 4 jam nuts)	PTMAFASK	90196	0.5
6	Outer Roller Kit (incl. 2 rollers, roller thimbles, and bolts, nuts, and washers)	PTMAORK	90197	0.5
7	Centre Roller Kit (incl. 2 rollers, 2 washers, and 2 cotter pins)	MCRK	74923	0.5
8	Centre Bearing	MCB	74925	0.8
9	Centre Shaft Spacer Kit (incl. 2 spacers)	MCSK	74927	0.1
9a	Centre Shaft Spacer Kit Heavy Duty (incl. 2 spacers)	MCSKHD	74928	0.2
10	Centre Shaft	MCS	74930	1.8
10a	Centre Shaft Heavy Duty	MCSHD	74931	5.9
11	Frame Mount Kit Topside	PTMAFMKT	90185	6.6
11a	Frame Mount Kit Flat/V-Return	PTMAFMKR	90186	19.1
11b	Frame Mount Kit Flat/V-Return Heavy Duty	PTMAFMKHDR	90187	22.4
12	Extender Kit Topside	PTMAEKT	90188	15.4
12a	Extender Kit Topside Heavy Duty	PTMAEKHDT	90191	22.6
12b	Extender Kit Flat Return	PTMAEKR	90189	25.9
12c	Extender Kit Flat Return Heavy Duty	PTMAEKHDR	90192	39.2
12d	Extender Kit V-Return	PTMAEKVR	90190	34.5
12e	Extender Kit V-Return Heavy Duty	PTMAEKHDVR	90193	50.8
-	Centre Bearing Kit (incl. 1 ea. Items 7, 8, 9, and 10)	MCBK	76025	3.6
-	Centre Bearing Kit Heavy Duty (incl. 1 ea. Items 7, 8, 9a, and 10a)	MCBKHD	76026	7.7

*Hardware included
Lead time: 1 working day

Section 10 - Other Flexco Conveyor Products

Flexco provides many conveyor products that help your conveyors to run more efficiently and safely. These components solve typical conveyor problems and improve productivity. Here is a quick overview on just a few of them:

EZP1 Precleaner



- Patented ConShear™ blade renews its cleaning edge as it wears
- Visual Tension Check™ for optimal blade tensioning and simple retensioning
- Quick and easy one-pin blade replacement
- Material Path Option™ for optimal cleaning and reduced maintenance

Flex-Lok™ Skirt Clamps



- Eliminates transfer zone spillage
- Interlocking design for easy installation and one-person maintenance
- Unique wedge pin holds rubber securely in place and is easy to adjust
- Available in various models and in stainless steel

MMP Precleaner



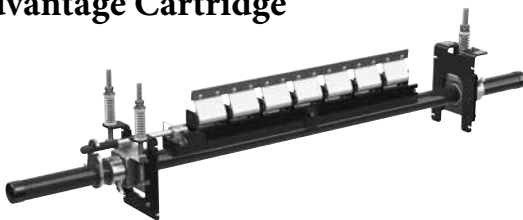
- Extra cleaning power for tough applications
- 254 (10") TuffShear™ blade provides increased blade-to-belt tension
- A 3-piece telescoping pole is lighter to lift and easier to install
- Dual Quick-Mount Tensioners ensure optimal tension throughout the life of the blade

PT Smart™ Belt Trainer



- Patented "pivot & tilt" design for superior training action
- Pivot point guaranteed not to freeze or seize up
- Available for return side belts

MHS Secondary Cleaner with Service Advantage Cartridge



- An easy slide-out cartridge for service
- Cartridge design to speed up blade-change maintenance
- Patented PowerFlex™ Cushions for superior cleaning performance
- Compatible with Flexco mechanical splices

Belt Plows



- A belt cleaner for the tail pulley
- Exclusive blade design quickly spirals debris off the belt
- Economical and easy to service
- Available in vee or diagonal models

The Flexco Vision

To become the leader in maximising
belt conveyor productivity for our customers worldwide
through superior service and innovation.

Flexco (Aust.) Pty. Ltd • 10 Solent Circuit, Norwest • NSW, Australia, 2153 • Australia
Tel: 612-8818-2000 • Fax: 612-8824-6333 • E-mail: salesau@flexco.com

Visit www.flexco.com for other Flexco locations and products.

©2020 Flexible Steel Lacing Company. 03/19/20. For reorder: X5726

