

MSP Standard Mine-Duty Precleaner

Economical and Effective Choice for Wood Handling

The MSP Standard-Duty Precleaner is a tough design that combines simple, do-it-yourself installation, quick maintenance and effective cleaning results with an affordable price tag. Install the MSP on belts carrying chips where dust is widespread to facilitate the capture of usable material and avoid material piles that create fire hazards. Stainless Steel components and Chemical-Resistant, High-Temp, or Ultra-High Temp blade options are available for belts carrying chips to the digester and lime to the kiln.



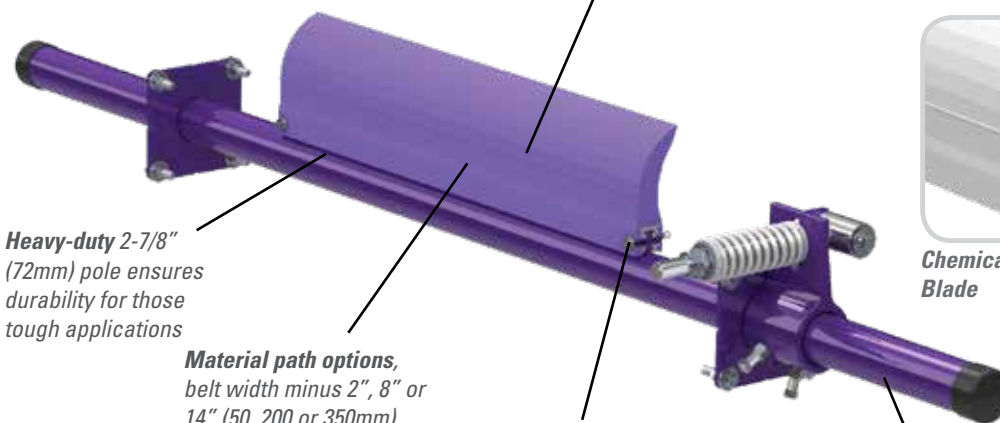
Faceted profile design results in continuous blade edge "renewal" for improved cleaning efficiency throughout the life of the blade

High strength aluminum extrusion

Molded-in wear line on all Flexco ConShear™ blades



Available with stainless steel components for superior corrosion resistance



Heavy-duty 2-7/8" (72mm) pole ensures durability for those tough applications

Material path options, belt width minus 2", 8" or 14" (50, 200 or 350mm), guarantee proper cleaning and blade life

Simple blade replacement - no tools needed



Chemical-Resistant Blade



High-Temp Blade
135° C (275° F) with spikes to 160° C (325° F)



Ultra High-Temp Blade
200° C (400° F) with spikes to 230° C (450° F)



Quick Mount Tensioner (QMT) allows the blade tension to be visually inspected

Features and Benefits

- **Quick-change blade.** No tools are needed. Just pull one pin, remove the old blade, slide in the new one and replace the pin.
- **Works with Flexco and other mechanical splices.** The spring tensioner quickly moves the blade away from the belt when a splice passes. The polyurethane blade easily glides over the splice without damage and with minimal cleaning disruption.
- **Easy to service.** All maintenance work is done from the easy-access side of the beltline. Blade retensioning and change-out are quick and easy.
- **Fits most conveyor structures.** Available for belt widths from 24" to 84" (600 to 2100mm). The MSP poles are extra long (belt width plus 54"/1350 mm) to accommodate varying structure widths.

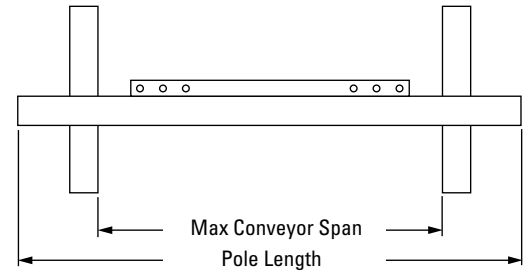
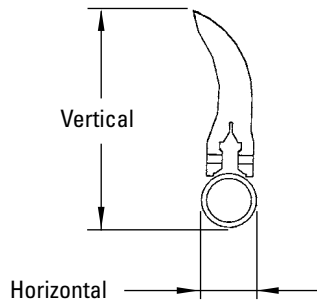
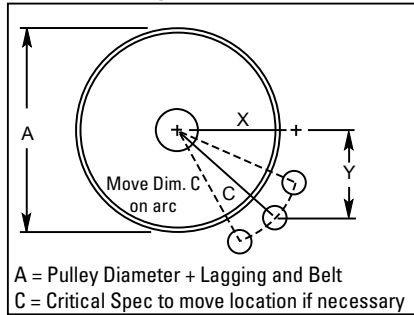
MSP

Standard Mine-Duty Precleaner

Specifications and Guidelines

- Maximum Belt Speed**
700 FPM (3.5 M/sec)
- Temperature Rating**
Purple/White: -30°F to 180°F (-35°C to 82°C)
Yellow: -30°F to 275°F (-35°C to 135°C)
Spikes to 325°F (160°C)
Red: -30°F to 400°F (-35°C to 200°C)
Spikes to 450°F (230°C)
- Minimum Pulley Diameter**
16" (400mm)
- Blade Height**
7-1/4" (185mm)
- Usable Blade Wear Length**
4" (100mm)
- Blade Material**
Purple/White: Polyurethane 83 durometer
Yellow: Polyurethane 93 durometer
Red: Ultra High-Temp Polyurethane 90 durometer
- Available for Belt Widths**
24" to 84" (600 to 2100mm)
- CEMA Cleaner Rating**
Class 3
- Horizontal Clearance Required**
4" (100mm)
- Vertical Clearance Required**
10" (254mm)
- Pole Length**
Cleaner size + 54" (1350mm)
- Maximum Conveyor Span**
Cleaner size + 44" (1100mm)

Pole Location Specs



Pole Location Chart

A	X	Y	C	A	X	Y	C	A	X	Y	C
16"	7-1/8"	9"	11-1/2"	25"	12-5/8"	9"	15-1/2"	34"	17-7/8"	9"	20"
17"	7-7/8"	9"	12"	26"	13-1/4"	9"	16"	35"	18-3/8"	9"	20-1/2"
18"	8-1/4"	9"	12-1/4"	27"	13-7/8"	9"	16-1/2"	36"	19"	9"	21"
19"	9"	9"	12-3/4"	28"	14-3/8"	9"	17"	37"	19-1/2"	9"	21-1/2"
20"	9-3/8"	9"	13"	29"	15"	9"	17-1/2"	38"	20"	9"	22"
21"	10"	9"	13-1/2"	30"	15-5/8"	9"	18"	39"	20-5/8"	9"	22-1/2"
22"	10-3/4"	9"	14"	31"	16-1/8"	9"	18-1/2"	40"	21-1/8"	9"	23"
23"	11-3/8"	9"	14-1/2"	32"	16-3/4"	9"	19"	41"	21-3/4"	9"	23-1/2"
24"	12"	9"	15"	33"	17-1/4"	9"	19-1/2"	42"	22-1/4"	9"	24"

Ordering Information

MSP Standard-Duty Precleaner Belt Width Minus 2"

Belt Width	Blade Width	Ordering Number	Item Code
in.	mm		
24	600	MSP-224	75787
30	750	MSP-230	75788
36	900	MSP-236	75789
42	1050	MSP-242	75790
48	1200	MSP-248	75791
54	1350	MSP-254	75792
60	1500	MSP-260	75793
72	1800	MSP-272	75794
84	2100	MSP-284	76796

MSP Standard-Duty Precleaner Belt Width Minus 8"

Belt Width	Blade Width	Ordering Number	Item Code
in.	mm		
24	600	MSP-824	75795
30	750	MSP-830	75796
36	900	MSP-836	75797
42	1050	MSP-842	75798
48	1200	MSP-848	75799
54	1350	MSP-854	75800
60	1500	MSP-860	75801
72	1800	MSP-872	75802
84	2100	MSP-884	76797

Replacement ConShear™ Blades

Blade Width	Ordering Number	Item Code
in.	mm	
16	300	CRB-16 75629
22	350	CRB-22 75630
28	450	CRB-28 75631
34	600	CRB-34 75632
40	750	CRB-40 75633
46	800	CRB-46 75634
52	950	CRB-52 75635
58	1000	CRB-58 75636
64	1150	CRB-64 75775
70	1200	CRB-70 75773
76	1350	CRB-76 76940
82	1400	CRB-84 76941

Other blade sizes available upon request.

Ordering information shown is for the standard mild steel MSP with purple blade.
Contact your Flexco distributor or visit www.flexco.com for other cleaner/blade options.

Authorized Distributor:



2525 Wisconsin Avenue • Downers Grove, IL 60515-4200 • USA
Tel: (630) 971-0150 • Fax: (630) 971-1180 • E-mail: info@flexco.com

Visit www.flexco.com for other Flexco locations and products.

©2018 Flexible Steel Lacing Company. 12/04/18. For reorder: X5526

