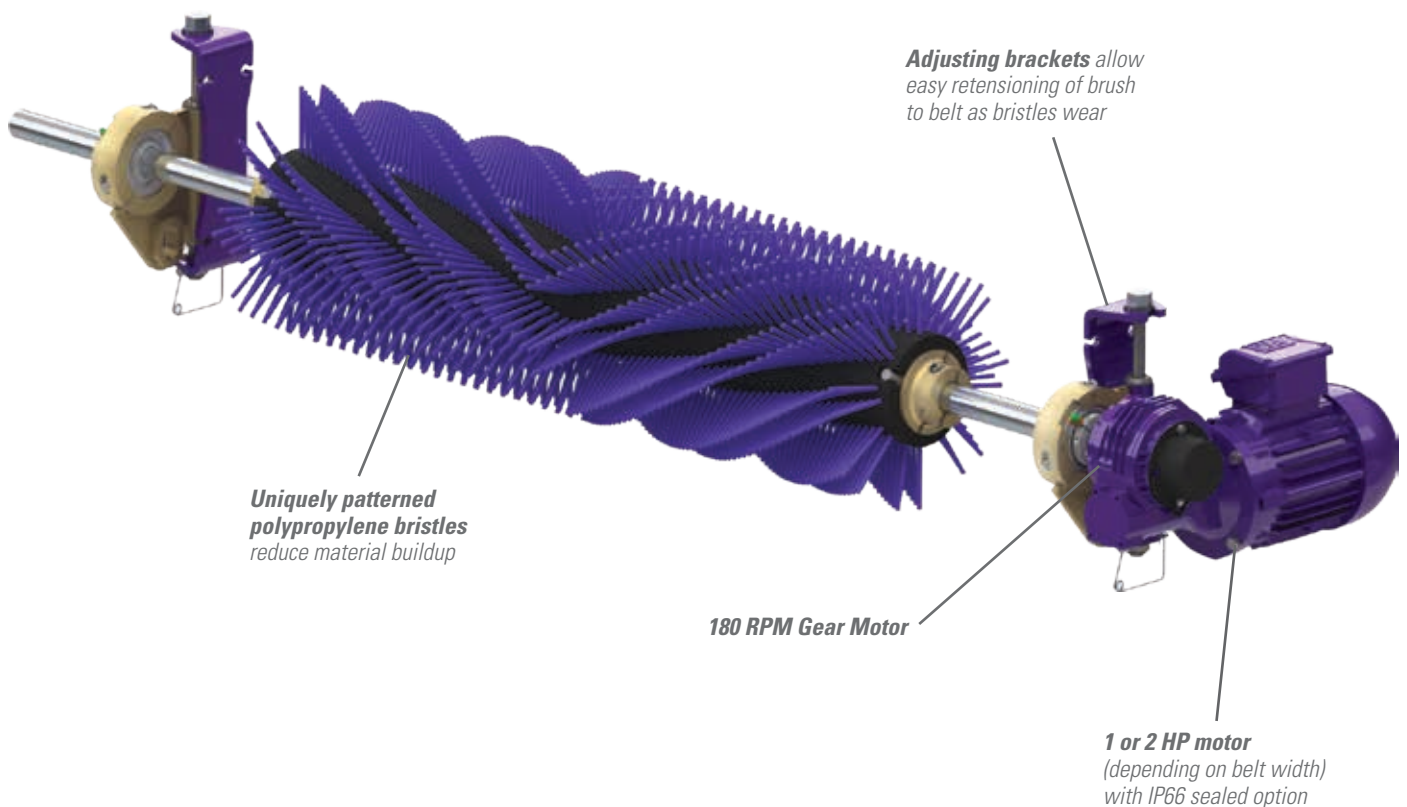


Motorized Brush Cleaner

Effectively Cleans Stubborn Wood Dust off Chevron Belts

Chevron belts present a special problem for efficient cleaning especially when chips and bark are wet. There is more surface area and cavities for fines to stick to, and a traditional flat blade cleaner will not effectively clean the belt's surface. The Motorized Brush Cleaner is an ideal option for cleaning stubborn wood dust off these belts.



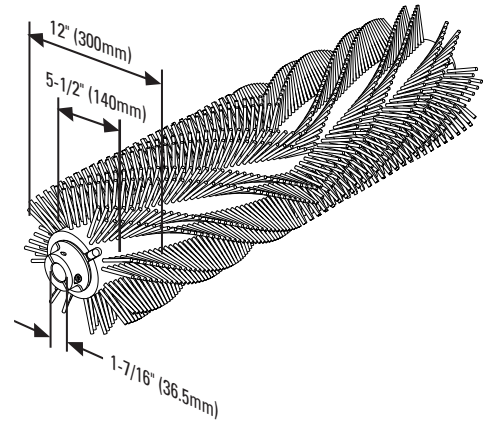
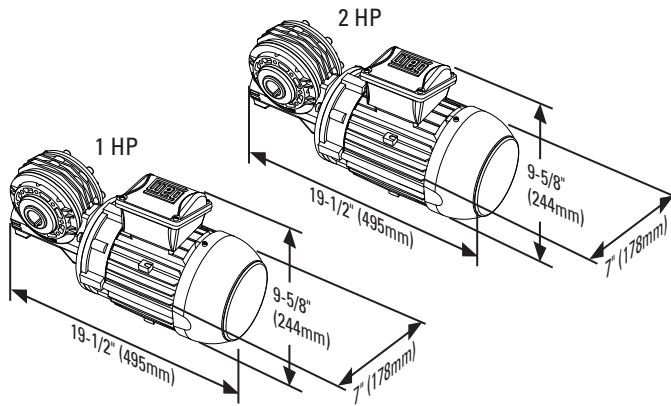
Features and Benefits

- **Maximum Cleaning.** Spins opposite the belt direction for optimal cleaning.
- **Uniquely patterned bristles.** Aids in reducing material buildup and clogging.
- **Adjustable tensioners.** Allows easy brush-to-belt adjustment as the bristles wear.
- **Works on mechanically spliced or vulcanized belts.**

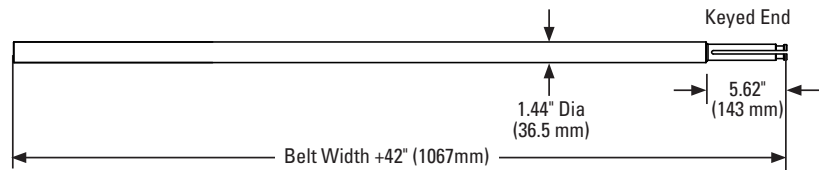
MOTORIZED BRUSH CLEANER

Specifications and Guidelines

- Maximum Belt Speed**
 700 FPM (3.5 m/s)
- Temperature Rating**
 -20°F to 180° F (-30° C to 82° C)
- CEMA Cleaner Rating**
 Class 4
- Overall Brush Diameter**
 12" (305mm)
- Bristle Material**
 Polypropylene
- Bristle Length**
 3-1/4" (83mm)
- Brush RPM**
 180
- Shaft Diameter**
 1-7/16" (36.5mm)
- Shaft Length**
 Belt Width + 42" (1067mm)
- Maximum Chevron or Cleat Height**
 1/2" (13mm)
- Motor Voltage and HP**
208-230/460VAC 3 Phase*
 1HP (Cleaners 18-42" (450-1050mm))
 2HP (Cleaners 48-84" (1200-2100mm))
575V 3 Phase*
 1HP (Cleaners 18-36" (450-900mm))
 2HP (Cleaners 42-84" (1050-2100mm))
 *other motors available upon request
- Motor Ingress Protection**
 IP55 or IP66
- Available for Belt Widths**
 18" to 84" (450 to 2100mm)
- Horizontal Clearance Required**
 12" (305mm)
- Vertical Clearance Required**
 12" (305mm)



Shaft Measurements



Ordering Information

Motorized Brush Cleaner 208-230/460 VAC 3-Phase Motor							
Belt Width		Brush Coverage		Ordering Number	Item Code	Ordering Number	Item Code
in.	mm	in.	mm	IP55		IP66	
18	450	18	450	MBC-18	79494	MBC-18-S	91571
24	600	24	600	MBC-24	79495	MBC-24-S	91572
30	750	30	750	MBC-30	79496	MBC-30-S	91573
36	900	36	900	MBC-36	79497	MBC-36-S	91574
42	1050	42	1050	MBC-42	79498	MBC-42-S	91575
48	1200	48	1200	MBC-48	79499	MBC-48-S	91576
54	1350	54	1350	MBC-54	79500	MBC-54-S	91577
60	1500	60	1500	MBC-60	79501	MBC-60-S	91578
72	1800	72	1800	MBC-72	79502	MBC-72-S	91579
84	2100	84	2100	MBC-84	79503	MBC-84-S	91580

Motorized Brush Cleaner 575V 3-Phase Motor							
Belt Width		Brush Coverage		Ordering Number	Item Code	Ordering Number	Item Code
in.	mm	in.	mm	IP55		IP66	
18	450	18	450	MBC-18-575V	79914	MBC-18-575V-S	91581
24	600	24	600	MBC-24-575V	79915	MBC-24-575V-S	91582
30	750	30	750	MBC-30-575V	79916	MBC-30-575V-S	91583
36	900	36	900	MBC-36-575V	79917	MBC-36-575V-S	91584
42	1050	42	1050	MBC-42-575V	79918	MBC-42-575V-S	91585
48	1200	48	1200	MBC-48-575V	79919	MBC-48-575V-S	91586
54	1350	54	1350	MBC-54-575V	79920	MBC-54-575V-S	91587
60	1500	60	1500	MBC-60-575V	79921	MBC-60-575V-S	91588
72	1800	72	1800	MBC-72-575V	79922	MBC-72-575V-S	91589
84	2100	84	2100	MBC-84-575V	79923	MBC-84-575V-S	91590

Replacement Brushes	
Ordering Number	Item Code
MBRD-18	79514
MBRD-24	79515
MBRD-30	79516
MBRD-36	79517
MBRD-42	79518
MBRD-48	79519
MBRD-54	79520
MBRD-60	79521
MBRD-72	79522
MBRD-84	79523

Lead time: 1 working day

Authorized Distributor:

