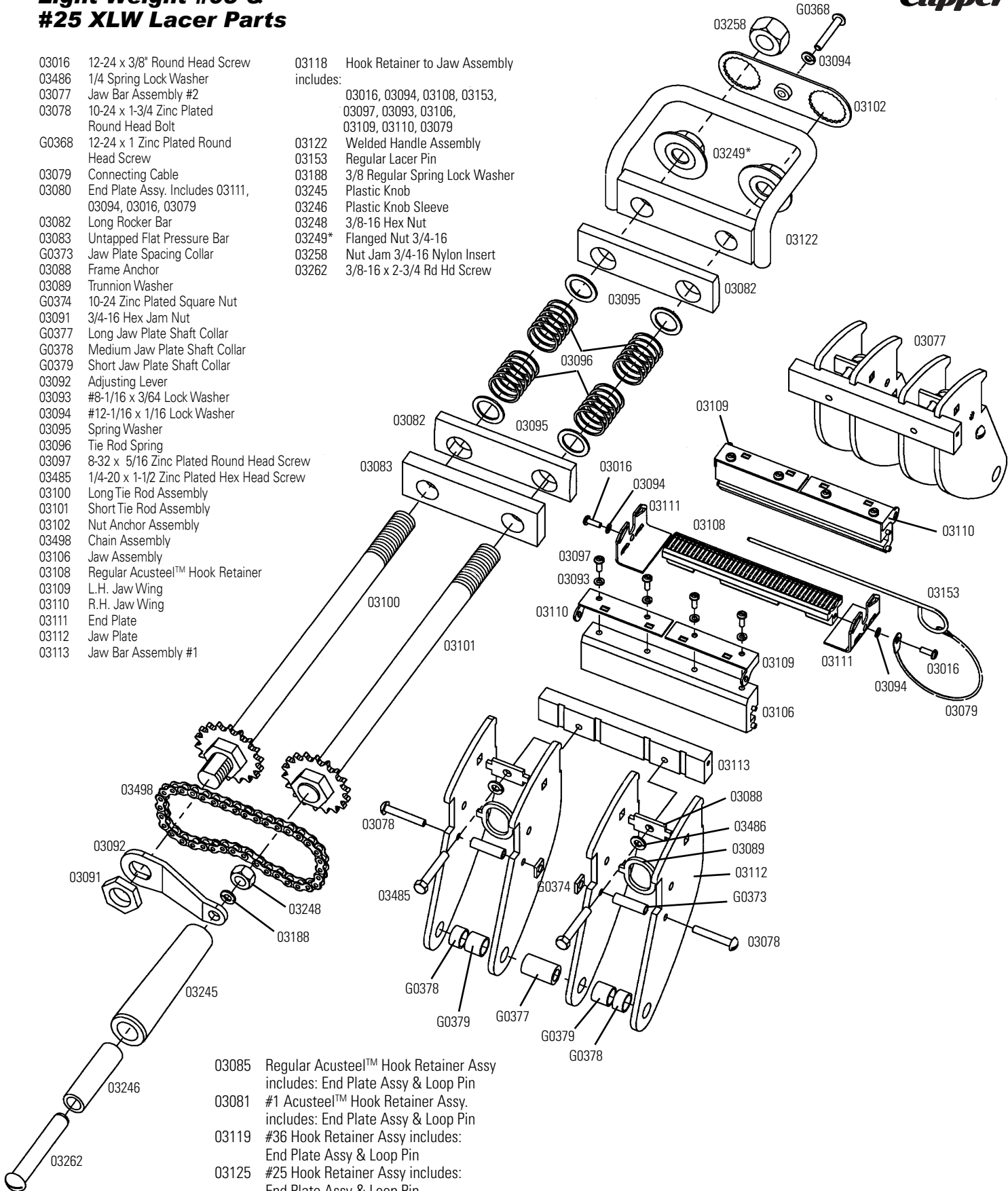


PARTS LIST

Light Weight #95 & #25 XLW Lacer Parts

- | | | | |
|-------|---|-----------------------------|--------------------------------|
| 03016 | 12-24 x 3/8" Round Head Screw | 03118 | Hook Retainer to Jaw Assembly |
| 03486 | 1/4 Spring Lock Washer | includes: | |
| 03077 | Jaw Bar Assembly #2 | 03016, 03094, 03108, 03153, | |
| 03078 | 10-24 x 1-3/4 Zinc Plated Round Head Bolt | 03097, 03093, 03106, | |
| G0368 | 12-24 x 1 Zinc Plated Round Head Screw | 03109, 03110, 03079 | |
| 03079 | Connecting Cable | 03122 | Welded Handle Assembly |
| 03080 | End Plate Assy. Includes 03111, 03094, 03016, 03079 | 03153 | Regular Lacer Pin |
| 03082 | Long Rocker Bar | 03188 | 3/8 Regular Spring Lock Washer |
| 03083 | Untapped Flat Pressure Bar | 03245 | Plastic Knob |
| G0373 | Jaw Plate Spacing Collar | 03246 | Plastic Knob Sleeve |
| 03088 | Frame Anchor | 03248 | 3/8-16 Hex Nut |
| 03089 | Trunnion Washer | 03249* | Flanged Nut 3/4-16 |
| G0374 | 10-24 Zinc Plated Square Nut | 03258 | Nut Jam 3/4-16 Nylon Insert |
| 03091 | 3/4-16 Hex Jam Nut | 03262 | 3/8-16 x 2-3/4 Rd Hd Screw |
| G0377 | Long Jaw Plate Shaft Collar | | |
| G0378 | Medium Jaw Plate Shaft Collar | | |
| G0379 | Short Jaw Plate Shaft Collar | | |
| 03092 | Adjusting Lever | | |
| 03093 | #8-1/16 x 3/64 Lock Washer | | |
| 03094 | #12-1/16 x 1/16 Lock Washer | | |
| 03095 | Spring Washer | | |
| 03096 | Tie Rod Spring | | |
| 03097 | 8-32 x 5/16 Zinc Plated Round Head Screw | | |
| 03485 | 1/4-20 x 1-1/2 Zinc Plated Hex Head Screw | | |
| 03100 | Long Tie Rod Assembly | | |
| 03101 | Short Tie Rod Assembly | | |
| 03102 | Nut Anchor Assembly | | |
| 03498 | Chain Assembly | | |
| 03106 | Jaw Assembly | | |
| 03108 | Regular Acusteel™ Hook Retainer | | |
| 03109 | L.H. Jaw Wing | | |
| 03110 | R.H. Jaw Wing | | |
| 03111 | End Plate | | |
| 03112 | Jaw Plate | | |
| 03113 | Jaw Bar Assembly #1 | | |

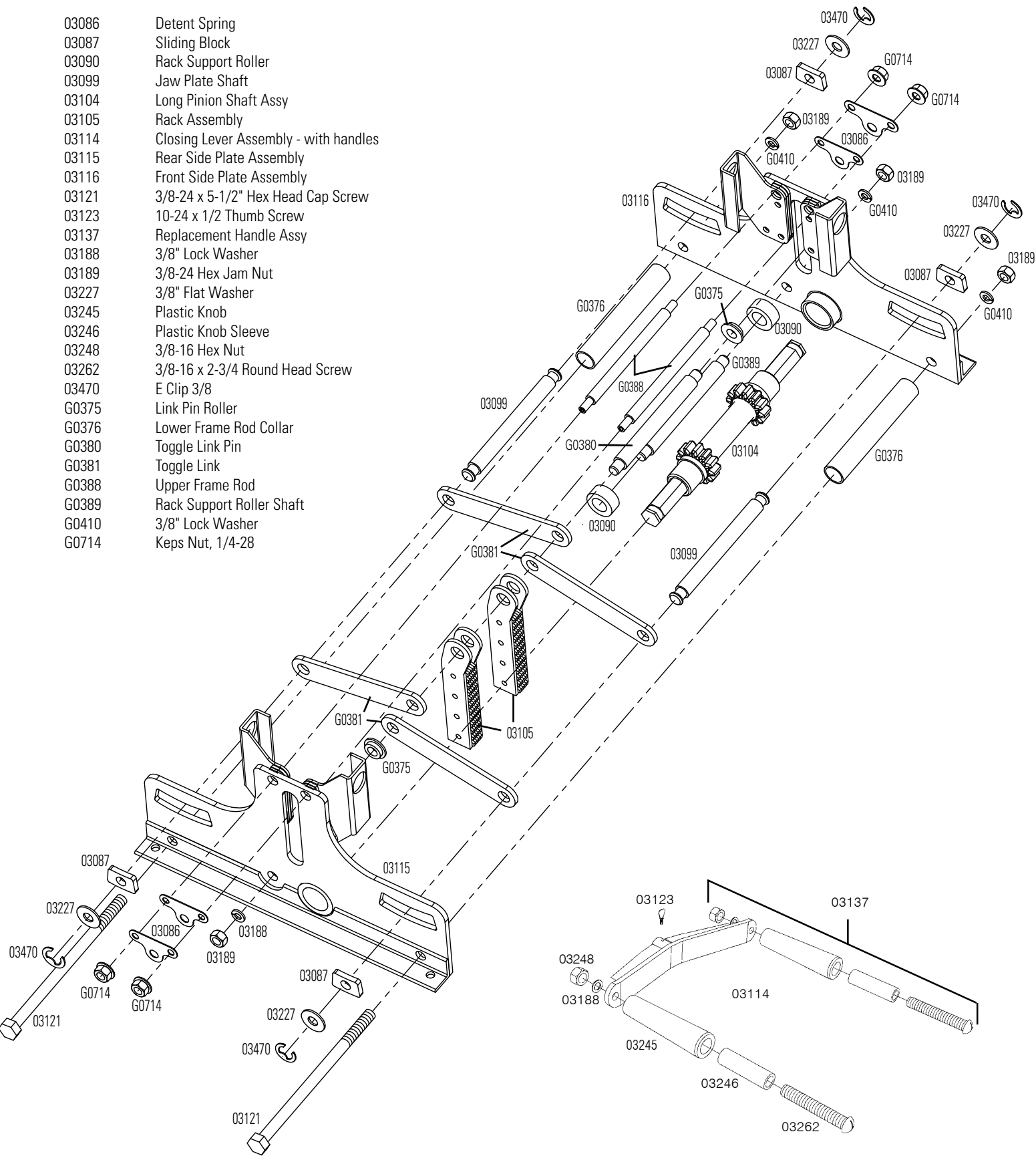


- | | |
|-------|--------------------------------------|
| 03085 | Regular Acusteel™ Hook Retainer Assy |
| | includes: End Plate Assy & Loop Pin |
| 03081 | #1 Acusteel™ Hook Retainer Assy. |
| | includes: End Plate Assy & Loop Pin |
| 03119 | #36 Hook Retainer Assy includes: |
| | End Plate Assy & Loop Pin |
| 03125 | #25 Hook Retainer Assy includes: |
| | End Plate Assy & Loop Pin |

* Units prior to S/N 02673 use two (2) 03249 and one (1) 03102 if either nut or nut anchor is replaced.
 **If either tie rod is required, both tie rods must be replaced.



- 03086 Detent Spring
- 03087 Sliding Block
- 03090 Rack Support Roller
- 03099 Jaw Plate Shaft
- 03104 Long Pinion Shaft Assy
- 03105 Rack Assembly
- 03114 Closing Lever Assembly - with handles
- 03115 Rear Side Plate Assembly
- 03116 Front Side Plate Assembly
- 03121 3/8-24 x 5-1/2" Hex Head Cap Screw
- 03123 10-24 x 1/2 Thumb Screw
- 03137 Replacement Handle Assy
- 03188 3/8" Lock Washer
- 03189 3/8-24 Hex Jam Nut
- 03227 3/8" Flat Washer
- 03245 Plastic Knob
- 03246 Plastic Knob Sleeve
- 03248 3/8-16 Hex Nut
- 03262 3/8-16 x 2-3/4 Round Head Screw
- 03470 E Clip 3/8
- G0375 Link Pin Roller
- G0376 Lower Frame Rod Collar
- G0380 Toggle Link Pin
- G0381 Toggle Link
- G0388 Upper Frame Rod
- G0389 Rack Support Roller Shaft
- G0410 3/8" Lock Washer
- G0714 Keps Nut, 1/4-28



2525 Wisconsin Avenue • Downers Grove, IL 60515-4200 • USA
 Tel: (630) 971-0150 • Fax: (630) 971-1180 • E-mail: info@flexco.com

Visit www.flexco.com for other Flexco locations and products.

©2018 Flexible Steel Lacing Company. 08/05/18. For reorder: X5450

