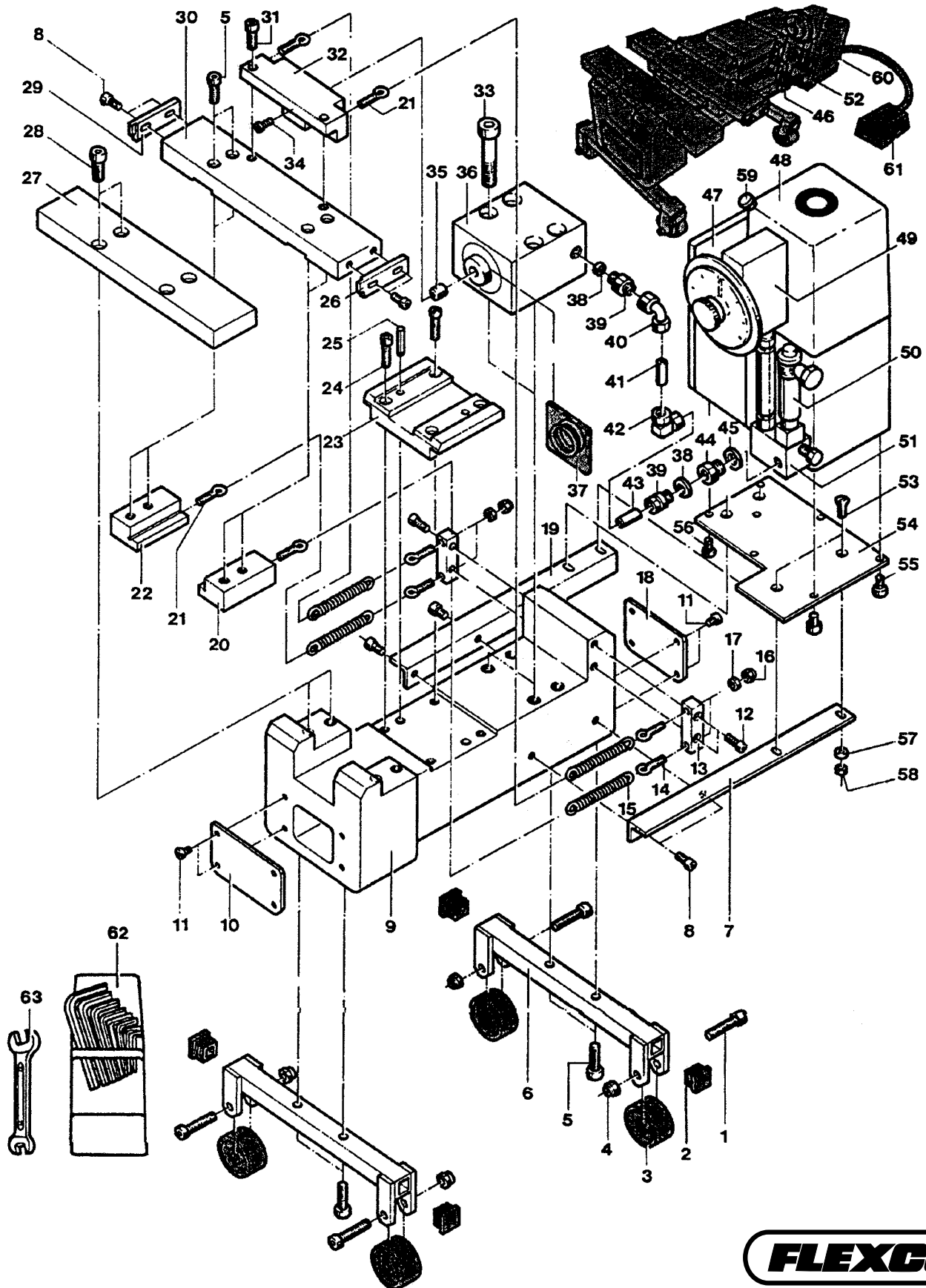


Pro 400

PARTS LIST

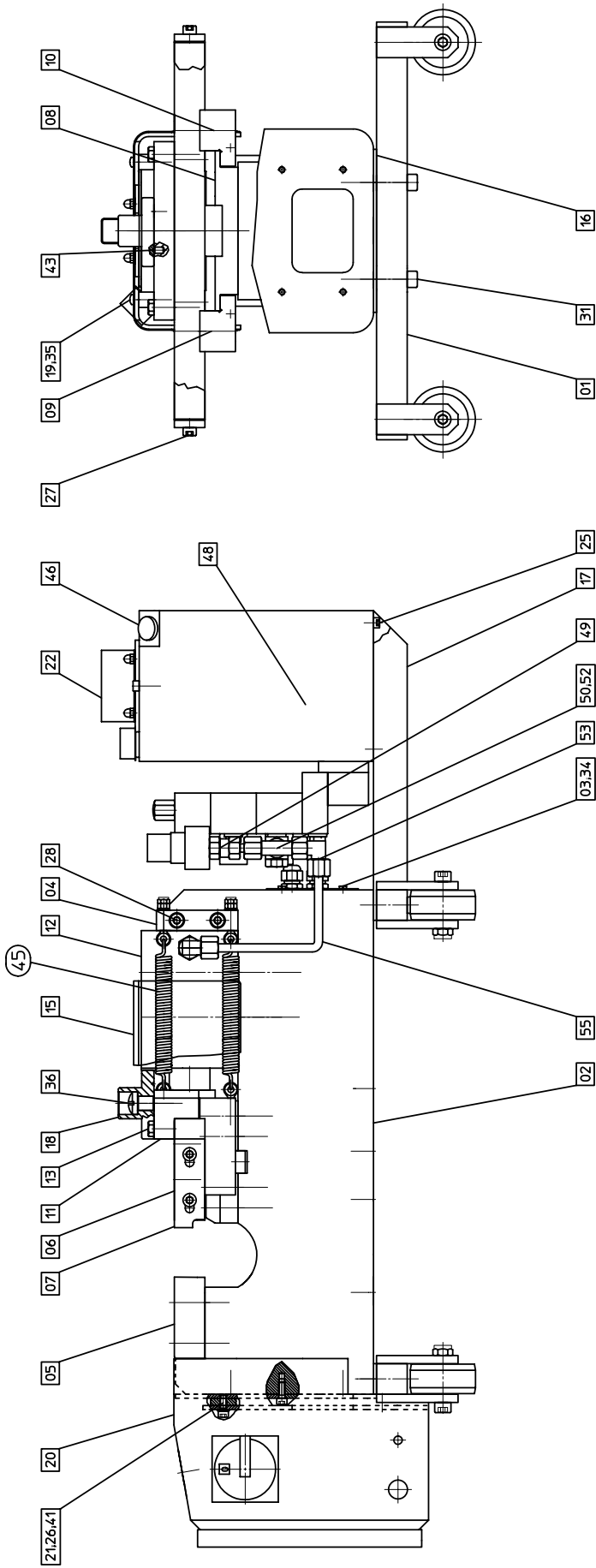


PRO 400 PARTS LIST

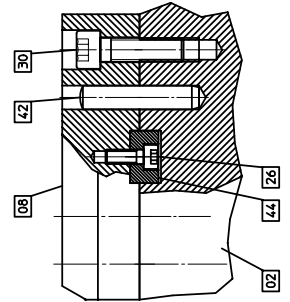
ITEM	QTY	ITEM CODE	DESCRIPTION
01	4		HSHC SCREW
02	4		PVC PLUG
03	4		WHEEL
04	4		SELF-LOCKING HEX NUT
05	12		HSHC SCREW
06	2		WHEEL BRACKET
07	1		PUMP HOLDER, RIGHT
08	8		HSHC SCREW
09	1		CAST BODY P400 COMPLETE, PAINTED
10	1		COVER SHEET, FRONT
11	8		SLOTTED CHEESE HEAD SCREW
12	4		HSHC SCREW
13	2		SPRING HOLDER
14	4		LIFTING EYE BOLTS
15	4		SPRING
16	4		SELF-LOCKING HEX NUT
17	4		HEX NUT
18	1		COVER SHEET, REAR
19	1		PUMP HOLDER, LEFT
20	1		SLIDING JAW TRACK, RIGHT
21	4		LIFTING EYE BOLTS
22	1		SLIDING JAW GUIDE TRACK, LEFT
23	1		SLIDING JAW GUIDE PLATE
24	4		HSHC SCREW
25	2		PARALLEL PIN
26	1		RETAINER HOLDING PLATE, RIGHT
27	1		FIXED JAW
28	4		HSHC SCREW
29	1		RETAINER HOLDING PLATE, LEFT
30	1		SLIDING JAW
31	2		HSHC SCREW
32	1		PRESS BLOCK
33	4		HSHC SCREW
34	1		HSHC SCREW
35	1		BUSHING
36	1		CYLINDER
37	1		SEAL SET FOR CYLINDER
38	2		SEAL RING
39	2		HYDRAULIC FITTING
40	1		HYDRAULIC FITTING

PRO 400 PARTS LIST (Continued)

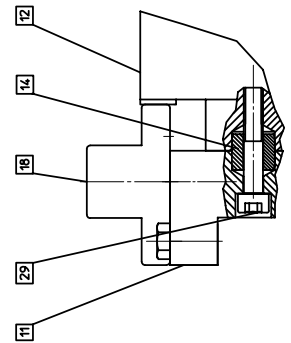
41	1		HYDRAULIC TUBE
42	1		HYDRAULIC FITTING
43	1		HYDRAULIC TUBE
44	1		REDUCTION PIECE
45	1		SEAL RING
46	1		HYDRAULIC FITTINGS
47	1		ELECTRIC SWITCH BOX
47A	1		SWITCH BLOCK
47B	1		BI-RELAY MOTOR
47C	1		CONTRACTOR
47D	1		CAPACITOR
47E	1		FUSE 2A
47F	1		CASING
47G	1		SMALL-PART SET
48	1		HYDRAULIC PUMP UNIT
49	1		HYDRAULIC PRESSURE SWITCH
50	1		MAGNETIC VALVE
50A	1		MAGNETIC VALVE EXCHANGE
51	1		CONNECTING BLOCK TYPE B
52	1		COMPLETE CONNECTING BLOCK
53	4		SLOTTED COUNTERSUNK HS
54	1		PUMP BASE PLATE
55	4		SHC SCREW
56	3		SELF-TAPPING SCREW
57	4		WASHER
58	4		HEX NUT
59	1		AIR FILTER
60	1		HYDRAULIC UNIT
61	1		FOOT PEDAL
62	1		SHC SCREW DRIVER SET
63	2		WRENCH



guide plate assembly 11



press block assembly 11



PRO 400

SPARE PART LIST PRO400

POS	QTY	DESCRIPTION	Draw.-No.
01	2	WHEEL BRACKET	AMK-4H-001
02	1	CAST BODY	AMU-4T-005
03	1	COVER SHEET REAR	AMU-4T-006
04	2	SPRING HOLDER	AMU-4T-007
05	1	FIXED JAW	AMK-4H-004
06	1	SLIDING JAW	AMK-4H-005
07		SIDE LAY	AMK-4H-006
08	1	SLIDING JAW GUIDE PLATE	AMU-4T-010
09	1	SLIDING JAW GUIDE TRACK LEFT	AMU-4T-011
10	1	SLIDING JAW GUIDE TRACK RIGHT	AMU-4T-012
11	1	PRESS BLOCK	AMU-4T-013
12	1	CYLINDER 200 KN	AMU-4T-016
13	2	WASHER HEAD BOLT	AMU-4T-025
14	1	BUSHING	AMU-4T-026
15	1	CYLINDER COVER	AMU-4T-027
16	1	SPACER	AMU-4T-028
17	1	PUMP BASE PLATE	AMU-4T-029
18	1	SPACER WASHER	ARU-2T-024
19	2	SPACER	ARU-2T-032

SPARE PART LIST PRO400

POS	QTY	DESCRIPTION	Draw.-No.
20	1	ELECTRIC SWITCH BOX	ARU-2T-047
21	2	SPACER	ARU-2T-048
22	1	COVER SHEET	HP1000-003
25	4	HSHC SCREW DIN 912 M6X12	
26	6	HSHC SCREW DIN 912 M6X16	
27	4	HSHC SCREW DIN 912 M6X16	
28	4	HSHC SCREW DIN 912 M8X30	
29	4	HSHC SCREW DIN 912 M8X50	
30	4	HSHC SCREW DIN 912 M10x35	
31	8	HSHC SCREW DIN 912 M10x45	
32	4	HSHC SCREW DIN 912 M12X35	
33	4	HSHC SCREW DIN 912 M16X120	
34	4	SLOTTED CHEES HEAD SCREW DIN 84 M4x6	
35	2	BUTTON HEAD SOCKET SCREWS ISO 7380 M5x25	
36	1	BUTTON HEAD SCREWS NLM754-12	
37	4	EYE BOLTS DIN 444 M6X30	
38	4	EYE BOLTS DIN 444 M6X40	
39	4	HEXAGON NUT DIN 934 M6	
40	4	SELF LOCKING HEXAGON NUT DIN 985 M6	

SPARE PART LIST PRO400

POS	QTY	DESCRIPTION	Draw.-No.
41	6	WASHERS DIN 125-B-6.4 ZINC PLATED	
42	2	PARALLEL PIN DIN 6325 10M6X50	
43	2	SPRING PLUNGER	
44	2	NOTCH-STONE NLM 03250-22	
45	4	SPRINGS	
46	1	HYDRAULIC UNIT	
47	1	FOOTPEDAL STEUTE GFSM 1Ö/1S	
49	1	HYDRAULIC FITTING MAVE08SR1/4A3C	
50	1	HYDRAULIC FITTING WH08SRA3C	
51	1	HYDRAULIC FITTING GE08SRA3C	
52	1	HYDRAULIC FITTING ET08SRA3C	
53	2	HYDRAULIC FITTING EW08SA3C	
54	1	REDUCTION PIECE RI1/2EDX1/4A3C	
55	1	HYDRAULIC TUBE 8X1.5MM	



2525 Wisconsin Avenue • Downers Grove, IL 60515-4200 • USA
 Tel: (630) 971-0150 • Fax: (630) 971-1180 • E-mail: info@flexco.com

Visit www.flexco.com for other Flexco locations and products.

©2018 Flexible Steel Lacing Company. 06/19/18. For Reorder: X5388

