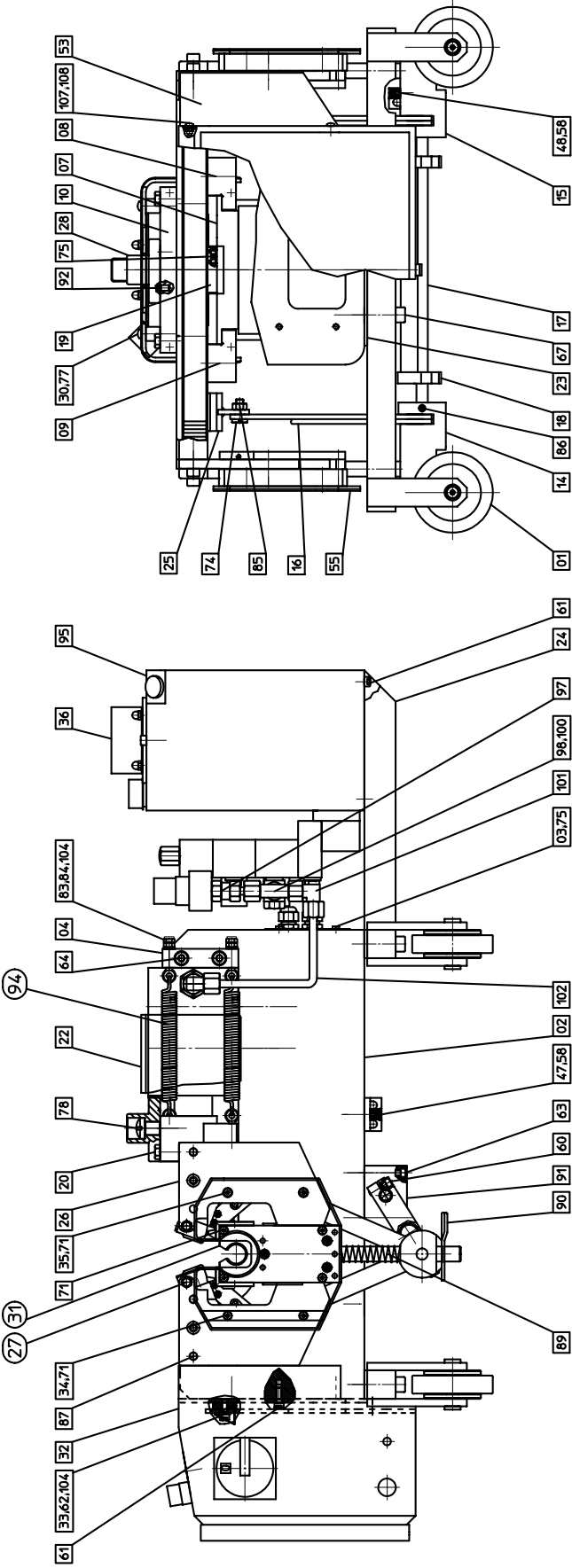


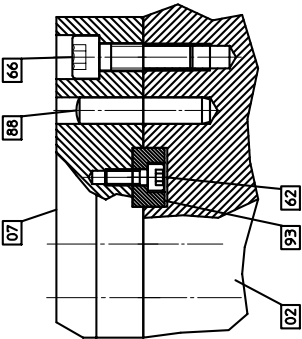
Pro 600 and Pro 6000

PARTS LIST

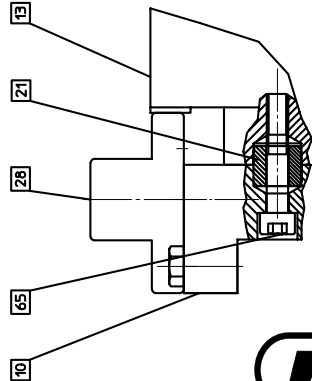


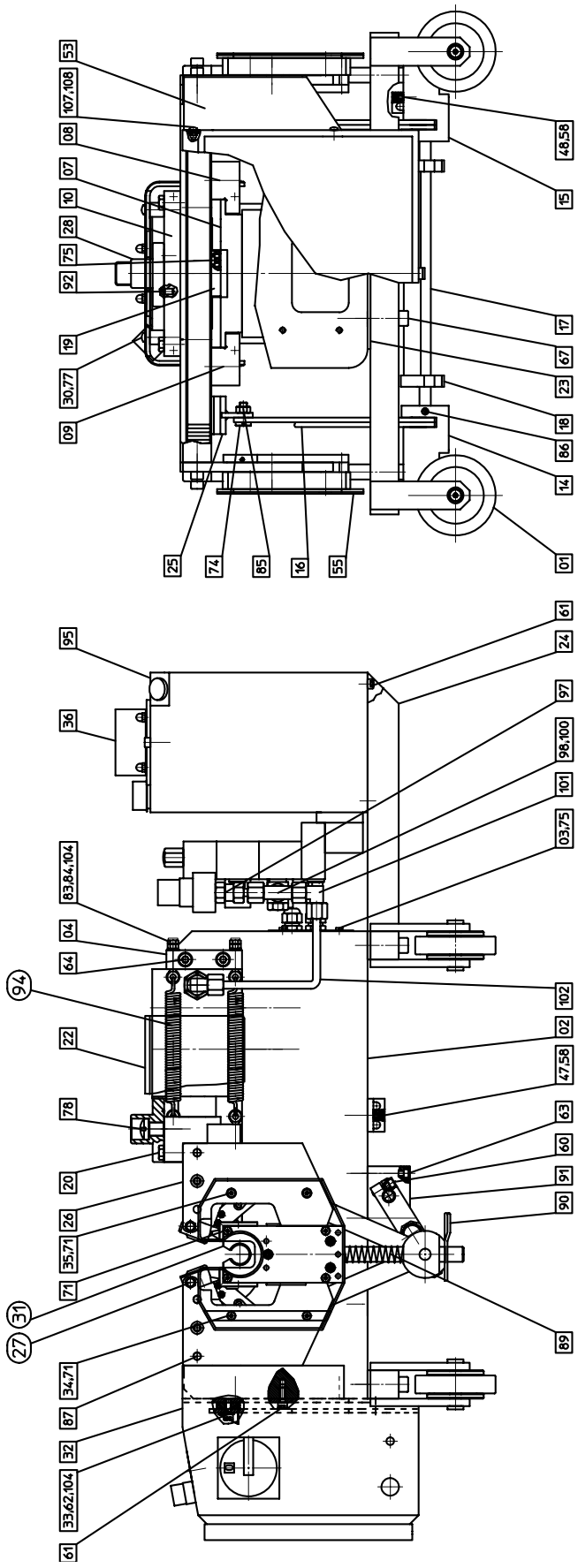
PRO 6000

guide plate assembly 1:1

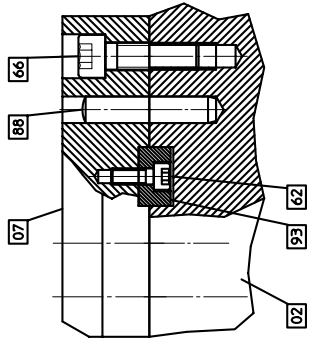


press block assembly 1:1

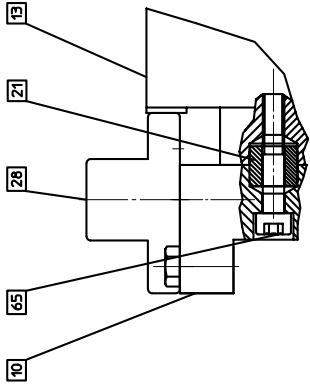




guide plate assembly 1:1



press block assembly 1:1



PRO 600

SPARE PART LIST PRO6000

POS	QTY	DESCRIPTION	Draw.-No.
01	2	WHEEL BRACKET	AMK-4T-001
02	1	CAST BODY	AMU-4T-005
03	1	COVER SHEET REAR	AMU-4T-006
04	2	SPRING HOLDER	AMU-4T-007
05	1	SLIDING JAW	AMU-6T-002
06	1	FIXED JAW	AMU-6T-001
07	1	SLIDING JAW GUIDE PLATE	AMU-4T-010
08	1	SLIDING JAW GUIDE TRACK RIGHT	AMU-4T-011
09	1	SLIDING JAW GUIDE TRACK LEFT	AMU-4T-012
10	1	PRESS BLOCK	AMU-4T-013
11	1	PRESSING JAWS LONG	AMU-6T-003
12	1	PRESSING JAWS SHORT	AMU-6T-004
13	1	CYLINDER 200 KN	AMU-4T-016
14	1	SHAFT-END LEFT	AMU-4T-017
15	1	SHAFT-END RIGHT	AMU-4T-030
16	4	ARMS	ARU-2T-020
17	1	ROD	AMU-4T-019
18	1	SHOCK-ABSORBER FORCK	AMU-4T-020
19	2	SLIDING BLOCK	AMU-4T-024

SPARE PART LIST PRO6000

POS	QTY	DESCRIPTION	Draw.-No.
20	2	WASHER HEAD BOLT M8	AMU-4T-025
21	1	BUSHING	AMU-4T-026
22	1	CYLINDER COVER	AMU-4T-027
23	1	SPACER	AMU-4T-028
24	1	PUMP BASE PLATE	AMU-4T-029
25	4	LEVER	ARU-2T-018
26	2	COMP TRACKING PLATE	ARU-2T-021
27	4	WASHER HEAD BOLT M6	ARU-2T-022
28	1	SPACER WASHER	ARU-2T-024
30	2	SPACER	ARU-2T-032
31	2	SLIDING BLOCK GUIDE	ARU-2T-033
32	1	ELECTRIC SWITCH BOX	ARU-2T-047
33	2	SPACER	ARU-2T-048
34	2	SLIDE BAR	ARU-2T-051
35	4	SPACER	ARU-2T-052
36	1	COVER SHEET	HP1000-003
37	1	SLAT, PRESSING JAWS LONG	AMU-6T-005
38	1	SLAT, PRESSING JAWS SHORT	AMU-6T-006
39	1	COVER PLATE	AMU-6T-007
40	1	LEVER	AMU-6T-008

SPARE PART LIST PRO6000

POS	QTY	DESCRIPTION	Draw.-No.
41	1	INSULATION PLATE 1, SLIDING JAWS	AMU-6T-009
42	1	INSULATION PLATE 2, SLIDING JAWS	AMU-6T-010
43	2	INSULATION PLATE 1, SLIDING AND FIXED JAWS	AMU-6T-011
44	2	INSULATION PLATE 2, SLIDING AND FIXED JAWS	AMU-6T-012
45	1	INSULATION PLATE 1, FIXED JAWS	AMU-6T-013
46	1	INSULATION PLATE 2, FIXED JAWS	AMU-6T-014
47	1	DOUBLE CLAMP	ARU-3T-009
48	1	SINGLE CLAMP	ARU-3T-010
49	1	LEVER, PRESSING JAW SHORT	AMU-3T-014
50	1	SUBLEMENTERY LEVER, PRESSING JAW LONG	AMU-3T-015
51	1	SUBLEMENTERY LEVER, PRESSING JAW SHORT	AMU-3T-016
52	1	WIREHOLDER	AMU-3T-017
53	1	COVER RIGHT	AMU-4T-031
54	1	COVER LEFT	AMU-4T-032
55	2	SLIDING BLOCK GUIDE COVER	ARU-2T-050
56	4	HS HC SCREW DIN 912 M3X6	
57	8	HS HC SCREW DIN 912 M3X12	
58	1	HS HC SCREW DIN 912 M4X12	
59	1	HS HC SCREW DIN 912 M4X20	
60	4	HS HC SCREW DIN 912 M5X20	

SPARE PART LIST PRO6000

POS	QTY	DESCRIPTION	Draw.-No.
61	4	HSHC SCREW DIN 912 M6X12	
62	6	HSHC SCREW DIN 912 M6X16	
63	2	HSHC SCREW DIN 912 M6X50	
64	4	HSHC SCREW DIN 912 M8X30	
65	1	HSHC SCREW DIN 912 M8X50	
66	4	HSHC SCREW DIN 912 M10x35	
67	8	HSHC SCREW DIN 912 M10x45	
68	4	HSHC SCREW DIN 912 M12X35	
69	4	HSHC SCREW DIN 912 M16X120	
70	26	HS COUNTERSUNK HS DIN 7991 M3X6	
71	8	HS COUNTERSUNK HS DIN 7991 M4X10	
72	8	HS COUNTERSUNK HS DIN 7991 M4X12	
73	8	HS COUNTERSUNK HS DIN 7991 M5X10	
74	4	SLOTTED PAN HEAD SCREW DIN 923 M8	ARU-2T-027
75	8	HSHC SCREW DIN 7984 M8X20	
76	4	SLOTTED CHEESE HEAD SCREW DIN 84 M4x6	
77	2	BUTTON HEAD SOCKET SCREWS ISO 7380 M5x25	
78	1	BUTTON HEAD SCREWS NLM 754-12	
79	4	EYE BOLTS DIN 444 M6X30	
80	4	EYE BOLTS DIN 444 M6X40	

SPARE PART LIST PRO6000

POS	QTY	DESCRIPTION	Draw.-No.
81	4	HEXAGON HEAD SCREWS DIN 933 M3x6	
82	4	HEXAGON NUT DIN 934 M3	
83	4	HEXAGON NUT DIN 934 M6	
84	4	SELF LOCKING HEXAGON NUT DIN 985 M6	
85	4	SELF LOCKING HEXAGON NUT DIN 985 M8	
86	1	HS SET SCREW CONE POINT DIN 914 M6x10	
87	8	PARALLEL PIN DIN 6325 8M6X22	
88	2	PARALLEL PIN DIN 6325 10M6X50	
89	2	SPRING	ARU-2T-052
90	2	SPRING PIN SIZE 3	
91	1	SHOCK-ABSORBER	
92	2	SPRING PLUNGER	
93	2	NOTCH-STONE NLM 03250-22	
94	4	SPRINGS	
95	1	HYDRAULIC UNIT	
96	1	FOOTPEDAL STEUTE GFSM 1Ö/1S	
97	1	HYDRAULIC FITTING MAVE08SR1/4A3C	
98	1	HYDRAULIC FITTING WH08SRA3C	
99	1	HYDRAULIC FITTING GE08SRA3C	

SPARE PART LIST PRO6000

POS	QTY	DESCRIPTION	Draw.-No.
100	1	HYDRAULIC FITTING ET08SRA3C	
101	2	HYDRAULIC FITTING EW08SA3C	
102	1	HYDRAULIC TUBE 8X1.5MM	
103	1	REDUCTION PIECE RI1/2EDX1/4A3C	
104	6	WASHERS DIN 125-B-6.4 ZINC PLATED	
105	2	CARTRIDGE HEATER	
106	1	RESISTANCE THERMOMETER	
107	4	BUTTON HEAD SOCKET SCREWS ISO 7380 M4x10	
108	4	SELF LOCKING HEXAGON NUT DIN 985 M4	

SPARE PART LIST PRO 600

POS	QTY	DESCRIPTION	Draw.-No.
01	2	WHEEL BRACKET	AMK-4T-001
02	1	CAST BODY	AMU-4T-005
03	1	COVER SHEET REAR	AMU-4T-006
04	2	SPRING HOLDER	AMU-4T-007
05	1	SLIDING JAW	AMU-4T-008
06	1	FIXED JAW	AMU-4T-009
07	1	SLIDING JAW GUIDE PLATE	AMU-4T-010
08	1	SLIDING JAW GUIDE TRACK RIGHT	AMU-4T-011
09	1	SLIDING JAW GUIDE TRACK LEFT	AMU-4T-012
10	1	PRESS BLOCK	AMU-4T-013
11	1	PRESSING JAWS LONG	AMU-4T-014
12	1	PRESSING JAWS SHORT	AMU-4T-015
13	1	CYLINDER 200 KN	AMU-4T-016
14	1	SHAFT-END LEFT	AMU-4T-017
15	1	SHAFT-END RIGHT	AMU-4T-030
16	4	ARMS	ARU-2T-020
17	1	ROD	AMU-4T-019
18	1	SHOCK-ABSORBER FORCK	AMU-4T-020
19	2	SLIDING BLOCK	AMU-4T-024

SPARE PART LIST PRO 600

POS	QTY	DESCRIPTION	Draw.-No.
20	2	WASHER HEAD BOLT M8	AMU-4T-025
21	1	BUSHING	AMU-4T-026
22	1	CYLINDER COVER	AMU-4T-027
23	1	SPACER	AMU-4T-028
24	1	PUMP BASE PLATE	AMU-4T-029
25	4	LEVER	ARU-2T-018
26	2	COMP TRACKING PLATE	ARU-2T-021
27	4	WASHER HEAD BOLT M6	ARU-2T-022
28	1	SPACER WASHER	ARU-2T-024
29	2	SPACER	ARU-2T-032
30	2	SLIDING BLOCK GUIDE	ARU-2T-033
31	1	ELECTRIC SWITCH BOX	ARU-2T-047
32	2	SPACER	ARU-2T-048
33	2	SLIDE BAR	ARU-2T-051
34	4	SPACER	ARU-2T-052
35	1	COVER SHEET	HP1000-003
36	1	COVER RIGHT	AMU-4T-031
37	1	COVER LEFT	AMU-4T-032
38	2	SLIDING BLOCK GUIDE COVER	ARU-2T-050
40	4	HSHC SCREW DIN 912 M5X20	

SPARE PART LIST PRO 600

POS	QTY	DESCRIPTION	Draw.-No.
41	4	HSHC SCREW DIN 912 M6X12	
42	6	HSHC SCREW DIN 912 M6X16	
43	2	HSHC SCREW DIN 912 M6X50	
44	4	HSHC SCREW DIN 912 M8X30	
45	1	HSHC SCREW DIN 912 M8X50	
46	4	HSHC SCREW DIN 912 M10x35	
47	8	HSHC SCREW DIN 912 M10x45	
48	4	HSHC SCREW DIN 912 M12X35	
49	4	HSHC SCREW DIN 912 M16X120	
50	8	HS COUNTERSUNK HS DIN 7991 M4X10	
51	8	HS COUNTERSUNK HS DIN 7991 M4X12	
52	8	HS COUNTERSUNK HS DIN 7991 M5X10	
53	4	SLOTTED PAN HEAD SCREW DIN 923 M8	ARU-2T-027
54	8	HSHC SCREW DIN 7984 M8X20	
55	4	SLOTTED CHEESE HEAD SCREW DIN 84 M4x6	
56	2	BUTTON HEAD SOCKET SCREWS ISO 7380 M5x25	
57	1	BUTTON HEAD SCREWS NLM 754-12	
58	4	EYE BOLTS DIN 444 M6X30	
59	4	EYE BOLTS DIN 444 M6X40	
60	4	HEXAGON NUT DIN 934 M6	

SPARE PART LIST PRO 600

POS	QTY	DESCRIPTION	Draw.-No.
61	4	SELF LOCKING HEXAGON NUT DIN 985 M6	
62	4	SELF LOCKING HEXAGON NUT DIN 985 M8	
63	1	HS SET SCREW CONE POINT DIN 914 M6x10	
64	8	PARALLEL PIN DIN 6325 8M6X22	
65	2	PARALLEL PIN DIN 6325 10M6X50	
66	2	SPRING	ARU-2T-052
67	2	SPRING PIN SIZE 3	
68	1	SHOCK-ABSORBER	
69	2	SPRING PLUNGER	
70	2	NOTCH-STONE NLM 03250-22	
71	4	SPRINGS	
72	1	HYDRAULIC UNIT	
73	1	FOOTPEDAL STEUTE GFSM 1Ö/1S	
75	1	HYDRAULIC FITTING MAVE08SR1/4A3C	
76	1	HYDRAULIC FITTING WH08SRA3C	
77	1	HYDRAULIC FITTING GE08SRA3C	
78	1	HYDRAULIC FITTING ET08SRA3C	
79	2	HYDRAULIC FITTING EW08SA3C	
80	1	HYDRAULIC TUBE 8X1.5MM	
81	1	REDUCTION PIECE RI1/2EDX1/4A3C	

SPARE PART LIST PRO 600

POS	QTY.	DESCRIPTION	Draw.-No.
82	6	WASHERS DIN 125-B-6.4 ZINC PLATED	
83	4	BUTTON HEAD SOCKET SCREWS ISO 7380 M4x10	
84	4	SELF LOCKING HEXAGON NUT DIN 985 M4	



2525 Wisconsin Avenue • Downers Grove, IL 60515-4200 • USA
Tel: (630) 971-0150 • Fax: (630) 971-1180 • E-mail: info@flexco.com

Visit www.flexco.com for other Flexco locations and products.

©2018 Flexible Steel Lacing Company. 06/19/18. For reorder: X5386

