

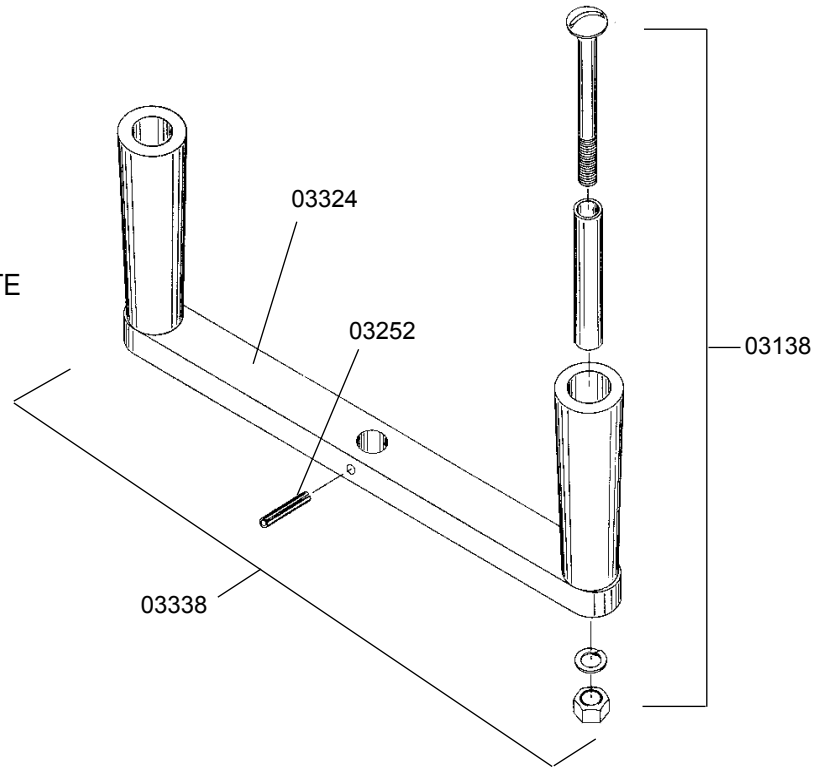
ROLLER LACER[®] PARTS LIST

FOR ROLLER LACERS WITH SERIAL NUMBERS BETWEEN 3500 - 49000



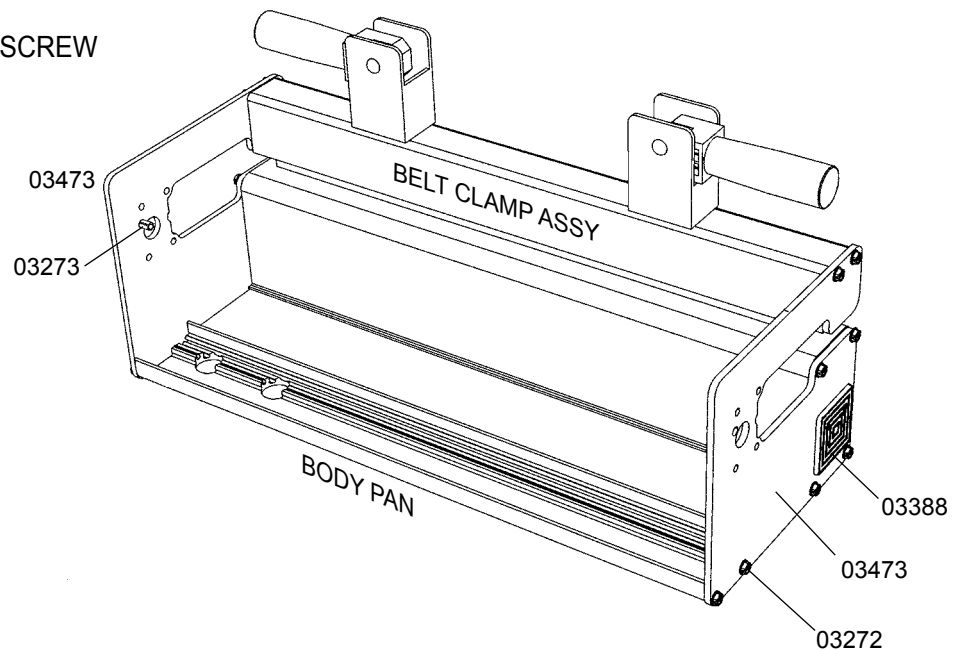
DRIVE HANDLE

- 03138 PLASTIC DRIVE KNOB ASSEMBLY
- 03252 3/16 x 1" SPRING PIN
- 03324 DRIVE HANDLE
- 03338 DRIVE HANDLE ASSEMBLY, COMPLETE



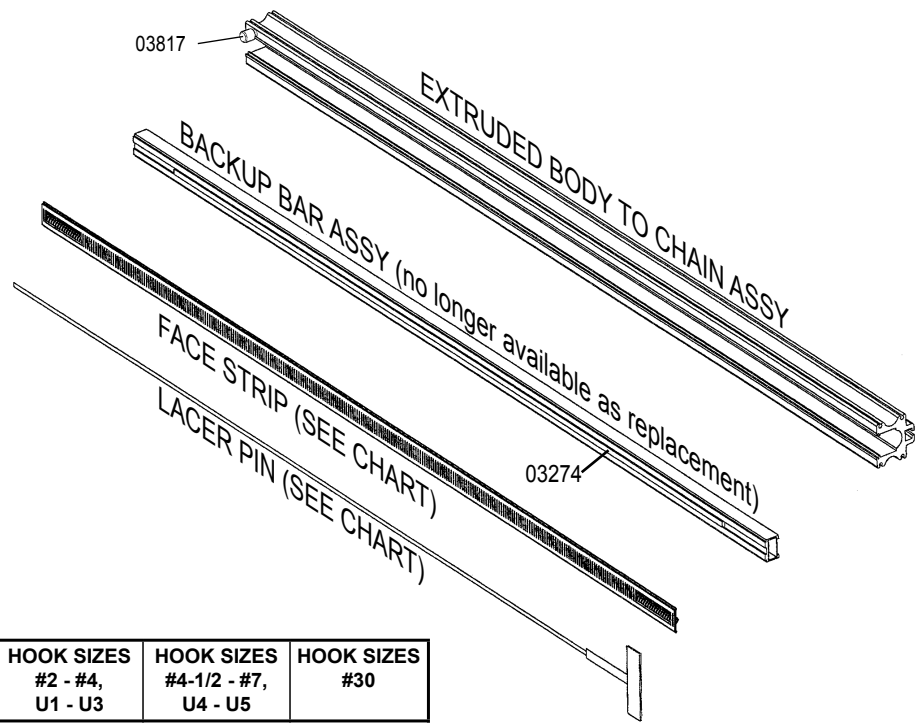
LACER FRAME

- 03272 10-24 x 3/4" WASHER HEAD SCREW
- 03273 1/4" x 1/2" SPRING PIN
- 03388 SLOTTED CAP
- 03473 END PLATE
- 03970 24" BELT CLAMP ASSY
- 03971 36" BELT CLAMP ASSY
- 03972 48" BELT CLAMP ASSY
- 03973 60" BELT CLAMP ASSY
- 03965 24" BODY PAN
- 03966 36" BODY PAN
- 03967 48" BODY PAN
- 03968 60" BODY PAN



LACER FRAME - CONT.

- 03817 FACE STRIP KNOB
- 03380 24" EXTRUDED BODY TO CHAIN ASSY
- 03381 36" EXTRUDED BODY TO CHAIN ASSY
- 03382 48" EXTRUDED BODY TO CHAIN ASSY
- 03383 60" EXTRUDED BODY TO CHAIN ASSY
- 03274 URETHANE STRIP (SOLD PER FOOT)



FACE STRIP CHARTS

Clipper® Face Strip Kits

MODEL NUMBER	LACER WIDTH	HOOK SIZES #36, UCM36	HOOK SIZES #1, UX-1, UX-1 SP	HOOK SIZES #2 - #4, U1 - U3	HOOK SIZES #4-1/2 - #7, U4 - U5	HOOK SIZES #30
03370	24" Face Strip Kit *	04020	04015	04025	04030	04064
	24" Lacer Pin	03997		04002		18111
03371	36" Face Strip Kit *	04021	04016	04026	04031	04065
	36" Lacer Pin	03998		04003		18112
03372	48" Face Strip Kit *	04022	04017	04027	04032	04066
	48" Lacer Pin	03999		04004		18113
03375	60" Face Strip	04023	04018	04028	04033	04067
	60" Lacer Pin	04000		04025		18114

*Face strip kits include the appropriate size lacer pin; lacer pins may also be purchased separately.

Alligator® Face Strips

MODEL NUMBER	LACER WIDTH	HOOK SIZES 00	HOOK SIZES 1 AND 7
03370	24" Face Strip	18244	19701
03371	36" Face Strip	18245	19702
03372	48" Face Strip	N/A	19703
03375	60" Face Strip	N/A	19704

Update Kit

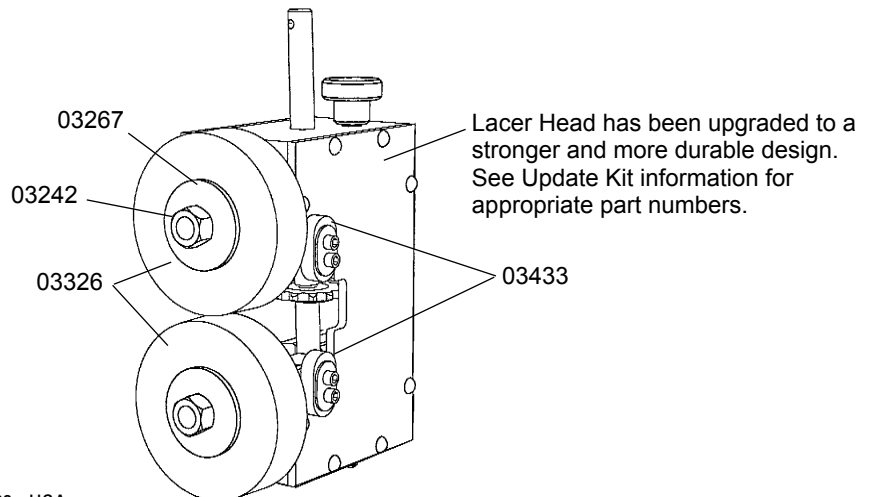
Includes new head, larger diameter rollers, plastic shelf, aluminum shelf, guide blocks and drive handle.

ITEM CODE	DESCRIPTION
03871	24" Head Update Kit
03872	36" Head Update Kit
03873	48" Head Update Kit
03874	60" Head Update Kit

LACER HEAD

- 03242 NYLON LOCK NUT
- 03267 FLAT WASHER
- 03326 ROLLER ASSEMBLY
- 03433 GUIDE BLOCK REPLACEMENT KIT

NOTE: Internal component parts for the lacer head assembly are not sold separately. If you wish to have the lacer head assembly repaired, please send it to the factory.



2525 Wisconsin Avenue • Downers Grove, IL 60515-4200 • USA
Tel: (630) 971-0150 • Fax: (630) 971-1180 • E-mail: info@flexco.com

Visit www.flexco.com for other Flexco locations and products.

©2018 Flexible Steel Lacing Company. Clipper® and Roller Lacer® are registered trademarks. 06/19/18. For reorder: X5384

