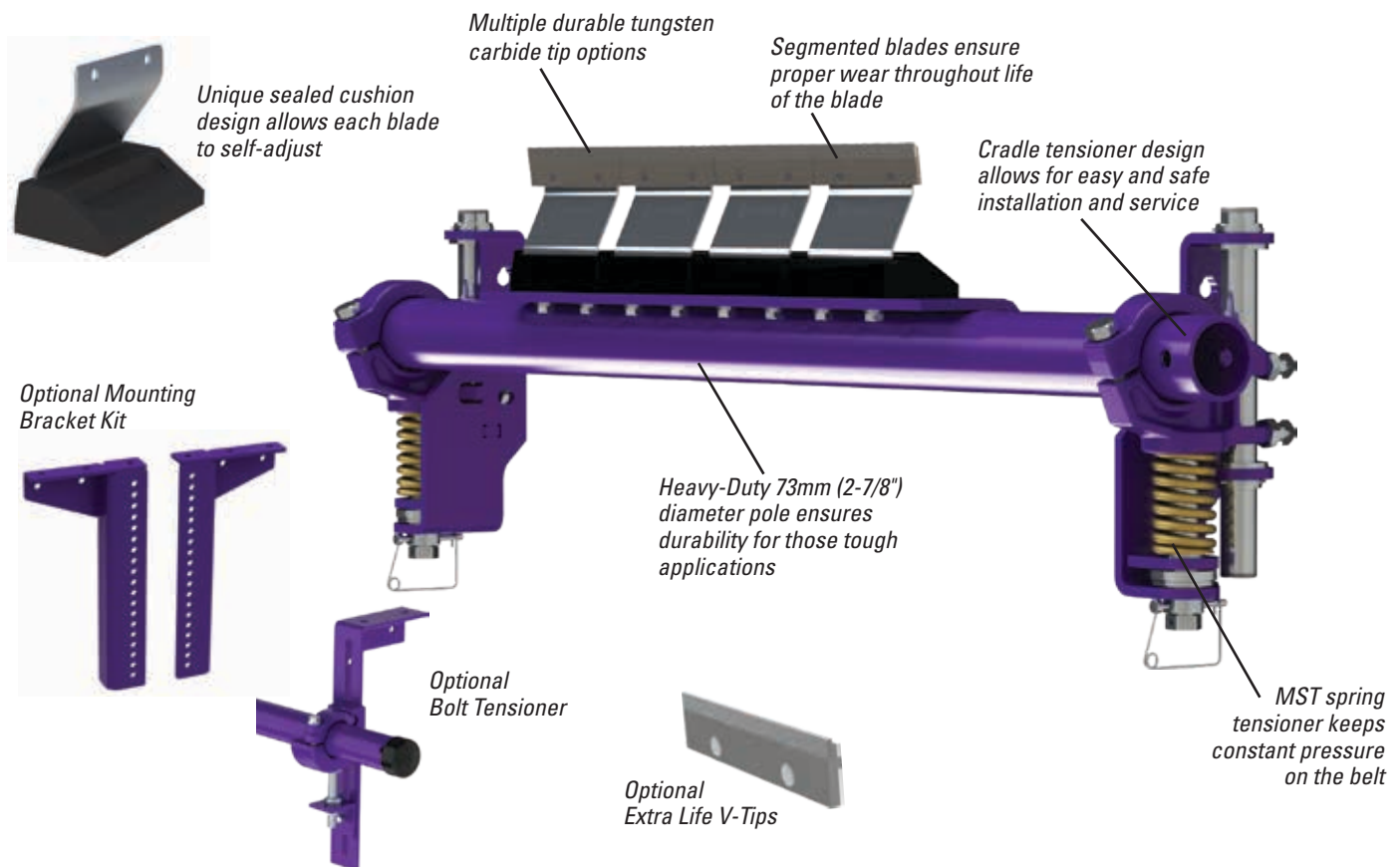


FMS Flexco Secondary Cleaner

Superior Cleaning Power

The FMS Secondary Belt Cleaner features carbide blades, self-adjusting spring tensioners and unique cushions that independently tension each blade to the belt. This simple but durable design provides quality cleaning performance on tough belts.



Features and Benefits

- **Made for mining conveyors.** Made from heavy-duty steel with corrosion-resistant powder coating or stainless steel, the FMS is available in sizes for belt widths from 450 to 2400mm (18" to 96"). Additional sizes are available upon request.
- **Compact spring tensioner.** Utilises the MST tensioner to maintain constant pressure on the belt.
- **Cleaning efficiency of metal blades.** The thin, hard edges of the 150mm (6") wide metal blades deliver high cleaning efficiency and long wear life.
- **Works with Flexco mechanical splices.** The C-Tip tungsten carbide blades are impact-resistant, and the spring cushion allows them to move away from a passing splice without damage and with minimal cleaning disruption. V-Tips can be used only on vulcanised belts.
- **A complete cleaning system.** When the FMS is teamed with the H-Type Primary Cleaner the system provides excellent cleaning power for tough applications.

FMS

Flexco Secondary Cleaner

Specifications and Guidelines

Maximum Belt Speed

5 m/s (1000 FPM)

Temperature Rating

-35° C to 82° C (-30° F to 180° F)

Usable Blade Wear Length

9 mm (3/8")

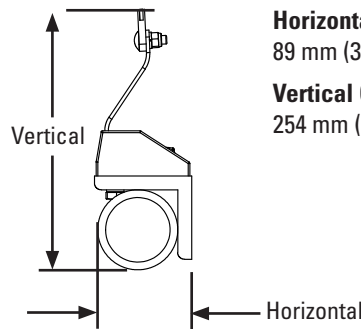
Available for Belt Widths

450 to 2400 mm (18" to 96")

Blade Material

Impact resistant, long-lasting tungsten carbide (C-Tips for mechanical fasteners, V-Tips for vulcanized belts)

Not suitable for reversing belts.

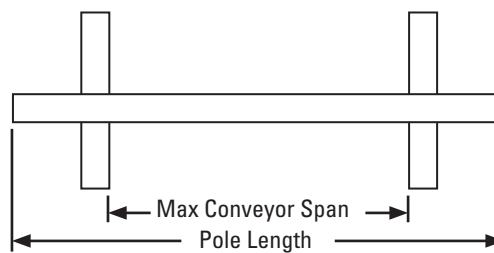


Horizontal Clearance Required

89 mm (3-1/2")

Vertical Clearance Required

254 mm (10")



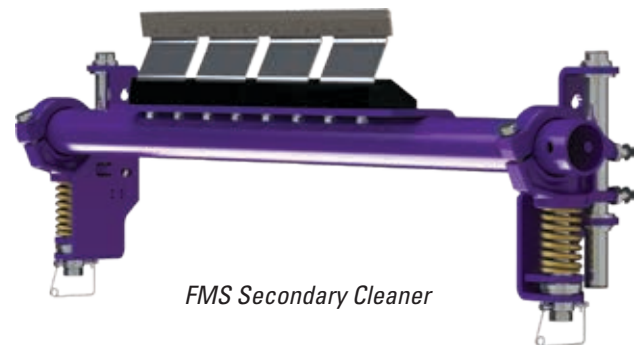
Pole Length

Belt width + 1350 mm (54")

Maximum Conveyor Span

Belt width + 1100 mm (44")

Blades Required per Cleaner Size									
mm	450	600	750	900	1050	1200	1350	1500	1800
in.	18	24	30	36	42	48	54	60	72
Blades Required	3	4	5	6	7	8	9	10	12



FMS Secondary Cleaner

Flexco (Aust.) Pty. Ltd • 10 Solent Circuit, Norwest • NSW, Australia, 2153 • Australia
 Tel: 612-8818-2000 • Fax: 612-8824-6333 • E-mail: salesau@flexco.com

Visit www.flexco.com for other Flexco locations and products.

©2019 Flexible Steel Lacing Company. 08/14/19. For reorder: X5285

