



ALLIGATOR® STAPLE GOLD CLASS™ PLUS

Now offered in a 48" width!

**Enhanced safety, simplicity,
and efficiency – all while
slashing installation time
by up to 35% and enhancing
splice consistency**

Safer.

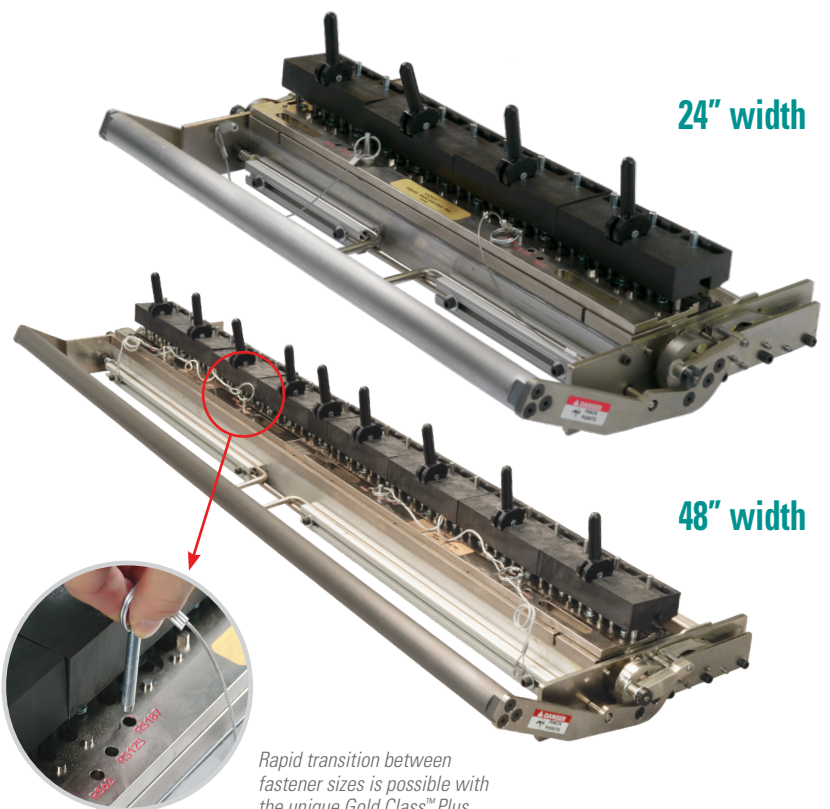
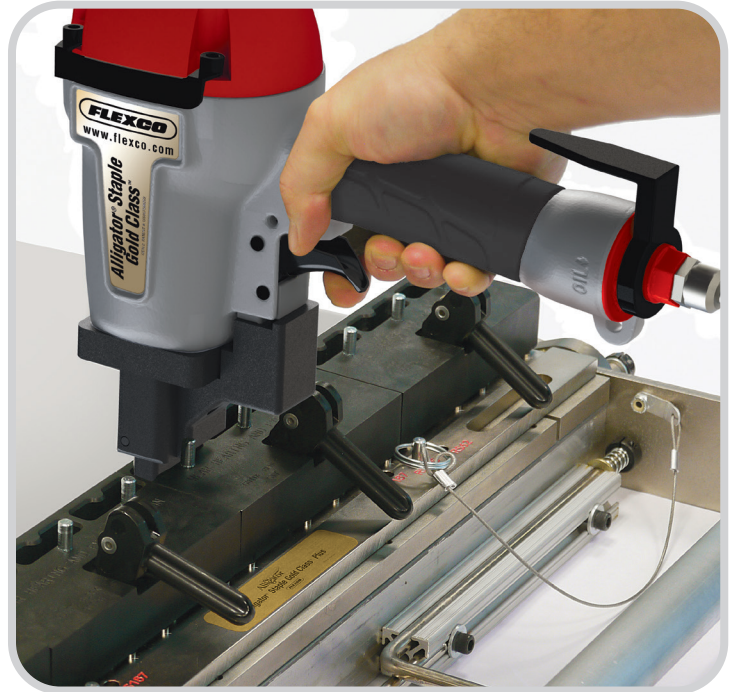
By eliminating the need to use a hammer to install the fasteners, the Alligator Staple Gold Class system reduces the risk of repetitive motion injuries. It also reduces operator fatigue associated with hammer installing numerous splices throughout the day.

Easier.

The Gold Class Plus tool combines both the initial and final set function in a single base. This process is not only fast and easy, but it is also virtually error proof. The patented drive punch has been designed to seat the front edge of the fastener plate down for proper compression, while also keeping the fastener loops protected. This ensures smooth hinge pin insertion.

Faster.

The Gold Class™ power driver, in conjunction with the Gold Class Plus tool allows users to install Alligator® Ready Set™ staple plates with quick and effortless trigger pulls. The design of the Gold Class Plus tool allows users to switch between plate sizes in mere seconds.



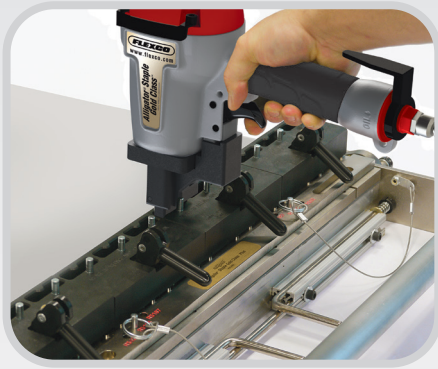
Rapid transition between fastener sizes is possible with the unique Gold Class™ Plus comb design.

Patents: www.flexco.com/patents

www.flexco.com

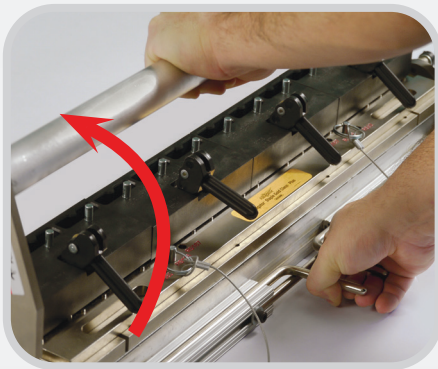
FLEXCO

3 Simple Steps:



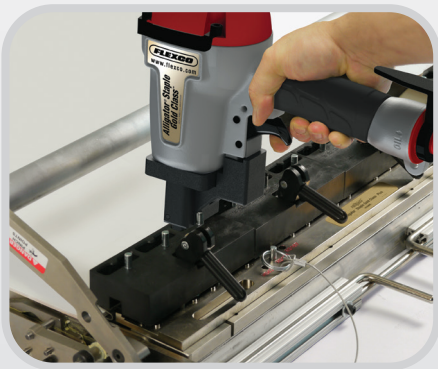
Initial Set:

Fasteners and belt are inserted into the base where the staples are driven through the belt with simple trigger pulls.



Simple Adjustment:

After the fasteners are initially set, simply flip the handle.



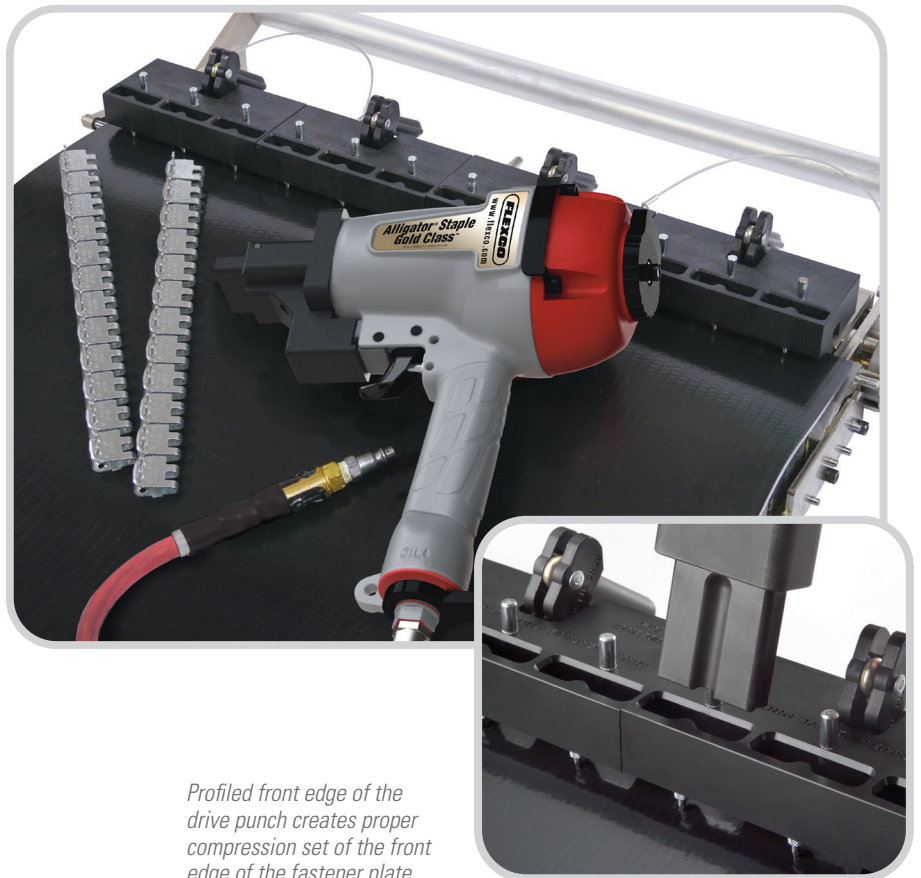
Final Set:

With additional trigger pulls, the staples receive their final set and the compression fit is obtained.

ALLIGATOR® STAPLE GOLD CLASS™ PLUS

Ordering Information

Description	Ordering Number	Item Code
Alligator® Staple Gold Class™ Plus Installation Tool		
610mm (24") Alligator Gold Class Plus Installation Tool	RS-GOLD-DA-24	55590
1219mm (48") Alligator Gold Class Plus Installation Tool	RS-GOLD-DA-48	112899
Replacement Parts		
Guide Block	ST7-5	55554
Anvil Replacement Kit	ST8-ANV	55591
Cam Lever	ST8-CAM	55592
Alligator® Staple Gold Class™ Power Driver		
Power Driver	RS-GOLD-DRIVER	55541



Profiled front edge of the drive punch creates proper compression set of the front edge of the fastener plate.

Visit www.flexco.com for other Flexco locations and products, or to find an authorised distributor.