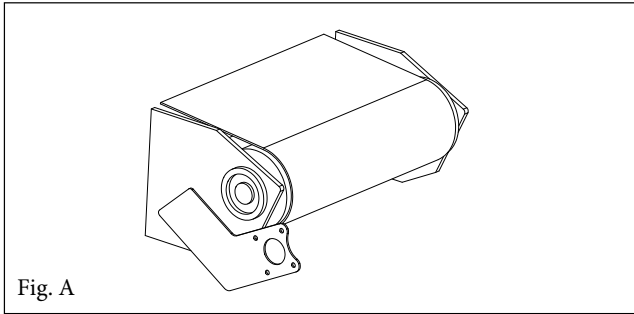


FGP Frame Mount (56585)

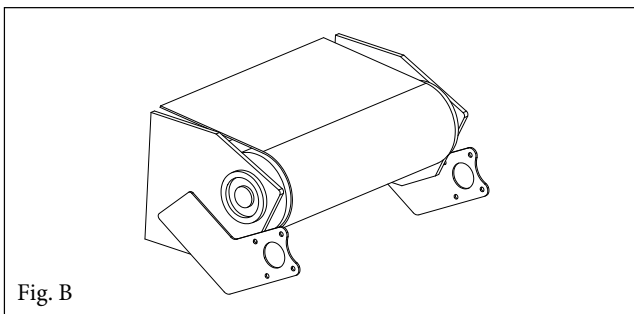
Instructions

1. Reference FGP Food Grade Precleaner IOM (X3646) for full installation details. This sheet is only to guide the installation of the optional mounting bracket.

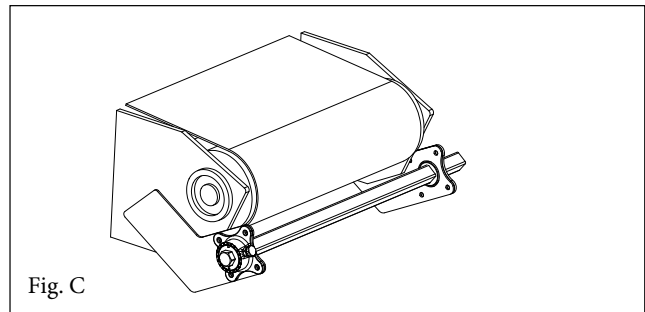


2. Position first bracket so FGP Pole center is at correct XYZ position (Fig. A).

3. Trim bracket as necessary, then temporarily clamp or tack-weld bracket in place. This will allow for future adjustments.

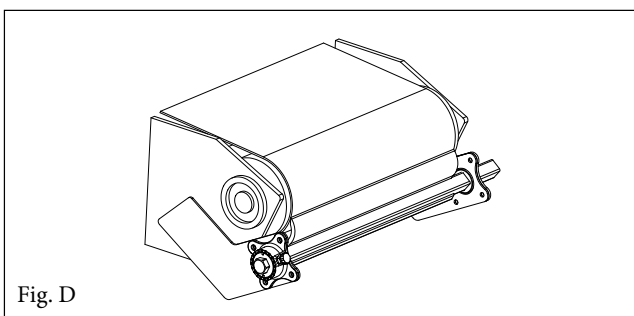


4. Temporarily mount 2nd bracket onto the opposite side of conveyor (Fig. B).



5. Test fit cleaner without blade. Pole should be parallel to the pulley (Fig. C).

6. If pole is in correct position, then finish weld (or bolt-mount) brackets to conveyor.



7. Install cleaner and tension blade appropriately (Fig. D).



2525 Wisconsin Avenue • Downers Grove, IL 60515-4200 U.S.A.
Telephone: 1-630-971-0150 • Fax: 1-630-971-1180 • E-mail: info@flexco.com

Visit www.flexco.com for other Flexco locations and products.

©2018 Flexible Steel Lacing Company. 02-28-18. For Reorder: X5015

