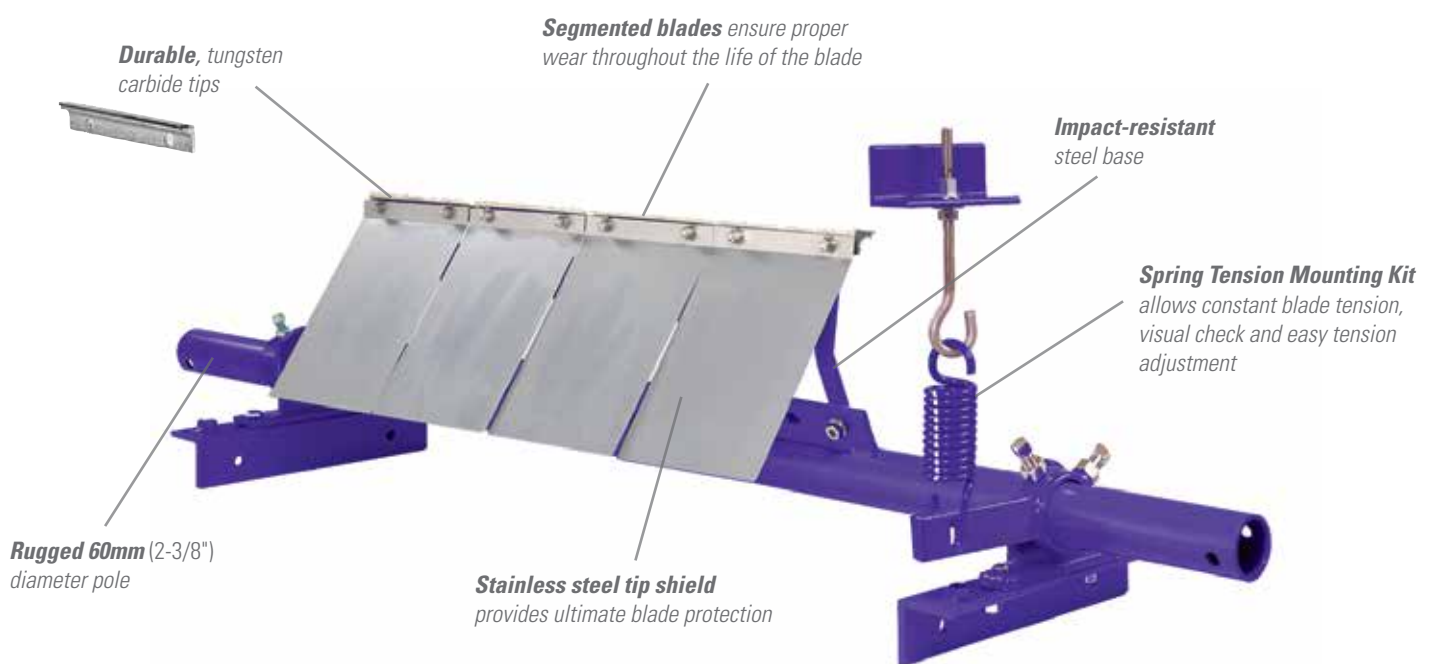


H-Type® High-Temp Precleaner with V-Tips

Vulcanized Clinker Belts, High Temp Precleaner

The Flexco H-Type® Precleaner with High Temperature V-Tips is designed to be positioned on the head pulley and to remove the bulk of the carryback from the belt. It has the ability to withstand ambient temperatures up to 204° C and spikes up to 232° C. Proven performance over 20 years as the most efficient primary cleaner for vulcanized belts carrying abrasive clinker in high heat cement applications.



Features and Benefits

- **Works with vulcanized belts.** The tungsten carbide tips allow for maximum cleaning efficiency and superior wear characteristics. Comes with protected tips for abrasive applications.
- **Complete cleaning system.** When teamed with a secondary cleaner, it makes up a system that delivers maximum cleaning power for the most abusive conveyor applications.
- **Made for mining conveyors.** Made from heavy-duty steel with corrosion-resistant powder coating, the H-Type® is available in sizes for belt widths from 450 to 1200mm. Additional sizes are available upon request.
- **Optimal positioning.** Blade contact on the pulley is 15° below the horizontal centerline. This keeps the blades out of the discharge path and protects them from rocks, large lumps and other debris.

H-TYPE[®] High-Temp Precleaner with V-Tips

Specifications and Guidelines

Maximum Belt Speed

5 M/sec

Temperature Rating

-35° C to 204° C
spikes up to 232° C

Minimum Pulley Diameter

200 mm

Usable Blade Wear Length

9 mm

Blade Material

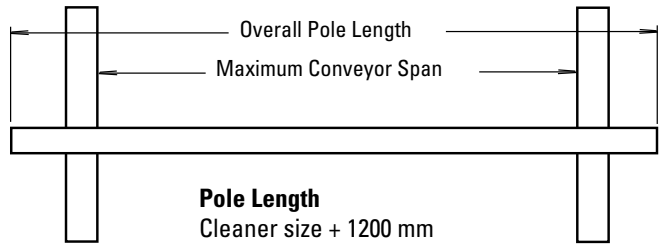
Tungsten carbide (for vulcanized belts only)

Available for Belt Widths

450 to 1200 mm

CEMA Cleaner Rating

Class 3

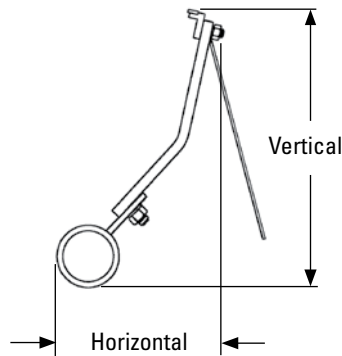


Pole Length

Cleaner size + 1200 mm

Maximum Conveyor Span

Cleaner size + 950 mm



Horizontal Clearance Required

175 mm

Vertical Clearance Required

SS: 325 mm

S: 375 mm

M: 413 mm

Ordering Information

High Temp Precleaner with V-Tips

Belt Width mm	Suspension Arm Size	Ordering Number	Item Code
450	SS	HTV18SS	74821
450	S	HTV18S	74828
600	SS	HTV24SS	74822
600	S	HTV24S	74829
750	SS	HTV30SS	74823
750	S	HTV30S	74830
900	SS	HTV36SS	74824
900	S	HTV36S	74831
900	M	HTV36M	74838
1050	SS	HTV42SS	74825
1050	S	HTV42S	74832
1050	M	HTV42M	74839
1200	SS	HTV48SS	74826
1200	S	HTV48S	74833
1200	M	HTV48M	74840

Suspension arm size is determined by head pulley diameter- see chart.

Pole Diameter - 60mm

Lead time: 1 working day

Suspension Arm Size

Head Pulley Diameter + Belt & Lagging mm	Suspension Arm Size
200 - 375	SS
400 - 675	S
700 - 875	M

Replacement V-Tips

Ordering Number	Item Code
HVT8	73042

Lead time: 1 working day

Replacement Suspension Arms

Suspension Arm Size	Ordering Number	Item Code
SS	HSA8SS	73047
S	HSA8S	73048
M	HSA8M	73049

Lead time: 1 working day

Authorised Distributor: