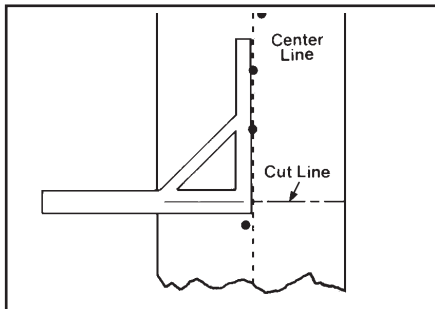


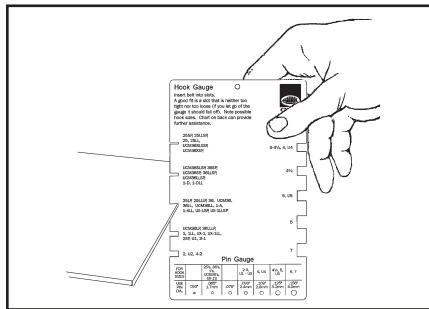
Installing Clipper® Fasteners with the Roller Lacer® Gold Class™



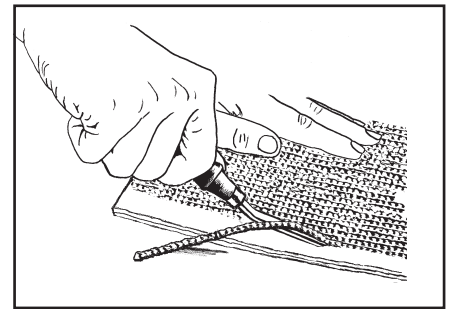
Belt Preparation:



1. Square belt end off centerline.

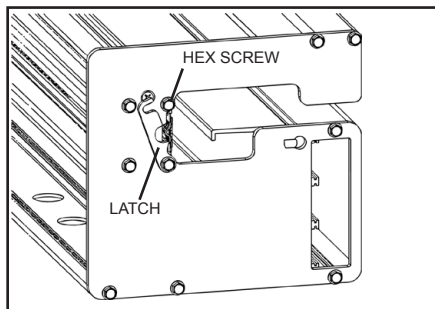


2. Select the proper size hook for your application.

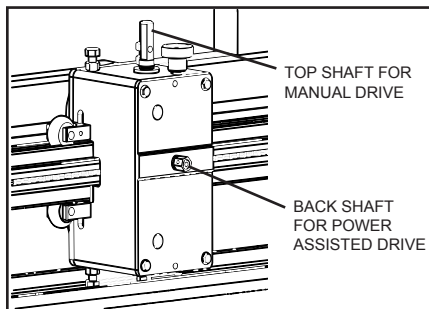


3. If belt has an impression cover, skive back 1" (25mm) from the belt end.

Prepare Lacer for Use: 1. Face Strip Installation



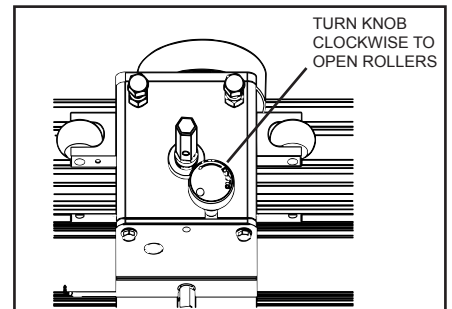
1. Loosen hex screw to allow Face Strip Retaining Latch to rotate out of the way. Insert Face Strip, reposition Latch and tighten screw.



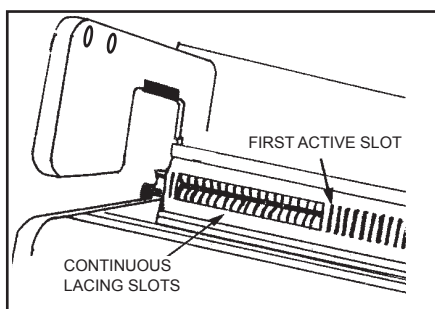
2. The lacer head can be either manually driven or power assisted with a cordless drill (at least 18V power).

A. If manually driving head, use handle or 1/2" (13mm) socket and ratchet on top shaft to index head to either end of tool.

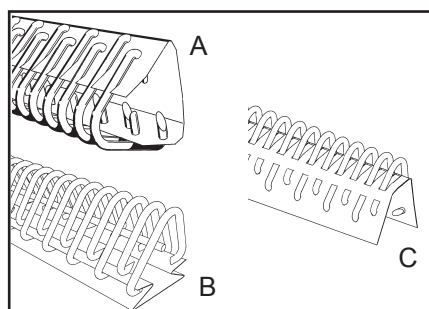
B. If using a cordless drill, insert the included 7/16" (11mm) nutdriver bit into the cordless drill and place the nutdriver/drill onto the back shaft. Set clutch to provide minimal amount of torque necessary to embed fasteners. Index head to either end of tool.



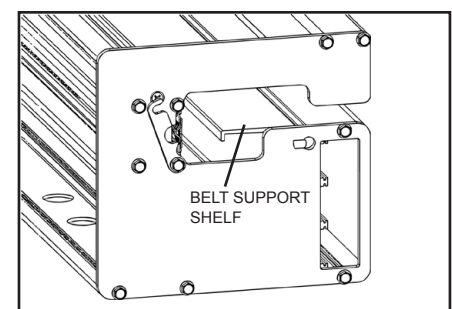
3. Turn knob clockwise to open rollers.



4. Insert hooks into the first active slot of the face strip. Secure with lacer pin.

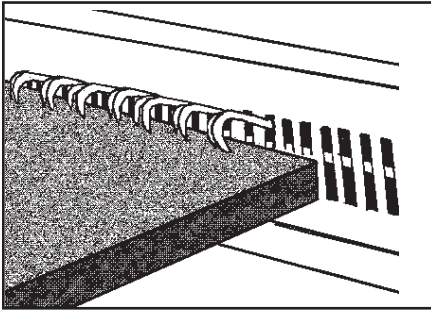


5. If using hooks as shown in A or B, remove carding paper at this time. If using hooks as shown in C, remove carding paper after installing hooks.

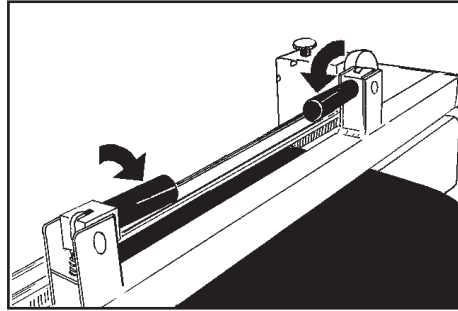


6. Lift Belt Support Shelf up and pull into locked position.

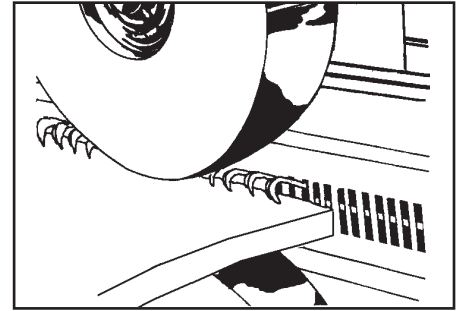
Lacer Operation:



1. Guiding belt through clamp and over belt support shelf, insert belt end into hook points and flush against the entire width of the face strip.

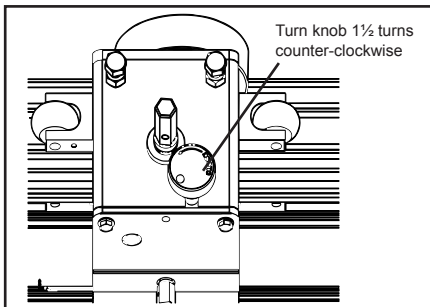


2. Lock belt clamp.



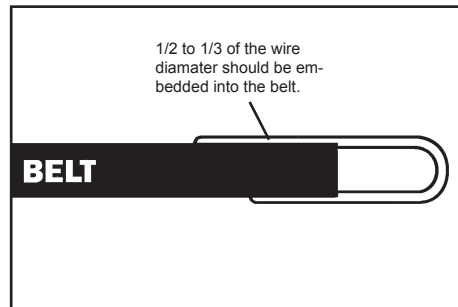
3. Position rollers over hooks.

4. Turn adjusting knob counter-clockwise until rollers touch hooks.



5. Return lacer head to end of lacer and turn adjusting knob 1 1/2 additional turns counter-clockwise.

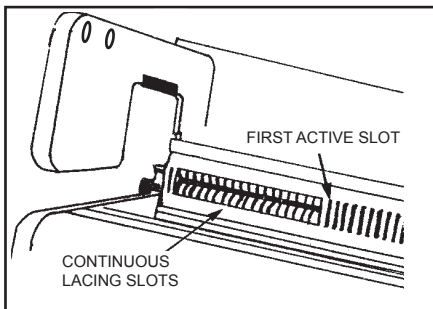
6. Using cordless drill or manual override, drive lacer head across the belt width at a low to medium speed.



7. Turn adjusting knob counter-clockwise 1/2 turn and return head across the belt. Repeat until hooks are embedded with 1/3 to 1/2 the wire diameter into the belt.

8. Remove lacer pin. Release belt clamp. Remove belt from lacer.
NOTE: The belt will need to be 'continuous laced' if it is wider than the lacer.

Continuous Lacing Procedures:



1. Starting on one side of the belt, lace the first section using the 'Lacer Operation' instructions listed above.
2. Open rollers.
3. Insert hooks into face strip, starting with the first active slot.
4. Insert lacer pin. Remove carding paper from hooks, if applicable.
5. Guiding belt through the belt clamp and over the belt shelf, position laced hooks into the continuous lacing slots, directly next to the first active slot. Keep belt flush against the face strip. Clamp belt.
6. Lace this section using Steps 3-8 of the 'Lacer Operation' instructions.

Helpful Tip: When continuous lacing it is recommended to lace the shorter length of belt first and then continue with the longer section of belt. Example: when using a 24" Roller Lacer to lace a 36" wide belt, lace the 12" section of belt first and then follow the process to continuous lace the remaining 24" of belt.

Maintenance:

- Wipe debris off chain-body extrusion periodically with a dry cloth to prolong the UHMW roller life.
- If head begins to rock back and forth on the extrusion after extended use, finger tighten adjusting screws located on top and bottom of head.

240 Macpherson Road • #02-01 • Singapore 348574
Tel: +65-6484-1533 • Fax: +65-6484-1531 • E-mail: asiasales@flexco.com

Visit www.flexco.com for other Flexco locations and products.

©2021 Flexible Steel Lacing Company. Clipper and Roller Lacer® are registered trademarks.
11/16/21. For Reorder: X4821

