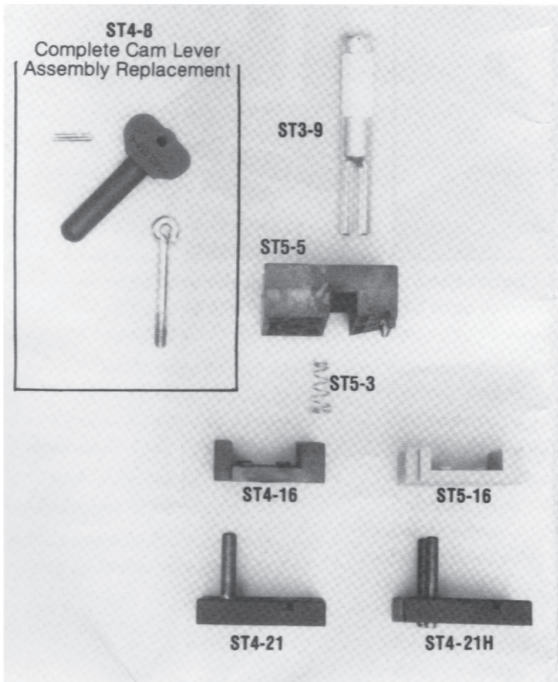




C187 APPLICATION TOOL PARTS



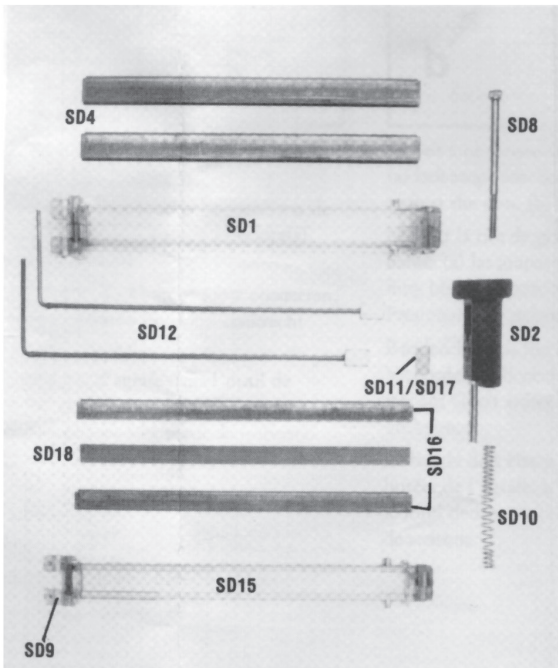
ORDER NUMBER	ITEM CODE	DESCRIPTION	Applicable with following stage tools		
			2"	4"	6"
ST4-21	50238	Anvil with Dowel Pins	•		
ST5-3	50015	Cam Lever Spring	•	•	•
ST5-5	50016	Ready Set Guide Block with Cam Lever Spring	•	•	•
ST4-8	50243	Complete Cam Lever Assembly Replacement	•	•	
ST3-9	50200	Staple Driver	•	•	•
ST3-13	50226	Mounting Bolt	•	•	•
ST4-16	50248	Comb 125/187	•	•	•
ST5-16	54010	Comb 125/62	•	•	•

SPECIAL PARTS FOR MULTIPLE STATION (6" and wider) TOOLS

ST4-8H	50244	Cam Lever Assembly Long			•
ST3-14	50227	Cam Locating Pin			•
ST3-15-6	50231	Clamp Bar (1 required for each 6" of tool length)			•
ST4-21H	50239	Anvil with Dowel Pins		•	•



C-150 STAPLE DISPENSER PARTS



C150		DESCRIPTION	C155	
ORDER NUMBER	ITEM CODE		ORDER NUMBER	ITEM CODE
SD1	50150	Body Assembly	SD15	50155
SD2	50152	Punch Handle	SD2Y	50153
SD4	50154	Staple Track	SD16	50156
SD8	50158	Bolt	SD8	50158
SD9	50159	Screw (Reg.)	SD9	50159
SD10	50160	Spring	SD10	50160
SD11	50161	Staple Stop Plate	SD17	50157
SD12	50162	Staple Push Rod Assembly (2 Req.)	SD12	50162
		Shim	SD18	50163

HOW TO ORDER . . .

Alligator No. C187 Applicator parts and No. C-150 dispenser parts, should be ordered by stating item and ordering number, i.e., Alligator applicator ST4-21 anvil base.

Order through your nearest authorized distributor.

Visit www.flexco.com for other Flexco locations and products, or to find an authorized distributor.

