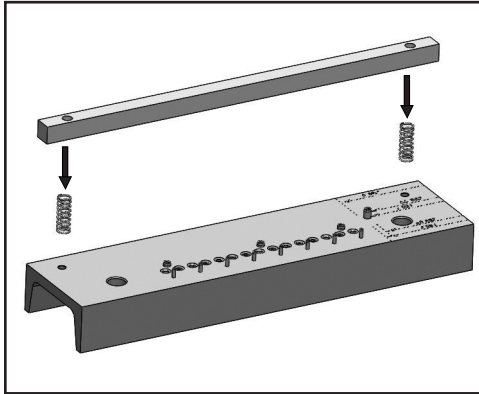
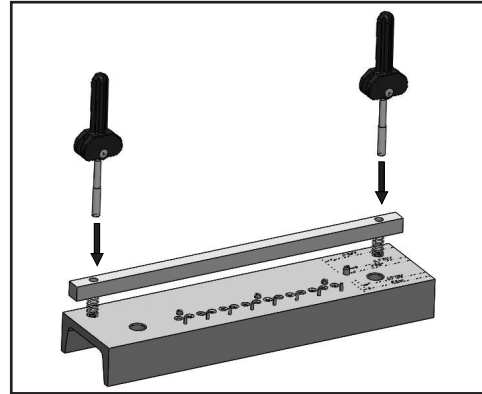


Alligator[®] Rivet Installation Tool

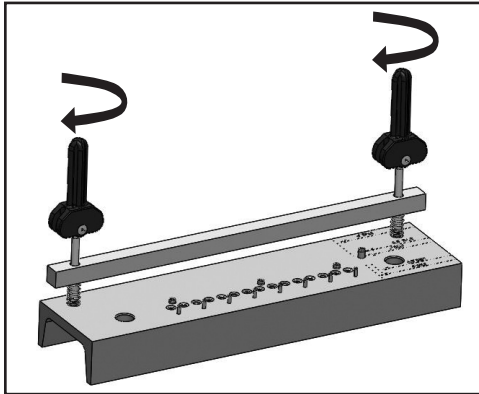
ART-7 Assembly Instructions



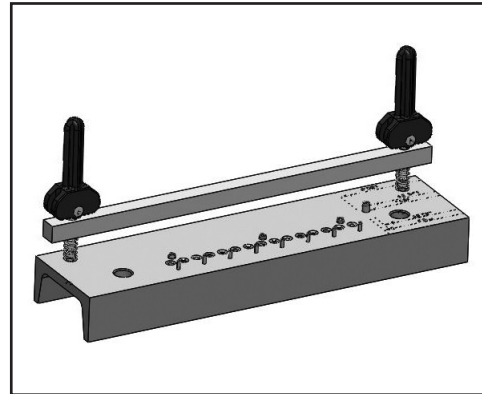
1. Place clamp bar and springs over tapped holes on base.



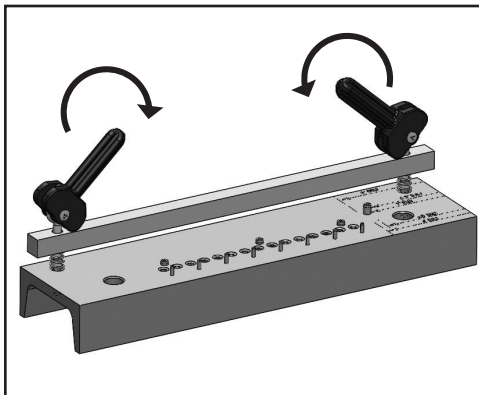
2. Align cam levers with threaded holes.



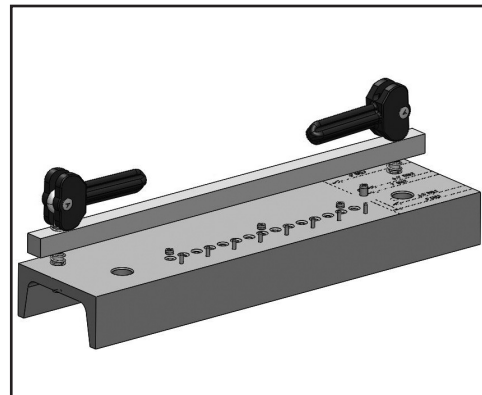
3. Screw cam levers into base.



4. Completed assembly.



5. Set cam levers to engage clamp bar.



6. Finished.

Visit www.flexco.com for other Flexco locations and products, or to find an authorized distributor.

