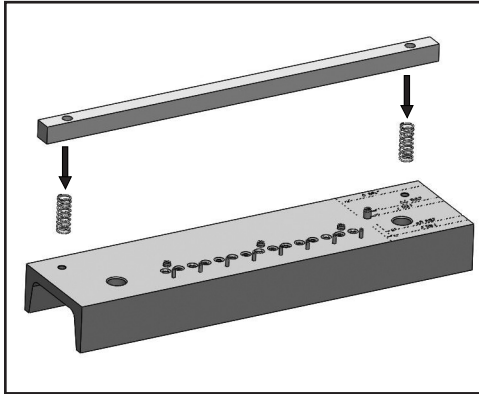
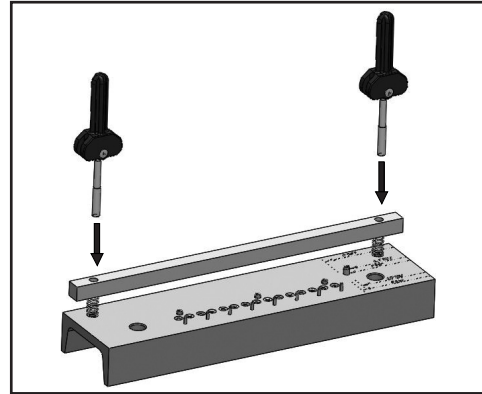


# Alligator<sup>®</sup> Rivet Installation Tool

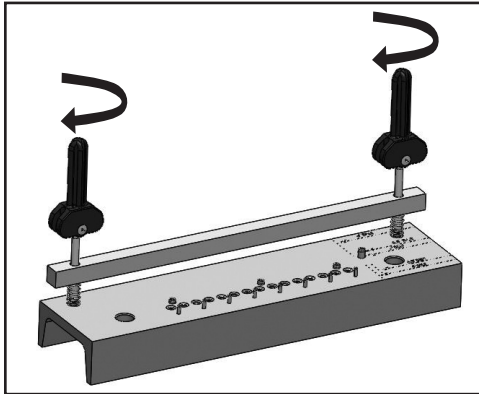
## ART-7 Assembly Instructions



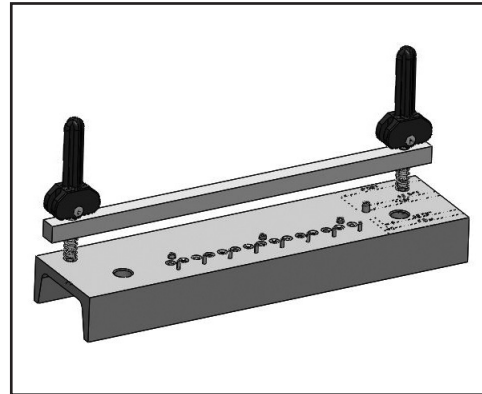
1. Place clamp bar and springs over tapped holes on base.



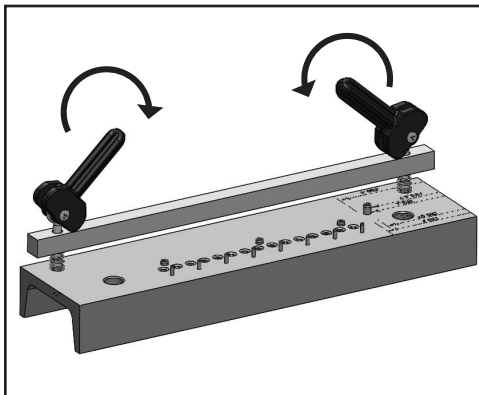
2. Align cam levers with threaded holes.



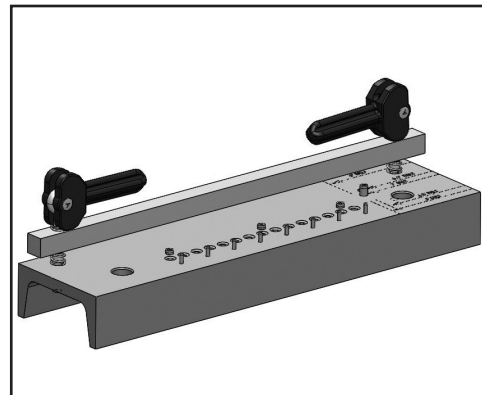
3. Screw cam levers into base.



4. Completed assembly.



5. Set cam levers to engage clamp bar.



6. Finished.



2525 Wisconsin Avenue • Downers Grove, IL 60515-4200 U.S.A.  
 Tel: 1-630-971-0150 • Fax: 1-630-971-1180 • E-mail: info@flexco.com

Visit [www.flexco.com](http://www.flexco.com) for other Flexco locations and products.

©2017 Flexible Steel Lacing Company. Alligator<sup>®</sup> is a registered trademark. 06-12-17. For Reorder: X4656

