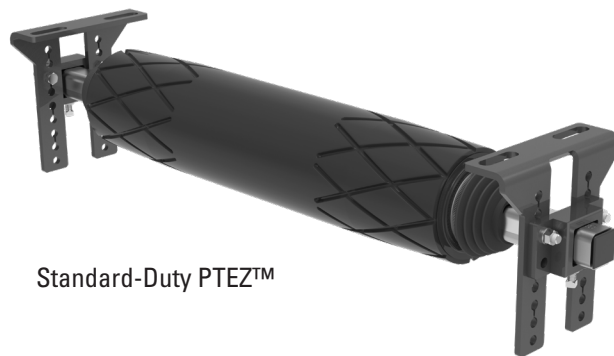
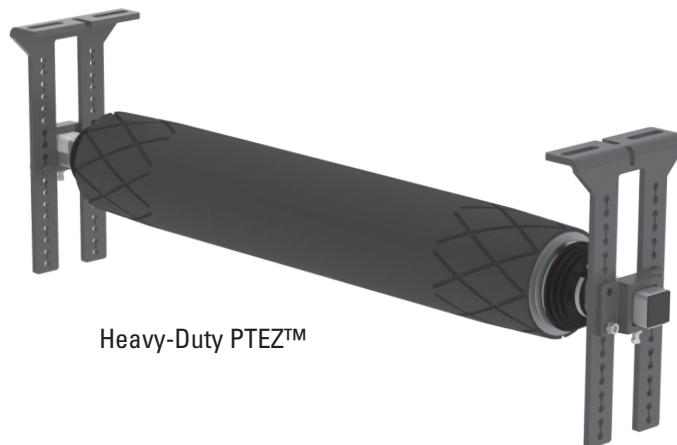


PTEZ™ Belt Trainer

Installation, Operation and Maintenance Manual



Standard-Duty PTEZ™



Heavy-Duty PTEZ™

Serial Number: _____
Purchase Date: _____
Purchased From: _____
Installation Date: _____

Serial number information can be found on the Serial Number Label on the product.

This information will be helpful for any future inquiries or questions about belt cleaner replacement parts, specifications or troubleshooting.

Table of Contents

Section 1 - Important Information	4
1.1 General Introduction.....	4
1.2 User Benefits	4
1.3 Proper Belt Trainer Selection.....	5
Section 2 - Safety Considerations and Precautions	6
2.1 Stationary Conveyors.....	6
2.2 Operating Conveyors.....	6
Section 3 - Pre-Installation Checks and Options.....	7
3.1 Checklist.....	7
3.2 Optional Installation Accessories.....	8
Section 4 - Installation Instructions.....	9
4.1 PTEZ™	9
4.2 HD PTEZ™	12
4.3 HD PTEZ™ Underground	15
Section 5 - Pre-Operation Checklist and Testing.....	16
5.1 Pre-Op Checklist.....	16
5.2 Test Run the Conveyor	16
Section 6 - Maintenance.....	17
6.1 New Installation Inspection	17
6.2 Routine Visual Inspection.....	17
6.3 Routine Physical Inspection	17
6.4 Roller Replacement Instructions.....	18
6.5 Maintenance Log.....	19
6.6 Maintenance Checklist	20
Section 7 - Troubleshooting	21
Section 8 - Specs and CAD Drawings.....	22
8.1 CAD Drawing – PTEZ™	22
8.2 CAD Drawing – HD PTEZ™	23
8.3 CAD Drawing – HD PTEZ™ Underground.....	24
Section 9 - Replacement Parts	25
9.1 Replacement Parts List – PTEZ™	25
9.2 Replacement Parts List – HD PTEZ™	26
Section 10 - Other Flexco Conveyor Products	27

Section 1 - Important Information

1.1 General Introduction

We at Flexco are very pleased that you have selected a PTEZ™ Belt Trainer for your conveyor system.

This manual will help you to understand the installation, operation and maintenance of this product and assist you in making it work up to its maximum efficiency over its lifetime of service.

It is essential for safe and efficient operation that the information and guidelines presented be properly understood and implemented. This manual will provide safety precautions, installation instructions, maintenance procedures and troubleshooting tips. In addition, please follow all standard, approved safety guidelines when working on your conveyor.

If, however, you have any questions or problems that are not covered, please visit our web site or contact our Customer Service Department.

Visit www.flexco.com for other Flexco locations and products.

Please read this manual thoroughly and pass it on to any others who will be directly responsible for installation, operation and maintenance of this belt trainer. While we have tried to make the installation and service tasks as easy and simple as possible, **this product does however require correct installation and regular inspection and maintenance to maintain top working condition.**

1.2 User Benefits

Belt mistracking is a common problem that produces various problems, ranging from belt and structure damage to product spillage and safety issues. By utilizing the PTEZ™, it is possible to correct a belt that is mistracking and causing these problems. Multiple units may be required depending on the length of the mistracking belt.

Section 1 - Important Information

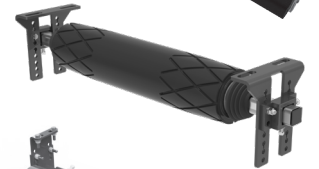
1.3 Proper Belt Trainer Selection

MODEL	APPLICATION RANGE
Belt Positioner™	Return side only, 140 n/mm (800 PIW) max tension on Small, Medium and Large; 210 n/mm (1200 PIW) max tension on Extra Large. Also works on reversing belts.
PTEZ™	Medium-duty belts up to 280 n/mm (1600 PIW) max tension. Also works on reversing belts.
HD PTEZ™	Medium-duty belts up to 420 n/mm (2400 PIW) max tension. Belt widths + 225 mm (9") idler. Belt thickness 25 mm (1") maximum. Also works on reversing belts.
PT Smart™	Medium-duty belts up to 280 n/mm (1600 PIW) max tension. Belt width + 75 mm (3") idler. Belt thickness 25 mm (1") maximum.
PT Smart™ Underground	Medium-duty belts up to 280 n/mm (1600 PIW) max tension. Belt width + 225 mm (9") idler. Belt thickness 25 mm (1") maximum. Fits underground structure.
PT Max™ Adjustable	Heavy-duty belts up to 525 n/mm (3000 PIW) max (generally over 19 mm (3/4") thick). Belt width 900–1500 mm (36–60").
HD PT Max™ Adjustable	Heavy-duty belts up to 1050 n/mm (6000 PIW) max tension. Belt width 1350–2100 mm (54–84").

Belt Positioner™



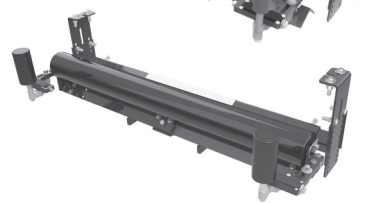
PTEZ™



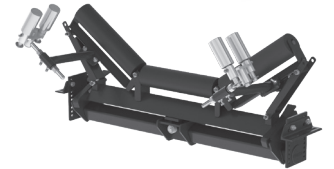
PT Smart™ Standard



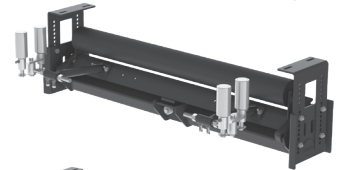
PT Smart™ Underground Structure



PT Max™ Adjustable Top Side



PT Max™ Adjustable Return Side



PT Max™ Adjustable V-Return



Conveyor Criteria	Belt Positioner™	PTEZ™	PT Smart™	PT Max™	PT Max™ Heavy Duty	PT Max™ Super Duty
Top side mistracking	No	No	No	Yes	Yes	Yes
Return side mistracking	Yes	Yes	Yes	Yes	Yes	Yes
Reversing belts	Yes	Yes	No	No	No	No
Belt mistracking to one side	Better	Better	Better	Better	Better	Better
Belt mistracking to both sides	Acceptable	Better	Best	Best	Best	Best
Inconsistent tracking problem	Good	Better	Best	Best	Best	Best
Belt is cupped (heavy)	Best ‡	Better ‡	Better	Better	Better	Better
Belt has edge damage	Best	Best	Good	Good	Good	Good
Ease of installation	Best	Better	Good	Good	Good	Good
Belt has low running tension	Good	Good	Good	Good	N/A	N/A
Belt has medium running tension	Better	Better	Better	Best	Best	Best
Belt has high running tension	N/A	N/A	N/A	Better	Best	Best
Approx. "upstream" effect*Δ	15 M (50')	6 M (20')	6 M (20')	15 M (50')	15 M (50')	15 M (50')
Approx. "downstream" effect*Δ	15 M (50')	30–36 M (100–120')	36–45 M (120–150')	45–61 M (150–200')	45–61 M (150–200')	45–61 M (150–200')

‡ Installed on the clean side of the return belt

* Typical results; actual results may vary

Δ Disc idlers have the potential to reduce these numbers

Section 2 - Safety Considerations and Precautions

Before installing and operating the PTEZ™ Belt Trainer, it is important to review and understand the following safety information.

There are setup, maintenance and operational activities involving both **stationary** and **operating** conveyors. Each case has a safety protocol.

2.1 Stationary Conveyors

The following activities are performed on stationary conveyors:

- Installation
- Idler replacement
- Cleaning
- Repairs

DANGER

It is imperative that OSHA/MSHA Lockout/Tagout (LOTO) regulations, 29 CFR 1910.147, be followed before undertaking the preceding activities. Failure to use LOTO exposes workers to uncontrolled behavior of the belt trainer caused by movement of the conveyor belt or belt trainer. Severe injury or death can result.

Before working:

- Lockout/Tagout the conveyor power source
- Clear the conveyor area where work is to take place

WARNING

Use Personal Protective Equipment (PPE):

- Safety eyewear
- Hardhats
- Safety footwear

Close quarters and heavy components create a worksite that compromises a worker's eyes, feet and skull. PPE must be worn to control the foreseeable hazards associated with conveyor belt components. Serious injuries can be avoided.

2.2 Operating Conveyors

There are two routine tasks that must be performed while the conveyor is running:

- Inspection of belt trainer performance
- Dynamic troubleshooting

DANGER

Every belt conveyor is an in-running nip hazard. Never touch or prod an operating belt trainer. Conveyor hazards cause instantaneous amputation and entrapment.

WARNING

Conveyors contain moving hazards. Stay as far from the trainer as practical and use safety eyewear and headgear.

WARNING

Never adjust anything on an operating belt trainer. Flailing hardware can cause serious injury or death.

Section 3 - Pre-installation Checks and Options

3.1 Checklist

- Check the model and size of the belt trainer. Is it the right one for your beltline?
- Check the PTEZ™ to be sure all the parts are included in the shipment.
 - Trainer
 - Mounting hardware
 - Instruction kit
- Find the information packet in the shipment.
- Review the “Tools Needed” section on the front of the installation instructions.
- Prepare the conveyor site:
 - Identify the point(s) of mistracking, expecting 30–37 M (100–120') of downstream influence.
 - Position the unit 6.1 M (20') after the start of the mistracking.
 - Identify an opening of at least 225 mm (9") for Standard Duty, 265 mm (10.5") for Heavy Duty if possible to avoid interference with roller during installation.
 - Remove old tracking devices.
 - If the conveyor has disc idlers, replace one idler before and one idler after the location where the trainer will be installed with a standard idler.
 - If the conveyor has V-return idlers, replace one idler before and after where the trainer will be located with a standard flat idler.

Section 3 - Pre-Installation Checks and Options

3.2 Optional Installation Accessories

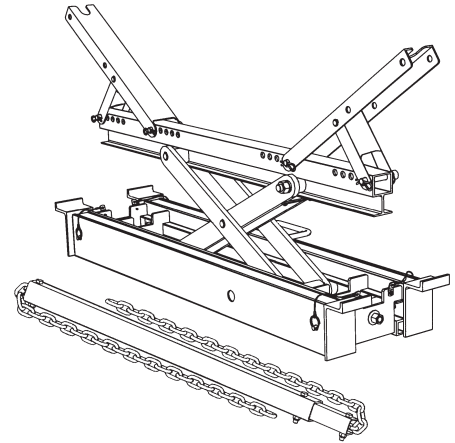
Optional tools can make the installation of the PTEZ™ Belt Trainer easier and faster.

Flex-Lifter™ Conveyor Belt Lifter

DESCRIPTION	ORDERING NUMBER	ITEM CODE
Medium Flex-Lifter 900–1500 mm (36–60")	FL-M	76469
Large Flex-Lifter 1200–1800 mm (48–72")	FL-L	76470
XL Flex-Lifter 1800–2400 mm (72–96")	FL-XL	76983

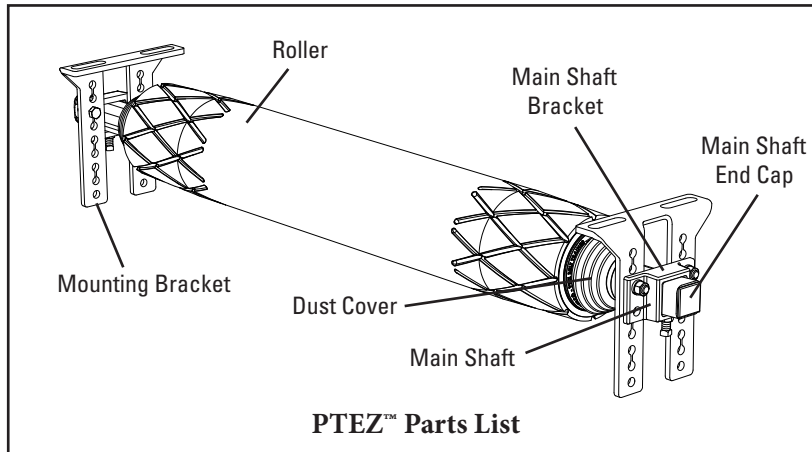
Flex-Lifter™ Conveyor Belt Lifter

The Flexco Flex-Lifter makes the job of lifting the conveyor belt easy and safe. Using two Flex-Lifters, the belt can be quickly lifted out of the way to install the PTEZ™. The Flex-Lifter has the highest safe lift rating available at 1810 kg (4000 lbs). And it's versatile. It can also be used to lift topside or return side belt for splicing, roller replacement or other maintenance jobs. Available in three sizes: Medium for belt widths 900–1500 mm (36–60"), Large for belt widths 1200–1800 mm (48–72"), and XL for belt widths 1800–2400 mm (72–96").



Section 4 - Installation Instructions

4.1 PTEZ™



Physically lock out and tag the conveyor at the power source before you begin belt trainer installation.

CAUTION: Components may be heavy. Use safety-approved lifting procedures.

Tools Needed:

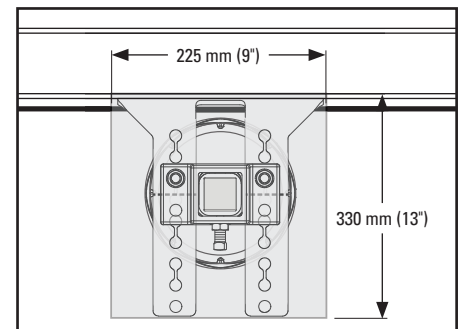
- Tape Measure
- (2) 19 mm (3/4") Wrenches
- Medium or Large Adjustable Wrench
- Cutting Torch/Welder
- (2) Come-Alongs (3/4 Ton Minimum)
- Any necessary equipment for moving and lifting heavy components
- Straightedge or Level
- Marking Pen

Before You Begin:

- A serial number label is applied to the PTEZ™ at the factory. It is located under the bellows/dust cover at one end of the main shaft for protection. Please use this number in any correspondence.
- Use the necessary mechanical lifting equipment (crane, come-alongs, etc.) for safe installation.
- The trainer should not be positioned closer than 6 M (20') from the tail pulley, take-up pulleys, or head pulley.
- Follow all safety precautions when using a cutting torch.

Conveyor Site Preparation:

- Identify the point(s) of mistracking, expecting 30–37 M (100–120') of downstream influence.
- Position the unit 6 M (20') after the start of the mistracking.
- Identify an opening of at least 225 mm (9").
- Remove any existing tracking devices that fall in the estimated tracking range of the PTEZ as multiple different tracking devices may reduce or prevent the PTEZ from tracking as intended.

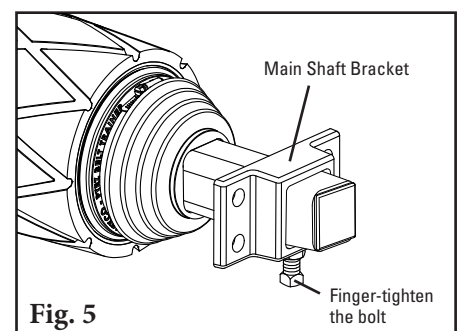
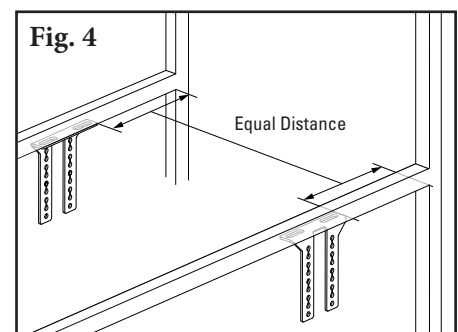
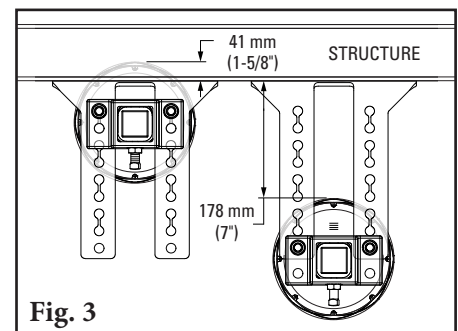
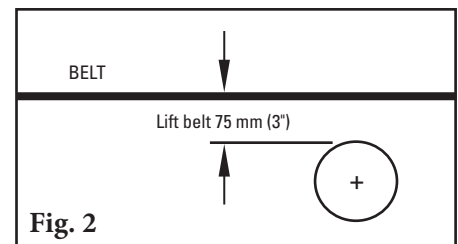
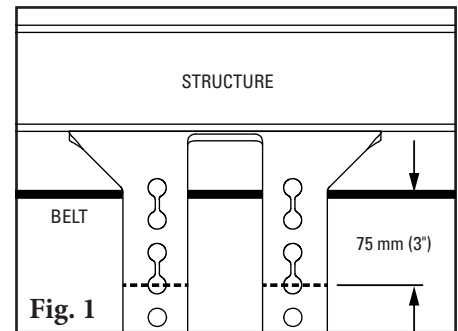


Section 4 - Installation Instructions

4.1 PTEZ™

PTEZ Preparation and Installation:

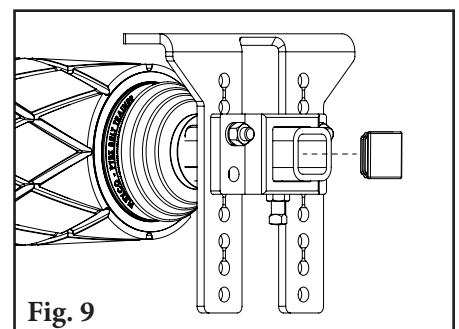
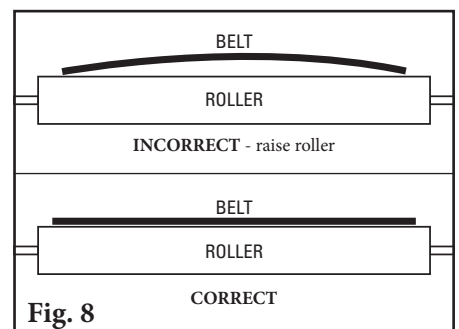
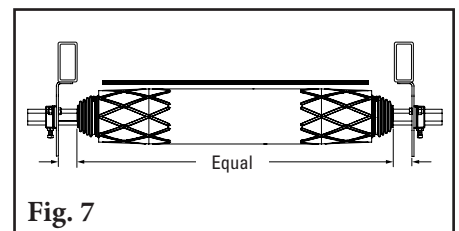
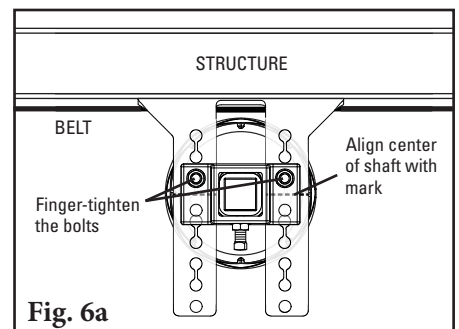
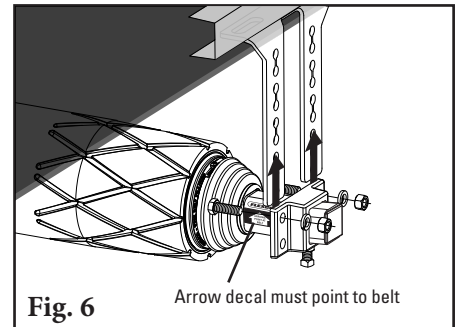
1. **Identify location for PTEZ™ and mount one bracket.**
 - a. **For push-up installation,** use a straightedge to push up against the belt to remove the slack and make a mark on the bracket for the bottom of the belt. From that mark, measure down 75 mm (3") and make a second mark (Fig. 1). The second mark is where the center of the pole should line up in Step 6.
 - b. **For push-down or clean-side installation,** use a straightedge to push down against the belt to remove the slack and make a mark on the bracket for the top of the belt. From that mark, measure up 75 mm (3") and make a second mark. The second mark is where the center of the pole should line up in Step 6.
 2. **Lift the belt** approximately 75 mm (3") where the trainer will be installed. Remove existing idler (if applicable) (Fig. 2).
- NOTE:** If the conveyor has disc idlers, replace one idler with a standard idler before and after the location where the trainer will be installed.
3. **Position mounting brackets.** May be mounted to existing idler hole patterns. Overall range of adjustment on brackets is 41 mm (1-5/8") above the top flange or 178 mm (7") below the top flange (Fig. 3).
 4. **Square the mounting brackets.** Measure from a fixed location on both sides to ensure alignment (Fig. 4).
 5. **Slide on the main shaft brackets.** Finger-tighten bolts for further adjustment later (Fig. 5).



Section 4 - Installation Instructions

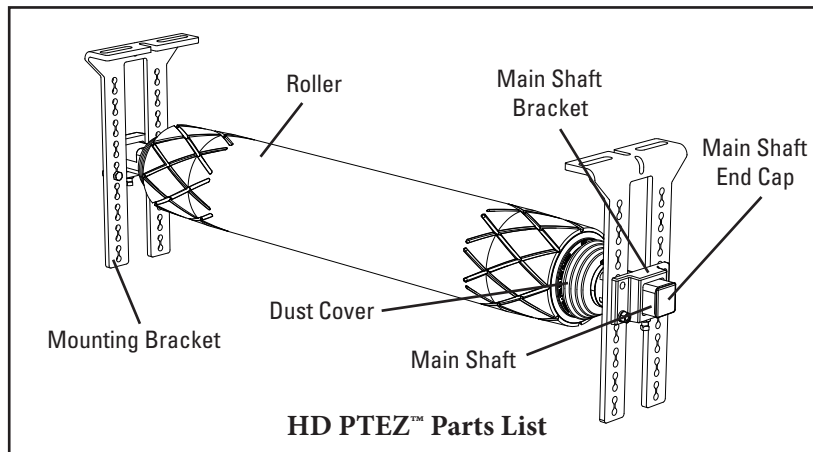
4.1 PTEZ™

6. **Lift the roller and main shaft bracket assembly.** Be sure to use safe and secure lifting procedures to lift the PTEZ™ into position. Ensure the arrows on main shaft label point up or down towards the belt (Fig. 6). Align center of shaft with mark on mounting bracket (from Step 1) and finger-tighten bolts between the mounting bracket and main shaft bracket (Fig. 6a).
7. **Ensure main shaft is centered on main shaft brackets** (equal length showing on both sides of roller) (Fig. 7).
8. **Lower the belt onto the roller.** Ensure that the belt makes complete contact with the roller. Raise the extending brackets one hole if there is not good contact (Fig. 8). The belt should be pushed up or down approximately 12–25 mm (1/2–1") from normal running height. If there is still a gap between the roller and belt, adjustments may be made in 12 mm (1/2") increments until the gap disappears.
NOTE: If gap persists, consider a push-down installation.
9. **Tighten all bolts,** if the end caps were removed during installation or to cut-down the main shaft, re-install them and proceed to the pre-op checklist on page 16 (Fig. 9).



Section 4 - Installation Instructions

4.2 HD PTEZ™



Physically lock out and tag the conveyor at the power source before you begin belt trainer installation.

CAUTION: Components may be heavy. Use safety-approved lifting procedures.

Tools Needed:

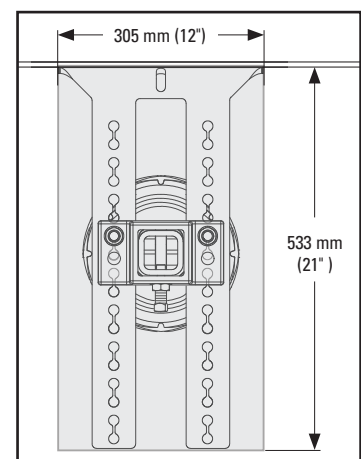
- Tape Measure
- (2) 19 mm (3/4") Wrenches
- Medium or Large Adjustable Wrench
- Cutting Torch/Welder
- (2) Come-Alongs (3/4 Ton Minimum)
- Any necessary equipment for moving and lifting heavy components
- Straightedge or Level
- Marking Pen

Before You Begin:

- A serial number label is applied to the HD PTEZ™ at the factory. It is located under the bellows/dust cover at one end of the main shaft for protection. Please use this number in any correspondence.
- Use the necessary mechanical lifting equipment (crane, come-alongs, etc.) for safe installation.
- The trainer should not be positioned closer than 6 M (20') from the tail pulley, take-up pulleys, or head pulley.
- Follow all safety precautions when using a cutting torch.

Conveyor Site Preparation:

- Identify the point(s) of mistracking, expecting 30–37 M (100–120') of downstream influence.
- Position the unit 6 M (20') after the start of the mistracking.
- Identify an opening of at least 305 mm (12").
- Remove any existing tracking devices that fall in the estimated tracking range of the HD PTEZ as multiple different tracking devices may reduce or prevent the HD PTEZ from tracking as intended.



Section 4 - Installation Instructions

4.2 HD PTEZ™

PTEZ™ Preparation and Installation:

For Underground J-bolt or wire rope mounting, see page 15.

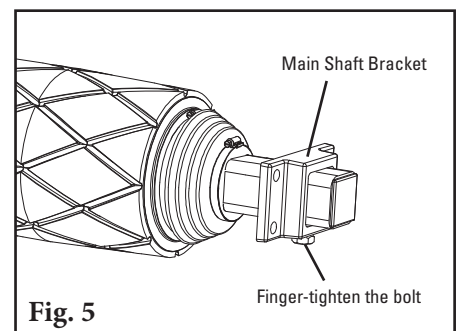
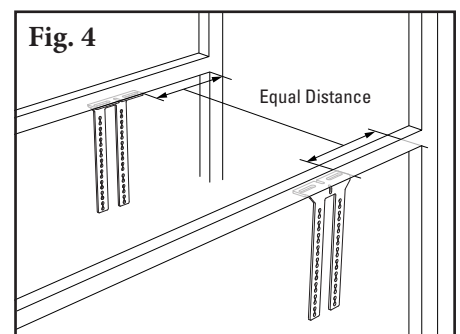
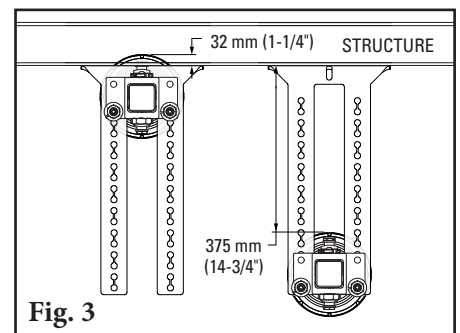
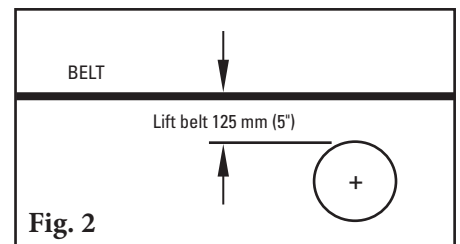
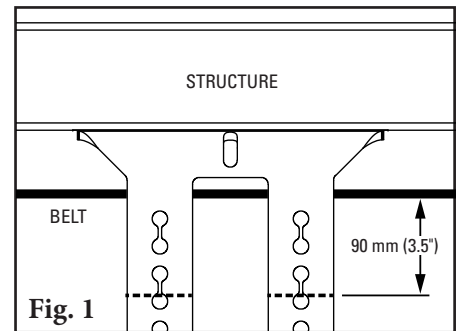
1. Identify location for HD PTEZ™ and mount one bracket.

- a. **For push-up installation**, use a straightedge to push up against the belt to remove the slack and make a mark on the bracket for the bottom of the belt. From that mark, measure down 90 mm (3.5") and make a second mark (Fig. 1). The second mark is where the center of the pole should line up in Step 6.
- b. **For push-down or clean-side installation**, use the weight of the roller to deflect the belt and remove cupping. Mount brackets to structure and check position of mounting holes. Push unit down 50 mm (1/2") more and bolt in place. Confirm no daylight.

2. Lift the belt approximately 125 mm (5") where the trainer will be installed. Remove existing idler (if applicable) (Fig. 2).

NOTE: If the conveyor has disc idlers, replace one idler with a standard idler before and after the location where the trainer will be installed.

- 3. **Position mounting brackets.** May be mounted to existing idler hole patterns. Overall range of adjustment on brackets is 32 mm (1-1/4") above the top flange or 375 mm (14-3/4") below the top flange (Fig. 3).
- 4. **Square the mounting brackets.** Measure from a fixed location on both sides to ensure alignment (Fig. 4).
- 5. **Slide on the main shaft brackets.** Finger-tighten bolts for further adjustment later (Fig. 5).

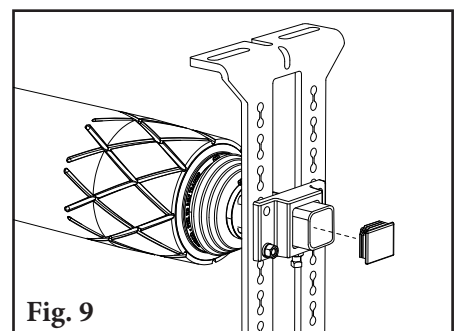
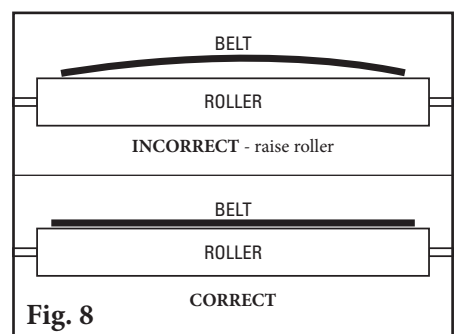
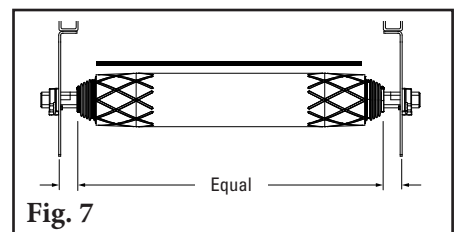
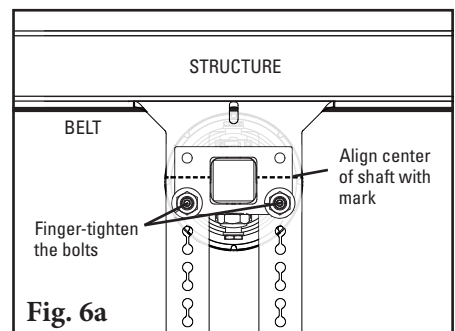
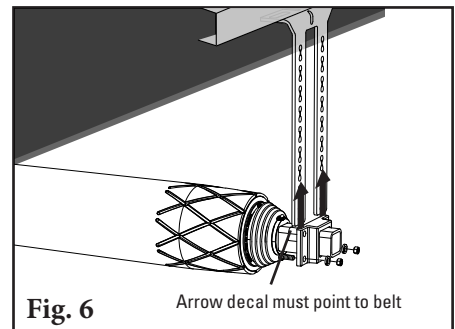


Section 4 - Installation Instructions

4.2 HD PTEZ™

6. **Lift the roller and main shaft bracket assembly.** Be sure to use safe and secure lifting procedures to lift the HD PTEZ into position. Ensure the arrows on main shaft label point up or down towards the belt (Fig. 6). Align center of shaft with mark on mounting bracket (from Step 1) and finger-tighten bolts between the mounting bracket and main shaft bracket (Fig. 6a).
7. **Ensure main shaft is centered on main shaft brackets** (equal length showing on both sides of roller) (Fig. 7).
8. **Lower the belt onto the roller.** Ensure that the belt makes complete contact with the roller. Raise the extending brackets one hole if there is not good contact (Fig. 8). The belt should be pushed up or down approximately 12–25 mm (1/2–1") from normal running height. If there is still a gap between the roller and belt, adjustments may be made in 12 mm (1/2") increments until the gap disappears.

NOTE: If a gap persists, consider a push-down installation.
9. **Tighten all bolts,** if the end caps were removed during installation or to cut-down the main shaft, re-install them and proceed to the pre-op checklist on page 16 (Fig. 9).



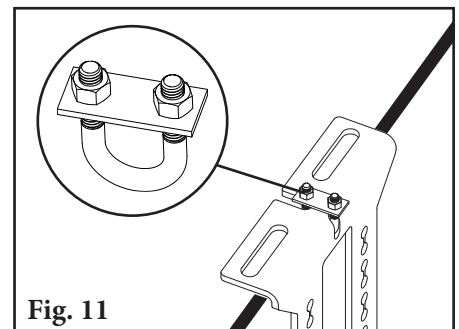
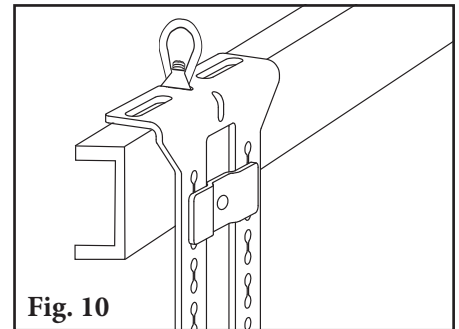
Section 4 - Installation Instructions

4.3 HD PTEZ™ Underground

Underground Mounting Instructions

Parts shown below included with PTEZH-D-UG items.

10. To attach mounting brackets to a 100 or 125 mm (4 or 5") channel structure, use included J-bolt plates as shown (customer supplied J-bolt) (Fig. 10).
11. To mount to wire rope structure, use included U-bolt kit and position as shown (Fig. 11).



Section 5 - Pre-Operation Checklist and Testing

5.1 Pre-Op Checklist

- Recheck that all fasteners are tight.
- Apply all supplied labels.
- Be sure that all installation materials and tools have been removed from the belt and conveyor area.
- Reconfirm the arrows on the main tube point up or down towards the belt.

5.2 Test Run the Conveyor

- Run the conveyor for at least 15 minutes and confirm the belt is tracking properly.
- If belt is still mistracking too far to one side, height adjustments may be made in 12 mm (1/2") increments until air gap disappears.

NOTE: Belt wrap around PTEZ should not exceed 10°.

NOTE: If conveyor has disc idlers, the belt may not get the full downstream tracking effect.

Section 6 - Maintenance

Flexco belt trainers are designed to operate with minimum maintenance. However, to maintain superior performance some service is required. When the trainer is installed a regular maintenance program should be set up. This program will ensure that the trainer operates at optimal efficiency, and problems can be identified and fixed before any damage is done to the belt, the trainer, other conveyor components, or structure.

All safety procedures for inspection of equipment (stationary or operating) must be observed. The PTEZ™ is in direct contact with the moving belt. Only visual observations can be made while the belt is running. Service tasks can be done only with the conveyor stopped and by observing the correct lockout/tagout procedures.

6.1 New Installation Inspection

After the PTEZ has run for 15 minutes a visual inspection should be made to ensure the trainer is performing properly. Make adjustments as needed.

6.2 Routine Visual Inspection (every 2-4 weeks)

A visual inspection of the PTEZ can determine:

- If the belt is tracking as required
- If the trainer is moving freely
- If the trainer is free of material and rolling properly
- If there is damage to the shaft or other components

If any of the above conditions exist, a determination should be made on when the conveyor can be stopped for trainer maintenance.

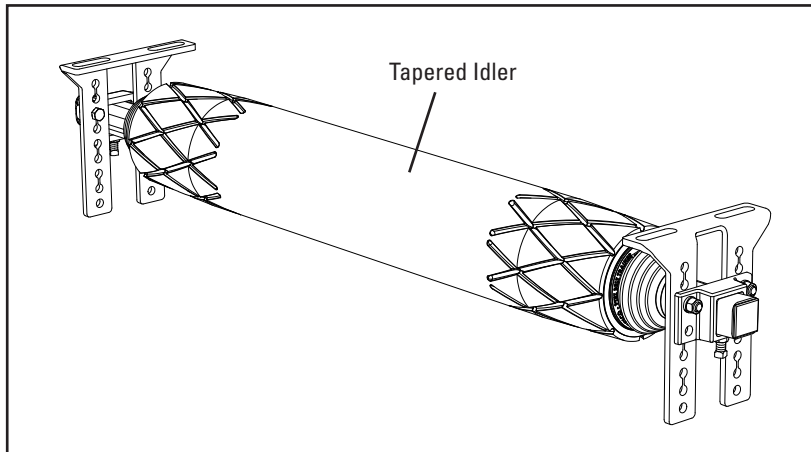
6.3 Routine Physical Inspection (every 6-8 weeks)

When the conveyor is not in operation and properly locked and tagged out, a physical inspection of the trainer to perform the following tasks:

- Clean material buildup off the trainer and components.
- Pivot unit to ensure full and easy movement.
- Closely inspect complete unit for damage.
- Inspect all fasteners for tightness and wear. Tighten or replace if needed.
- When maintenance tasks are completed, test run the conveyor to ensure the trainer is performing properly.

Section 6 - Maintenance

6.4 Roller Replacement Instructions



Physically lock out and tag the conveyor at the power source before you begin cleaner installation.

CAUTION: Components may be heavy. Use safety-approved lifting procedures.

1. **Remove tension from belt.** Use a Flex-Lifter or other appropriate lifting equipment to lift the belt approx. 75 mm (3") off the trainer.
2. **Mark the mounting bracket** above or below the main shaft bracket for reference when installing the new roller to ensure replacement roller is installed at the same height.
3. **Remove roller.**
4. **Install new roller.** Confirm roller turns smoothly.
5. **Lower the belt.** Ensure belt completely contacts roller. Tighten all bolts.

Section 6 - Maintenance

6.5 Maintenance Log

Conveyor Name/No. _____

Date: _____ Work done by: _____ Service Quote #: _____

Activity: _____

Date: _____ Work done by: _____ Service Quote #: _____

Activity: _____

Date: _____ Work done by: _____ Service Quote #: _____

Activity: _____

Date: _____ Work done by: _____ Service Quote #: _____

Activity: _____

Date: _____ Work done by: _____ Service Quote #: _____

Activity: _____

Date: _____ Work done by: _____ Service Quote #: _____

Activity: _____

Date: _____ Work done by: _____ Service Quote #: _____

Activity: _____

Date: _____ Work done by: _____ Service Quote #: _____

Activity: _____



Section 6 - Maintenance

6.6 Maintenance Checklist

PTEZ: _____ Serial Number: _____

Beltline Information:

Beltline Number: _____ Belt Condition: _____

Belt Width: 450mm 600mm 750mm 900mm 1050mm 1200mm 1350mm 1500mm 1800mm 2100mm
 18" 24" 30" 36" 42" 48" 54" 60" 72" 84"

Belt Speed: _____ Belt Thickness: _____

Roller Life:

Date roller installed: _____ Date roller inspected: _____ Estimated roller life: _____

Roller Condition: _____

Roller Condition: Good Bent Rusted

Cleaner's Overall Performance: (Rate the following 1 - 5, 1=very poor - 5= very good)

Appearance: Comments: _____

Location: Comments: _____

Maintenance: Comments: _____

Performance: Comments: _____

Other Comments: _____

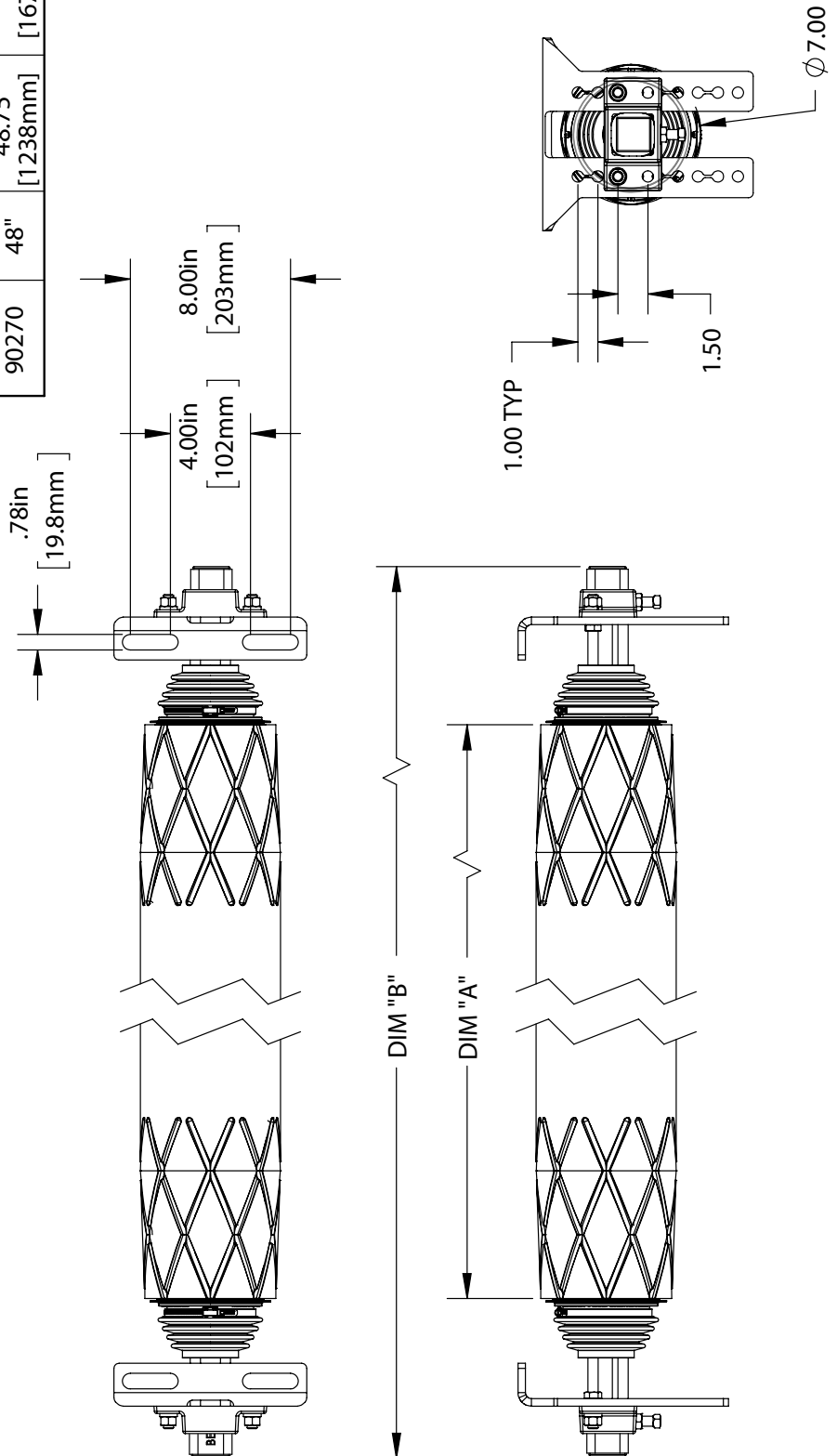
Section 7 - Troubleshooting

Problem	Possible Cause	Possible Solutions
Little to no effect on trouble area of belt	Unit installed in wrong location	Relocate unit 6.0 M (20') after start of problem area of belt
	Incorrect tension on unit	Refer to Step 8 in the installation instructions to fine-tune PTEZ
	Buildup on roller	Clean unit; add belt cleaners
	Unit installed too close to head/tail pulley or takeup	Move unit 6.0 M (20') away from head/tail or takeup pulleys
Belt corrected better in one direction than in other on reversing belts	Unit not centered on frame	Re-center unit
	Unit not square to structure	Re-square to structure
Unit does not pivot	Buildup of material	Clean unit; add belt cleaners
Pivot assembly not turning	Buildup on main roller	Clean unit; add belt cleaners
	Main roller bearing bad	Replace main roller

Section 8 - CAD Drawings

8.1 CAD Drawing - PTEZ™

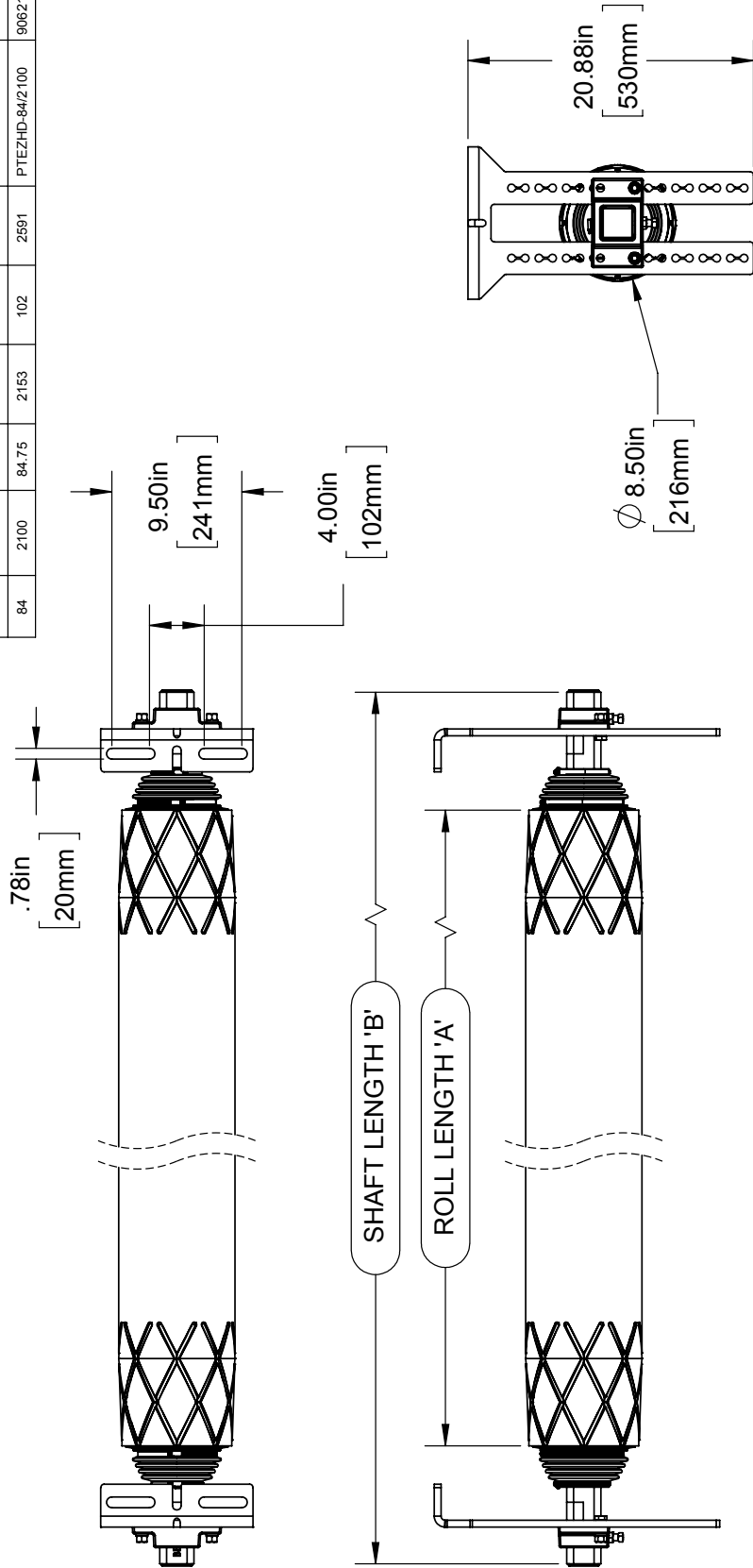
PART NUMBER	BELT WIDTH	DIM "A"	DIM "B"
90265	18"	18.75" [476mm]	36" [914mm]
90266	24"	24.75" [629mm]	42" [1067mm]
90267	30"	30.75" [781mm]	48" [1219mm]
90268	36"	36.75" [933mm]	54" [1372mm]
90269	42"	42.75" [1086mm]	60" [1524mm]
90270	48"	48.75" [1238mm]	66" [1676mm]



Section 8 - CAD Drawings

8.2 CAD Drawing - HD PTEZ™

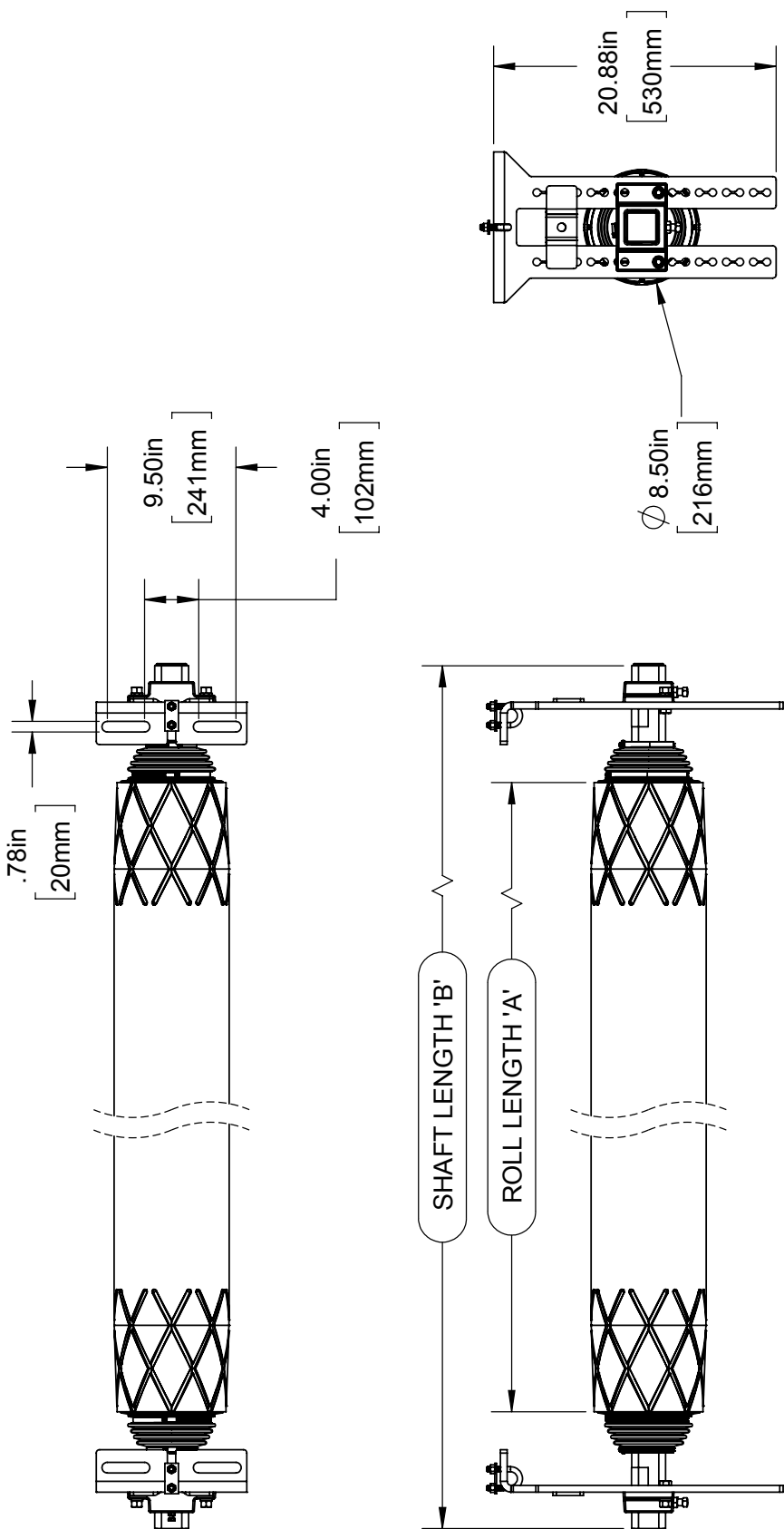
SPECIFICATIONS					
BELT WIDTH (in)	ROLL LENGTH 'A' (mm)	SHAFT LENGTH 'B' (in)	ORDERING NUMBER	ITEM CODE	
42	1050	60	PTEZHD-42/1050	90616	
48	1200	66	PTEZHD-48/1200	90617	
54	1350	72	PTEZHD-54/1350	90618	
56	1400	74	PTEZHD-56/1400	90795	
60	1500	78	PTEZHD-60/1500	90619	
64	1600	82	PTEZHD-64/1600	90796	
72	1800	90	PTEZHD-72/1800	90620	
80	2000	98	PTEZHD-80/2000	90797	
84	2100	102	PTEZHD-84/2100	90621	



Section 8 - CAD Drawings

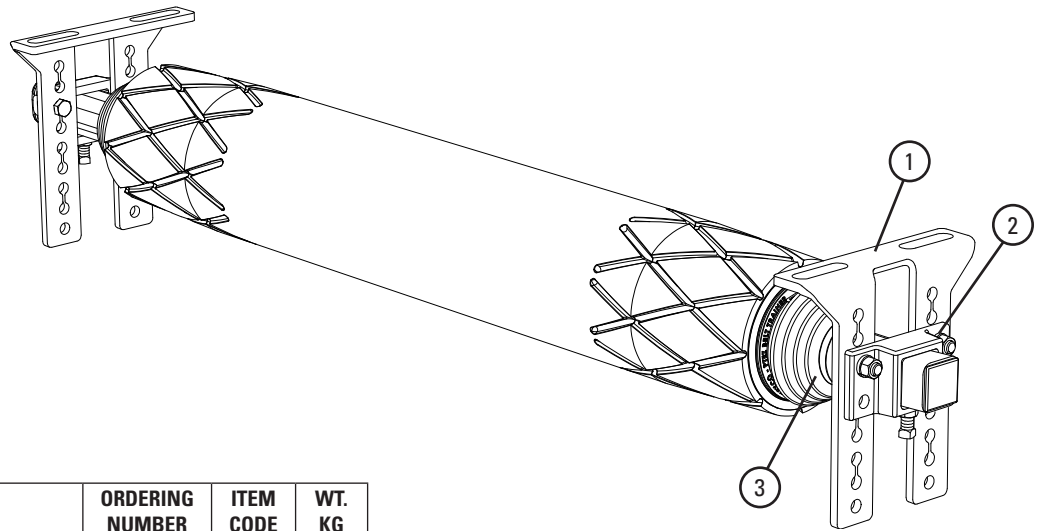
8.3 CAD Drawing - HD PTEZ™ Underground

SPECIFICATIONS					
ITEM CODE	ORDERING NUMBER	SHAFT LENGTH 'B'		ROLL LENGTH 'A'	
		(in)	(mm)	(in)	(mm)
90798	PTEZHD-42/1050-LG	60	1524	42.75	1086
90799	PTEZHD-48/1200-LG	66	1676	48.75	1238
90800	PTEZHD-54/1350-LG	72	1829	54.75	1391
90801	PTEZHD-60/1500-LG	78	1981	60.75	1543
90802	PTEZHD-72/1800-LG	90	2286	72.75	1848



Section 9 - Replacement Parts

9.1 Replacement Parts List - PTEZ™



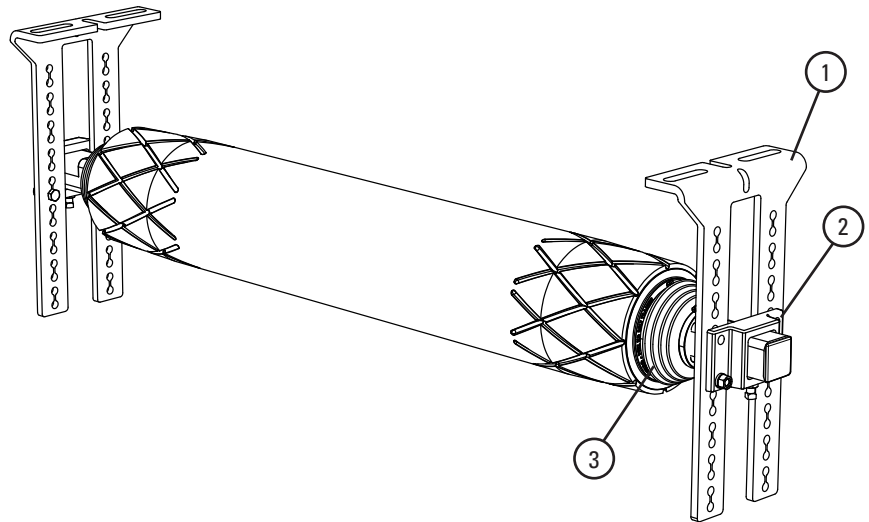
Replacement Parts

REF	DESCRIPTION	ORDERING NUMBER	ITEM CODE	WT. KG
1	PTEZ Mounting Bracket (2 ea.)	PTEZMB	90351	3.6
2	PTEZ Main Shaft Bracket (2 ea.)	PTEZPB	90352	2.7
3	PTEZ Main Shaft Dust Cover (2 ea.)	PTEZDC	90353	0.5

Lead time: 1 working day

Section 9 - Replacement Parts

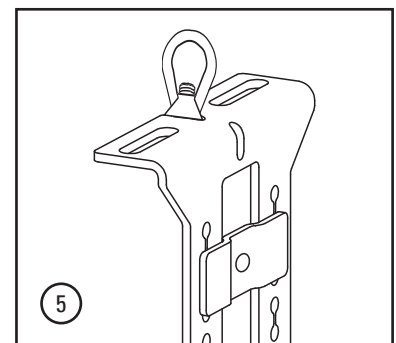
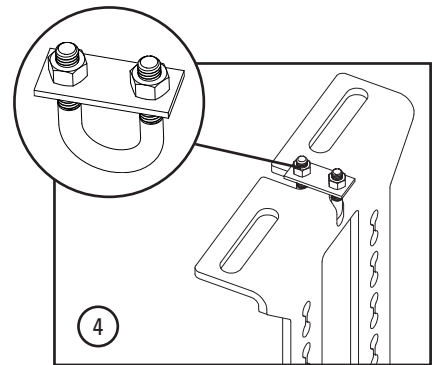
9.2 Replacement Parts List - HD PTEZ™



Replacement Parts

REF	DESCRIPTION	ORDERING NUMBER	ITEM CODE	WT. KG
1	Mount Bracket Kit	PTEZHD-MBK	90803	8.6
2	Pole Bracket Kit	PTEZHD-PBK	90804	3.6
3	Dust Cover Kit	PTEZHD-DCK	90805	0.5
4	Wire Rope Bolt Kit	PTEZHD-WRBK	90806	0.5
5	J Bolt Bracket Kit	PTEZHD-JBBK	90807	0.9

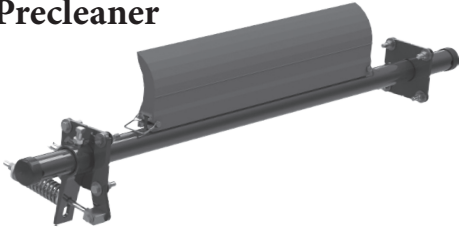
Lead time: 1 working day



Section 10 - Other Flexco Conveyor Products

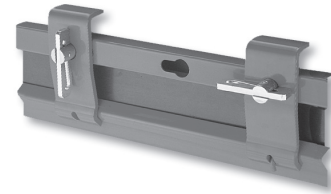
Flexco provides many conveyor products that help your conveyors to run more efficiently and safely. These components solve typical conveyor problems and improve productivity. Here is a quick overview on just a few of them:

EZP1 Precleaner



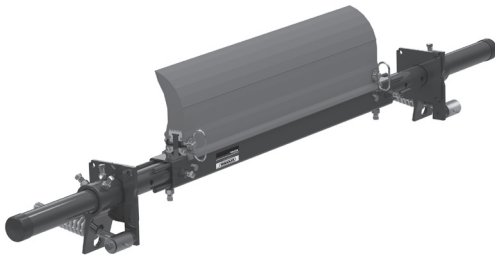
- Patented ConShear™ blade renews its cleaning edge as it wears
- Visual Tension Check™ for optimal blade tensioning and simple retensioning
- Quick and easy one-pin blade replacement
- Material Path Option™ for optimal cleaning and reduced maintenance

Flex-Lok™ Skirt Clamps



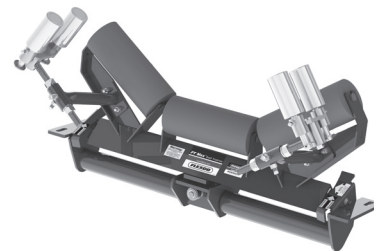
- Eliminates transfer zone spillage
- Interlocking design for easy installation and one-person maintenance
- Unique wedge pin holds rubber securely in place and is easy to adjust
- Available in various models and in stainless steel

MMP Precleaner



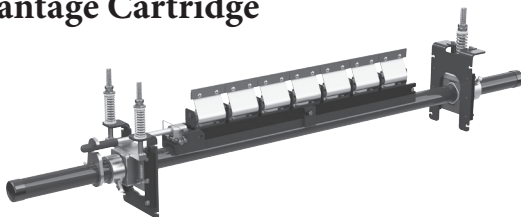
- Extra cleaning power for tough applications
- 250 mm (10") TuffShear™ blade provides increased blade-to-belt tension
- A 3-piece telescoping pole is lighter and easier to install
- Dual Quick-Mount Tensioners ensure optimal tension throughout the life of the blade

PT Max™ Belt Trainer



- Patented “pivot & tilt” design for superior training action
- Dual sensor rollers on each side to minimize belt damage
- Pivot point guaranteed not to freeze up
- Available for topside and return side belts

MHS Secondary Cleaner with Service Advantage Cartridge



- An easy slide-out cartridge for service
- Cartridge design to speed up blade-change maintenance
- Patented PowerFlex™ Cushions for superior cleaning performance
- Compatible with Flexco mechanical splices

Belt Plows



- A belt cleaner for the tail pulley
- Exclusive blade design quickly spirals debris off the belt
- Economical and easy to service
- Available in vee or diagonal models

Visit www.flexco.com for other Flexco locations and products, or to find an authorized distributor.

©2021 Flexible Steel Lacing Company. 02-03-25. X4230

