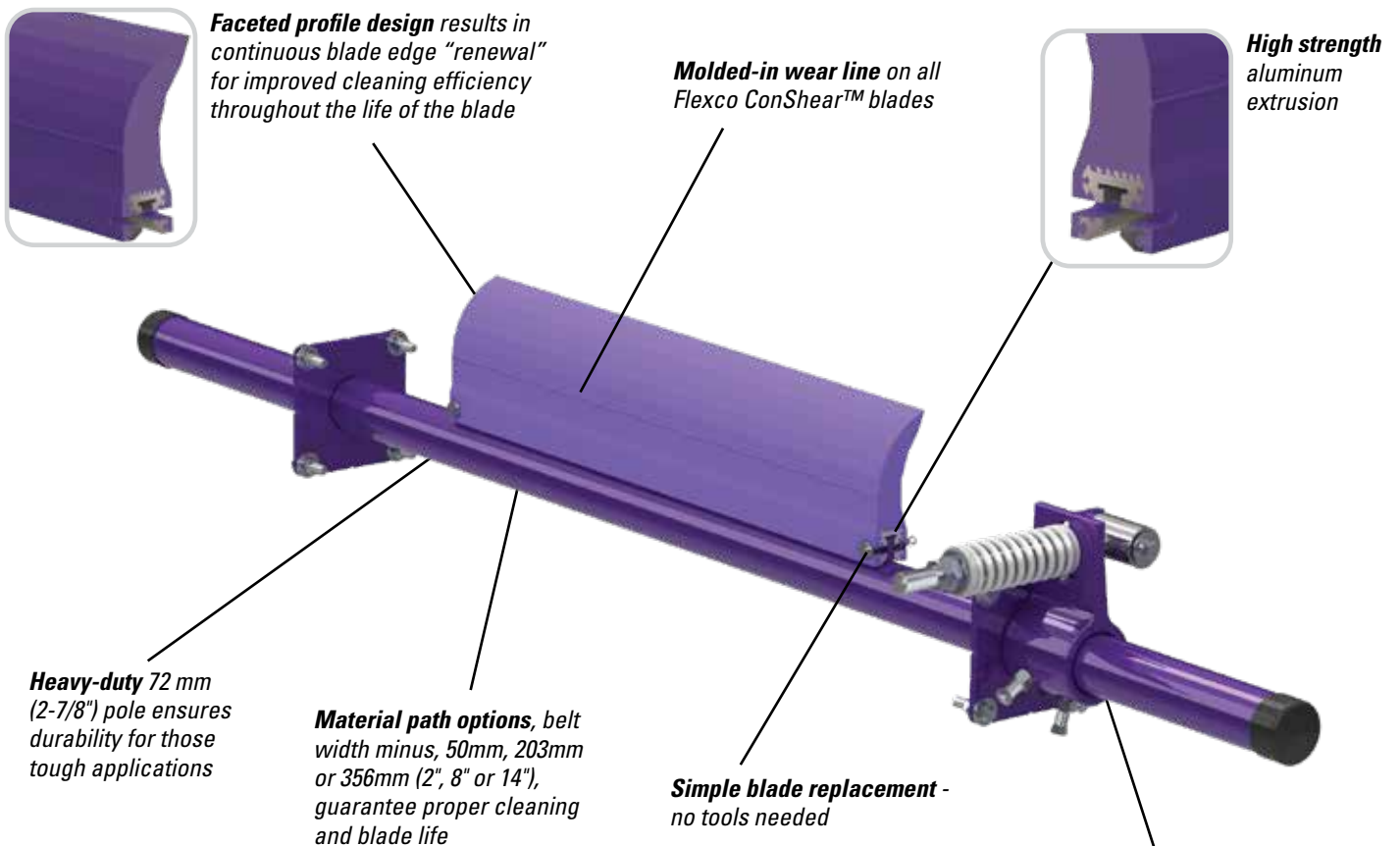


MSP

Standard Mine-Duty Precleaner

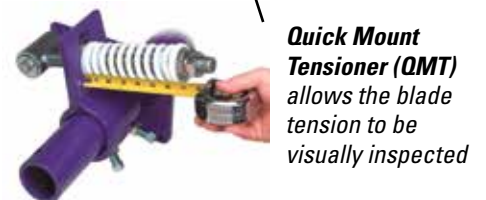
Economical and Effective

The MSP Standard-Duty Precleaner is not your average solid-blade belt cleaner that mounts on the head pulley. It is a mine-tough design that combines simple, do-it-yourself installation, quick maintenance and effective cleaning results with an affordable price tag.



Features and Benefits

- **Quick-change blade.** No tools are needed. Just pull one pin, remove the old blade, slide in the new one and replace the pin.
- **Works with Flexco and other mechanical splices.** The spring tensioner quickly moves the blade away from the belt when a splice passes. The polyurethane blade easily glides over the splice without damage and with minimal cleaning disruption.
- **Easy to service.** All maintenance work is done from the easy-access side of the beltline. Blade retensioning and change-out are quick and easy.
- **Fits most conveyor structures.** Available for belt widths from 600 to 2100mm" (24" to 84). The MSP poles are extra long (belt width plus 1350mm/54") to accommodate varying structure widths.

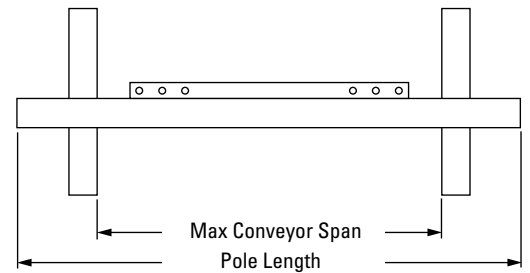
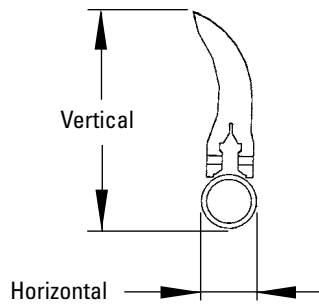
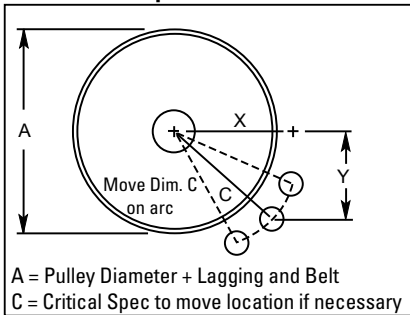


MSP Standard Mine-Duty Precleaner

Specifications and Guidelines

- **Maximum Belt Speed**
3.5 M/sec (700 FPM)
- **Temperature Rating**
-35°C to 82°C (-30°F to 180°F)
- **Minimum Pulley Diameter**
400mm (16")
- **Blade Height**
185mm (7-1/4")
- **Usable Blade Wear Length**
100mm (4")
- **Blade Material**
Polyurethane 83 durometer (proprietary blend for abrasion resistance and long wear)
- **Available for Belt Widths**
600 to 2100mm (24" to 84")
- **Horizontal Clearance Required**
100mm (4")
- **Vertical Clearance Required**
254mm (10")
- **Pole Length**
Cleaner size + 1350mm (54")
- **Maximum Conveyor Span**
Cleaner size + 1100mm (44")

Pole Location Specs



Pole Location Chart

| A | X | Y | C | A | X | Y | C | A | X | Y | C |
|-----|-----|-----|-----|-----|-----|-----|-----|------|-----|-----|-----|
| 400 | 204 | 305 | 367 | 625 | 314 | 230 | 390 | 850 | 446 | 230 | 501 |
| 425 | 218 | 305 | 375 | 650 | 330 | 230 | 402 | 875 | 460 | 230 | 514 |
| 450 | 231 | 305 | 383 | 675 | 346 | 230 | 415 | 900 | 474 | 230 | 526 |
| 475 | 244 | 305 | 390 | 700 | 360 | 230 | 427 | 925 | 488 | 230 | 539 |
| 500 | 259 | 305 | 400 | 725 | 374 | 230 | 439 | 950 | 502 | 230 | 552 |
| 525 | 274 | 305 | 410 | 775 | 389 | 230 | 452 | 975 | 516 | 230 | 565 |
| 550 | 288 | 305 | 419 | 775 | 403 | 230 | 464 | 1000 | 529 | 230 | 576 |
| 575 | 300 | 305 | 428 | 825 | 417 | 230 | 477 | 1025 | 542 | 230 | 589 |
| 600 | 315 | 305 | 438 | 825 | 432 | 230 | 489 | 1050 | 557 | 230 | 602 |

Ordering Information

MSP Standard-Duty Precleaner
Belt Width Minus 2"

| Belt Width | Blade Width | Ordering Number | Item Code |
|------------|-------------|-----------------|-----------|
| mm | in. | | |
| 600 | 24 | MSP-224 | 75787 |
| 750 | 30 | MSP-230 | 75788 |
| 900 | 36 | MSP-236 | 75789 |
| 1050 | 42 | MSP-242 | 75790 |
| 1200 | 48 | MSP-248 | 75791 |
| 1350 | 54 | MSP-254 | 75792 |
| 1500 | 60 | MSP-260 | 75793 |
| 1800 | 72 | MSP-272 | 75794 |
| 2100 | 84 | MSP-284 | 76796 |

MSP Standard-Duty Precleaner
Belt Width Minus 8"

| Belt Width | Blade Width | Ordering Number | Item Code |
|------------|-------------|-----------------|-----------|
| mm | in. | | |
| 600 | 24 | MSP-824 | 75795 |
| 750 | 30 | MSP-830 | 75796 |
| 900 | 36 | MSP-836 | 75797 |
| 1050 | 42 | MSP-842 | 75798 |
| 1200 | 48 | MSP-848 | 75799 |
| 1350 | 54 | MSP-854 | 75800 |
| 1500 | 60 | MSP-860 | 75801 |
| 1800 | 72 | MSP-872 | 75802 |
| 2100 | 84 | MSP-884 | 76797 |

Replacement ConShear™ Blades

| Blade Width | | Ordering Number | Item Code |
|-------------|-----|-----------------|-----------|
| mm | in. | | |
| 300 | 16 | CRB-16 | 75629 |
| 350 | 22 | CRB-22 | 75630 |
| 450 | 28 | CRB-28 | 75631 |
| 600 | 34 | CRB-34 | 75632 |
| 750 | 40 | CRB-40 | 75633 |
| 800 | 46 | CRB-46 | 75634 |
| 950 | 52 | CRB-52 | 75635 |
| 1000 | 58 | CRB-58 | 75636 |
| 1150 | 64 | CRB-64 | 75775 |
| 1200 | 70 | CRB-70 | 75773 |
| 1350 | 76 | CRB-76 | 76940 |
| 1400 | 82 | CRB-84 | 76941 |

Other blade sizes available upon request.

Authorized Distributor:

236 Albert Amon Rd • Meadowdale Ext. 7 • Germiston 1614 • South Africa
Tel: +27-11-608-4180 • Fax: +27-11-454-5821 • E-mail: flexco@flexco.co.za

Visit www.flexco.com for other Flexco locations and products.

©2020 Flexible Steel Lacing Company. 02/05/20. For reorder: X3946

