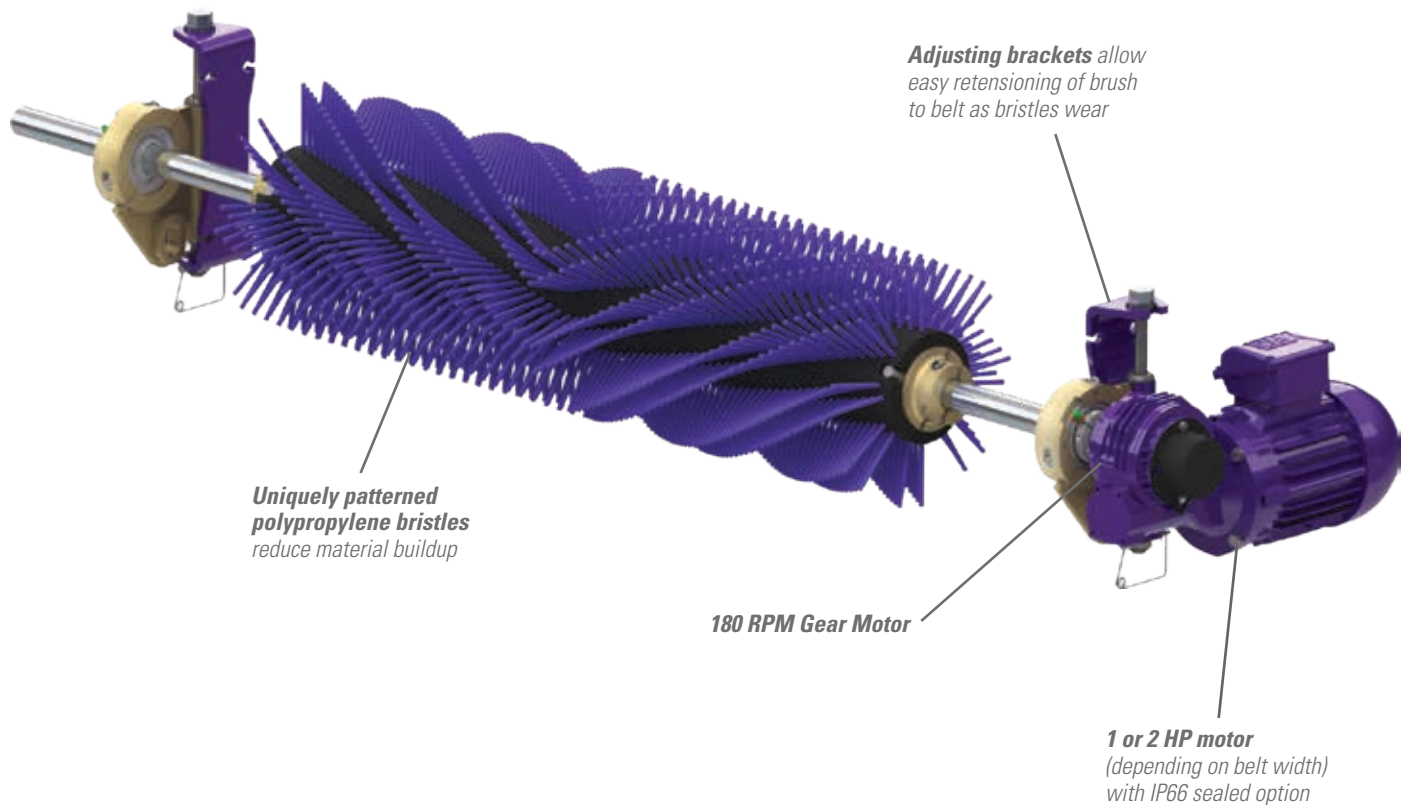


MOTORIZED BRUSH CLEANER

Effective Cleaning Solution for Chevron, Cleated and Raised-rib Belts

Chevron, cleated and raised-rib belts present a special problem for efficient cleaning. The Motorized Brush Cleaner is an ideal option for cleaning these belts. It also performs well as the second or third cleaner in a system with worn or pitted belts, as the bristles effectively dislodge trapped material.



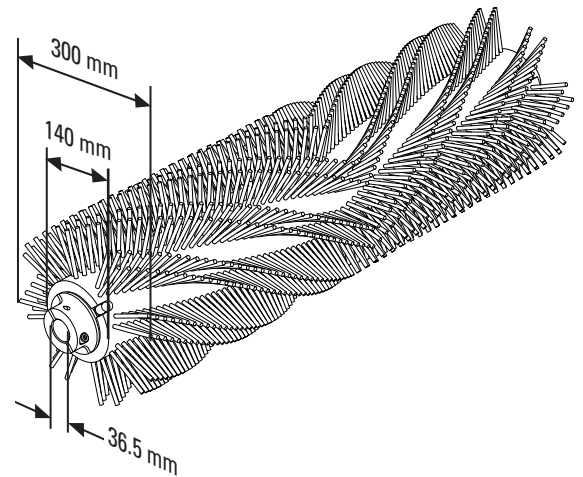
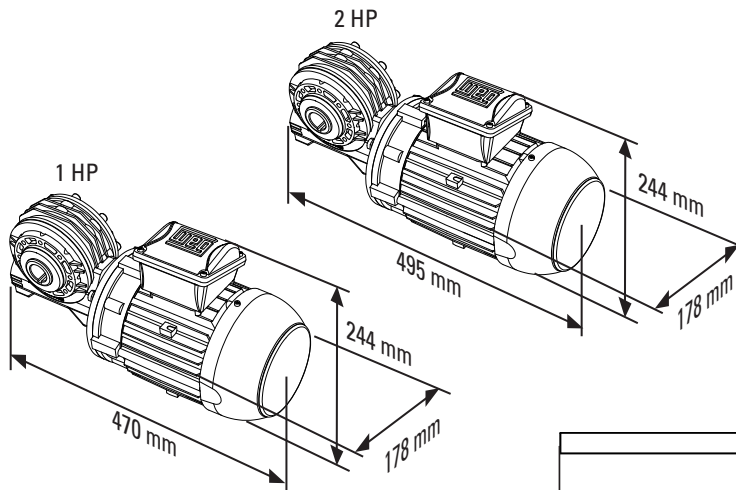
Features and Benefits

- **Maximum Cleaning.** Spins opposite the belt direction for optimal cleaning.
- **Uniquely patterned bristles.** Aids in reducing material buildup and clogging.
- **Adjustable tensioners.** Allows easy brush-to-belt adjustment as the bristles wear.
- **Works on mechanically spliced or vulcanized belts.**

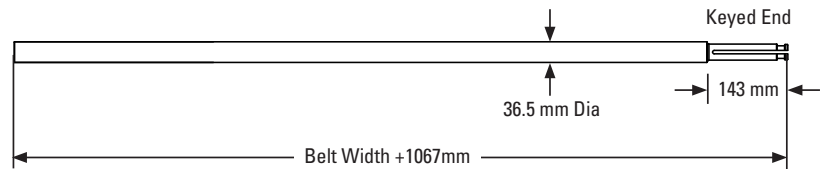
MOTORIZED BRUSH CLEANER

Specifications and Guidelines

- **Maximum Belt Speed**
3.5 m/s
- **Temperature Rating**
-30° C to 82° C
- **Overall Brush Diameter**
305mm
- **Bristle Material**
Polypropylene
- **Bristle Length**
83mm
- **Brush RPM**
180
- **Shaft Diameter**
36.5mm
- **Shaft Length**
Belt Width +1067mm
- **Maximum Chevron or Cleat Height**
13mm
- **Motor Voltage and HP**
208-230/460VAC 3 Phase*
1HP (Cleaners 450-1050mm)
2HP (Cleaners 1200-2100mm)
575V 3 Phase*
1HP (Cleaners (450-900mm)
2HP (Cleaners (1050-2100mm)
**other motors available upon request*
- **Motor Ingress Protection**
IP55 or IP66
- **Available for Belt Widths**
450 to 2100mm
- **Horizontal Clearance Required**
305mm
- **Vertical Clearance Required**
305mm



Shaft Measurements



Ordering Information

Motorized Brush Cleaner 208-230/460 VAC 3-Phase Motor								
Belt Width	Brush Coverage		Ordering Number	Item Code	Ordering Number		Item Code	
	mm	in.			IP55	IP66		
450	18	450	18	MBC-18	79494	MBC-18-S	91571	
600	24	600	24	MBC-24	79495	MBC-24-S	91572	
750	30	750	30	MBC-30	79496	MBC-30-S	91573	
900	36	900	36	MBC-36	79497	MBC-36-S	91574	
1050	42	1050	42	MBC-42	79498	MBC-42-S	91575	
1200	48	1200	48	MBC-48	79499	MBC-48-S	91576	
1350	54	1350	54	MBC-54	79500	MBC-54-S	91577	
1500	60	1500	60	MBC-60	79501	MBC-60-S	91578	
1800	72	1800	72	MBC-72	79502	MBC-72-S	91579	
2100	84	2100	84	MBC-84	79503	MBC-84-S	91580	

Motorized Brush Cleaner 575V 3-Phase Motor								
Belt Width	Brush Coverage		Ordering Number	Item Code	Ordering Number		Item Code	
	mm	in.			IP55	IP66		
450	18	450	18	MBC-18-575V	79914	MBC-18-575V-S	91581	
600	24	600	24	MBC-24-575V	79915	MBC-24-575V-S	91582	
750	30	750	30	MBC-30-575V	79916	MBC-30-575V-S	91583	
900	36	900	36	MBC-36-575V	79917	MBC-36-575V-S	91584	
1050	42	1050	42	MBC-42-575V	79918	MBC-42-575V-S	91585	
1200	48	1200	48	MBC-48-575V	79919	MBC-48-575V-S	91586	
1350	54	1350	54	MBC-54-575V	79920	MBC-54-575V-S	91587	
1500	60	1500	60	MBC-60-575V	79921	MBC-60-575V-S	91588	
1800	72	1800	72	MBC-72-575V	79922	MBC-72-575V-S	91589	
2100	84	2100	84	MBC-84-575V	79923	MBC-84-575V-S	91590	

Replacement Brushes	
Ordering Number	Item Code
MBRD-18	79514
MBRD-24	79515
MBRD-30	79516
MBRD-36	79517
MBRD-42	79518
MBRD-48	79519
MBRD-54	79520
MBRD-60	79521
MBRD-72	79522
MBRD-84	79523

Authorized Distributor:

Flexco Europe GmbH • Maybachstrasse 9 • 72348 Rosenfeld • Deutschland
Tel: +49-7428-9406-0 • Fax: +49-7428-9406-260 • E-mail: europe@flexco.com

Visit www.flexco.com for other Flexco locations and products.

©2020 Flexible Steel Lacing Company. 11/19/19. For reorder: X3748

