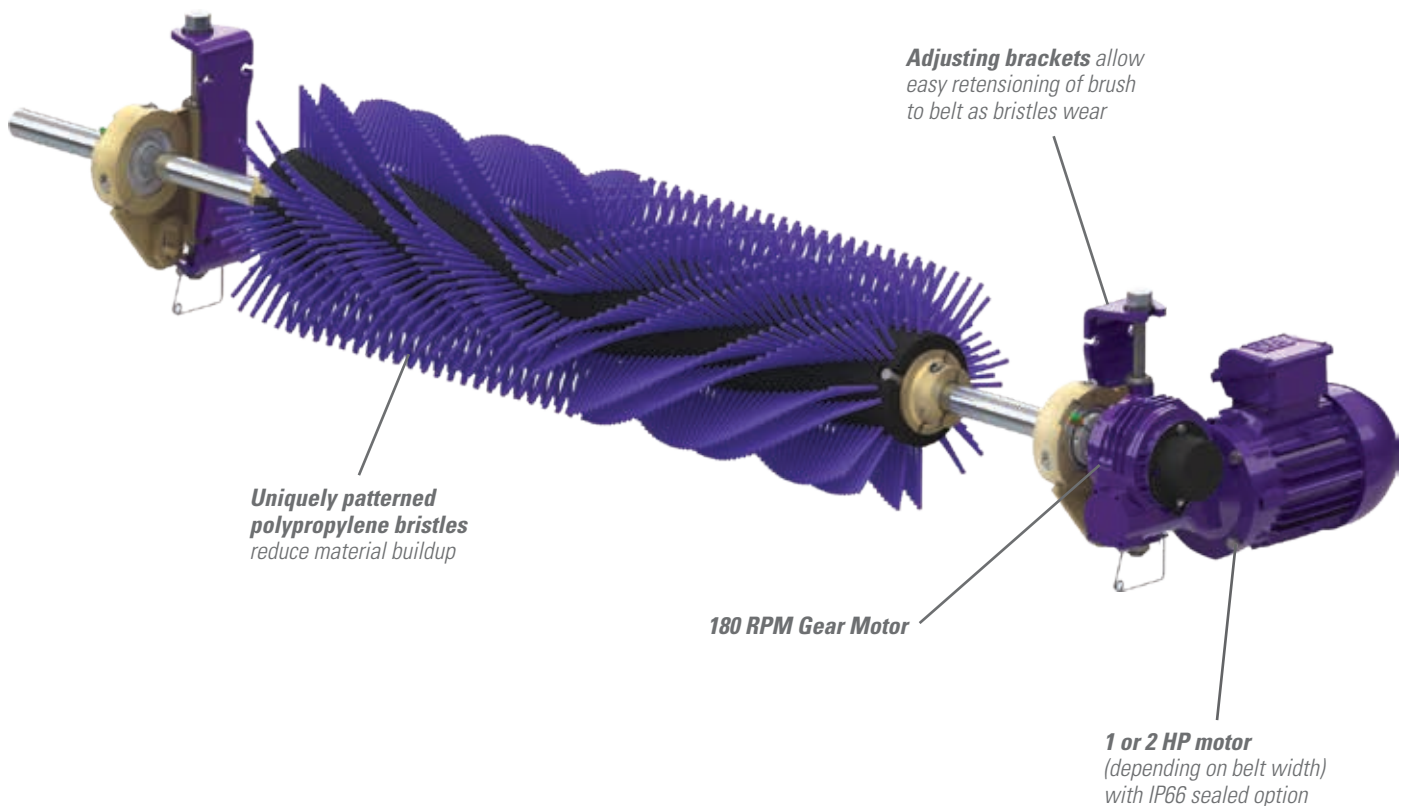


MOTORISED BRUSH CLEANER

Effective Cleaning Solution for Chevron, Cleated and Raised-rib Belts

Chevron, cleated and raised-rib belts present a special problem for efficient cleaning. The Motorised Brush Cleaner is an ideal option for cleaning these belts. It also performs well as the second or third cleaner in a system with worn or pitted belts, as the bristles effectively dislodge trapped material.



Features and Benefits

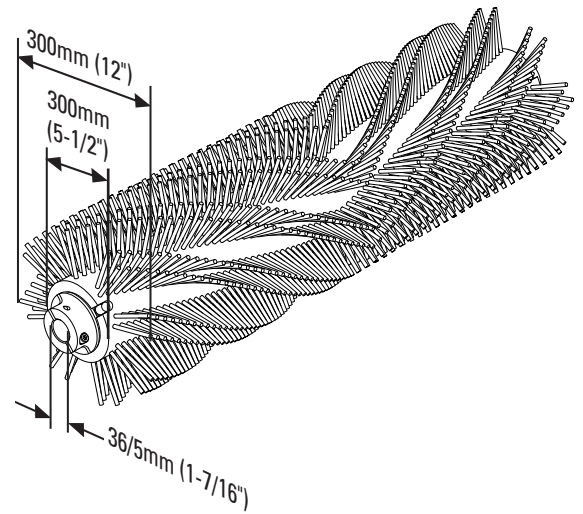
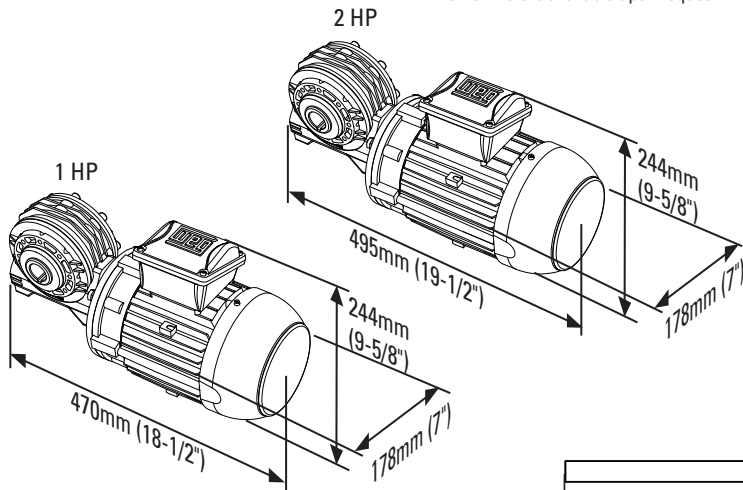
- **Maximum Cleaning.** Spins opposite the belt direction for optimal cleaning.
- **Uniquely patterned bristles.** Aids in reducing material buildup and clogging.
- **Adjustable tensioners.** Allows easy brush-to-belt adjustment as the bristles wear.
- **Works on mechanically spliced or vulcanized belts.**

MOTORISED BRUSH CLEANER

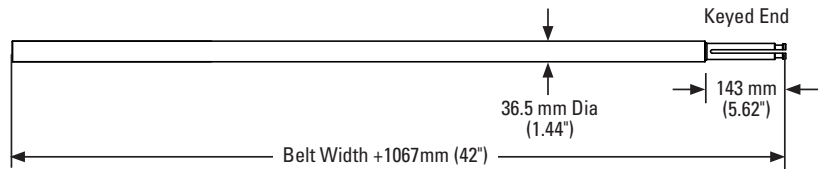
Specifications and Guidelines

- **Maximum Belt Speed**
3.5 m/s (700 FPM)
- **Temperature Rating**
-30° C to 82° C (-20°F to 180° F)
- **CEMA Cleaner Rating**
Class 4
- **Overall Brush Diameter**
305mm (12")
- **Bristle Material**
Polypropylene
- **Bristle Length**
83mm (3-1/4")
- **Brush RPM**
180
- **Shaft Diameter**
36.5mm (1-7/16")
- **Shaft Length**
Belt Width +1067mm (42")
- **Maximum Chevron or Cleat Height**
13mm (1/2")
- **Motor Voltage and HP**
208-230/460VAC 3 Phase*
1HP Cleaners 450-1050mm (18-42")
2HP Cleaners 1200-2100mm (48-84")
575V 3 Phase*
1HP Cleaners 450-900mm (18-36")
2HP Cleaners 1050-2100mm (42-84")
- **Motor Ingress Protection**
IP55 or IP66
- **Available for Belt Widths**
450 to 2100mm (18" to 84")
- **Horizontal Clearance Required**
305mm (12")
- **Vertical Clearance Required**
305mm (12")

*other motors available upon request



Shaft Measurements



Ordering Information

Motorized Brush Cleaner 208-230/460 VAC 3-Phase Motor							
Belt Width		Brush Coverage		Ordering Number	Item Code		
mm	in.	mm	in.	IP55	IP66		
450	18	450	18	MBC-18	79494	MBC-18-S	91571
600	24	600	24	MBC-24	79495	MBC-24-S	91572
750	30	750	30	MBC-30	79496	MBC-30-S	91573
900	36	900	36	MBC-36	79497	MBC-36-S	91574
1050	42	1050	42	MBC-42	79498	MBC-42-S	91575
1200	48	1200	48	MBC-48	79499	MBC-48-S	91576
1350	54	1350	54	MBC-54	79500	MBC-54-S	91577
1500	60	1500	60	MBC-60	79501	MBC-60-S	91578
1800	72	1800	72	MBC-72	79502	MBC-72-S	91579
2100	84	2100	84	MBC-84	79503	MBC-84-S	91580

Motorized Brush Cleaner 575V 3-Phase Motor							
Belt Width		Brush Coverage		Ordering Number	Item Code		
mm	in.	mm	in.	IP55	IP66		
450	18	450	18	MBC-18-575V	79914	MBC-18-575V-S	91581
600	24	600	24	MBC-24-575V	79915	MBC-24-575V-S	91582
750	30	750	30	MBC-30-575V	79916	MBC-30-575V-S	91583
900	36	900	36	MBC-36-575V	79917	MBC-36-575V-S	91584
1050	42	1050	42	MBC-42-575V	79918	MBC-42-575V-S	91585
1200	48	1200	48	MBC-48-575V	79919	MBC-48-575V-S	91586
1350	54	1350	54	MBC-54-575V	79920	MBC-54-575V-S	91587
1500	60	1500	60	MBC-60-575V	79921	MBC-60-575V-S	91588
1800	72	1800	72	MBC-72-575V	79922	MBC-72-575V-S	91589
2100	84	2100	84	MBC-84-575V	79923	MBC-84-575V-S	91590

Replacement Brushes	
Ordering Number	Item Code
MBRD-18	79514
MBRD-24	79515
MBRD-30	79516
MBRD-36	79517
MBRD-42	79518
MBRD-48	79519
MBRD-54	79520
MBRD-60	79521
MBRD-72	79522
MBRD-84	79523

Authorized Distributor:

Flexco (Aust.) Pty. Ltd • 10 Solent Circuit, Norwest • NSW, Australia, 2153 • Australia
Tel: 612-8818-2000 • Fax: 612-8824-6333 • E-mail: salesau@flexco.com

Visit www.flexco.com for other Flexco locations and products.

©2020 Flexible Steel Lacing Company. 11/19/20. For reorder: X3664

