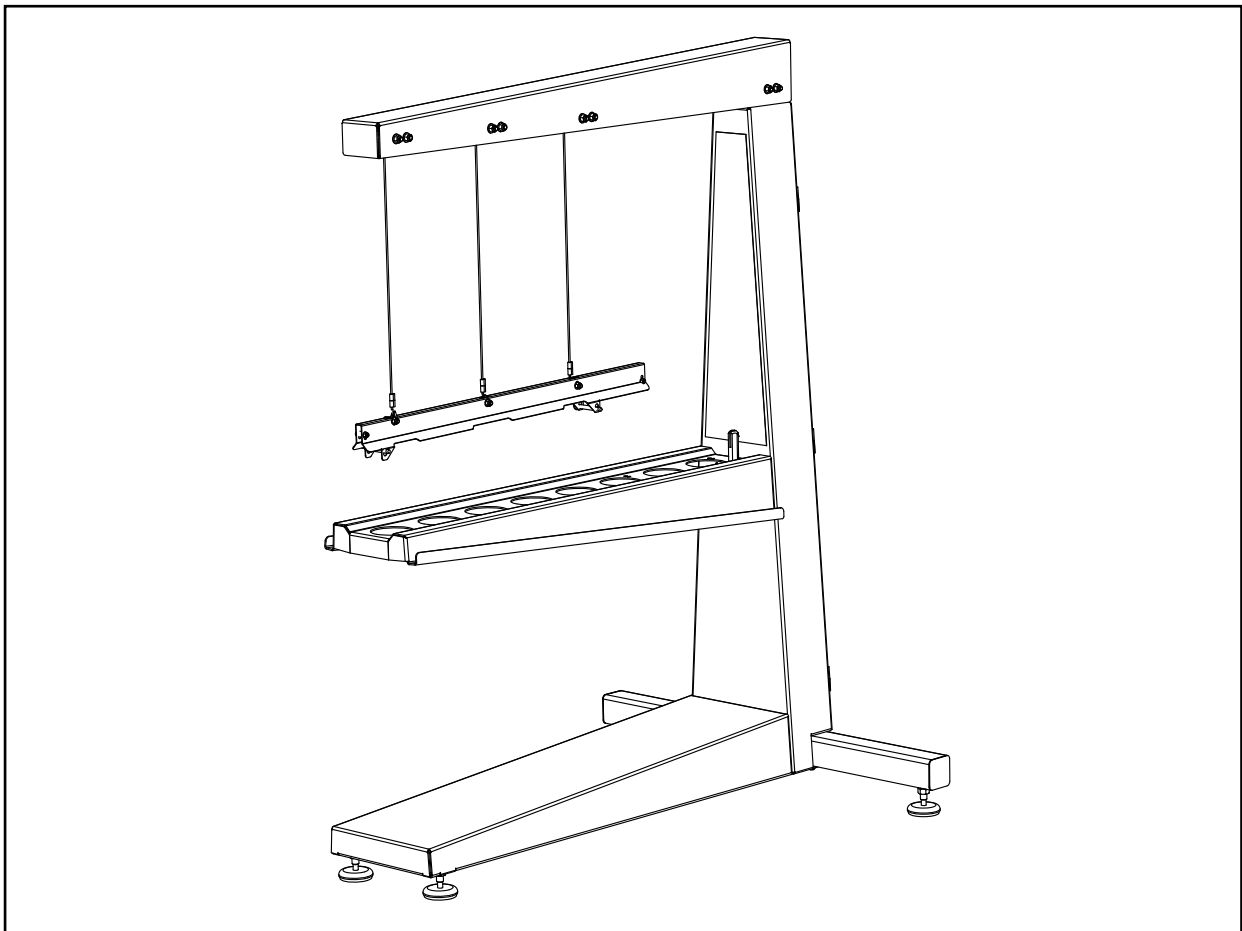


Aero® Press Stand

Safety and Operation Manual

Splicing Press Efficiency in the Fabrication Workshop



 **WARNING**

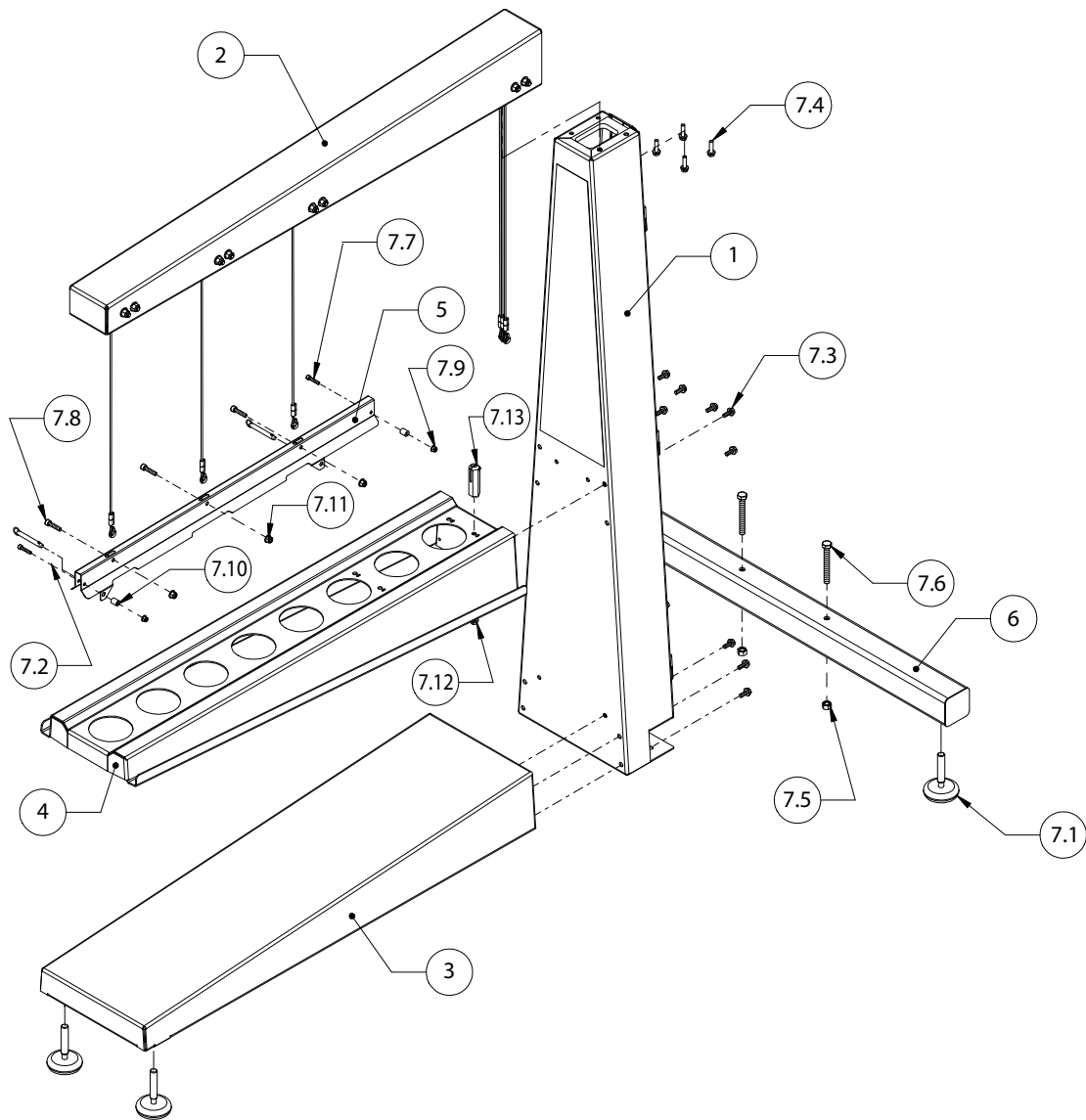
IMPROPER OR UNSAFE use of this tool can result in serious bodily injury! This manual contains important information about product function and safety. Please read and understand this manual BEFORE operating the tool. Please keep this manual available for other users and owners before they use the tool. This manual should be stored in a safe place.

Table of Contents

Main Components Aero® Press Stand	3
Description.....	4
Specifications.....	4
General Safety Rules.....	5
Aero Stand™ Assembly.....	7
Installing Aero® Press into Aero Press Stand	15
Operation of the Aero® Press Stand	17
Removing the Aero® Press from the Aero Stand	18
Warranty.....	19

Disclaimer The Aero Press Stand has been tested successfully with the Aero 900, Aero 1200, and Aero 1500 models. It is intended for use only with Aero splicing presses manufactured by Flexco and only in these three specific models.

Main Components Aero® Press Stand



No.	Item No.	Description	Qty	No.	Item No.	Description	Qty
1	08309	AERO STAND COLUMN ASSEMBLY	1	7.5	G1726	HEX NUT M12 × 1.75 ZN	2
2	08307	AERO STAND TOP BEAM ASSEMBLY	1	7.6	G2027	HFBOLT M12 × 100 ZN	2
3	08313	AERO STAND BASE	1	7.7	G2037	SCREW SHCS M6 × 30 ZN	2
4	08312	AERO STAND CRADLE	1	7.8	G2036	SCREW SHCS M8 × 35 ZN	3
5	08326	LIFTING INTERFACE	1	7.9	G2039	NUT NYLOK FLNG M6 ZN	2
6	Q1786	AERO STAND CROSS SUPPORT	1	7.10	G2040	SPACER 6 MM × 16 MM ZN	2
7.1	Q1753	LEVELING FOOT	4	7.11	G2038	NUT NYLOK FLNG M8 ZN	3
7.2	G2041	PIN DETENT 9.5 MM × 60 MM ZN	2	7.12	G2050	SCREW HEX FLG M10 × 20 ZN	1
7.3	G1991	M8 × 1.25 × 20 HHCS FLNG ZN	12	7.13	08320	AERO STAND LOCATING POST	1
7.4	G2026	SCREW HEX FLG M8 × 30 ZN	4				

Description

With the Aero® Press Stand, you are in possession of a quality Novitool® product from Flexco. The carefully developed and built machine gives you the option of the highest quality conveyor belting fabrication. With the Aero Stand, you can now easily position the Aero 900, 1200, or 1500 press for fabrication convenience and time savings.

The stand is manufactured from heavy gauge sheet metal to assure stability for continuous press use. The design allows for the Aero presses to be loaded

quickly and conveniently. The lower beam of the Aero is fixed into the stationary cradle of the press stand. The upper beam is connected into the press using cable interface. One person can operate it easily, where movement of the upper half of the press is assisted with counterweights.

Two Aero stand models are available. One stand includes an umbilical cable that allows raising of the upper beam without electrically disconnecting the two press beams.

Specifications

Aero Stand Ordering Information		
Item Number	08080	08114
Description	AERO-STAND-CW	AERO-STAND-CW-UMCABLE
Dimensions (Assembled)	1399 × 1116 × 1854 mm (55" × 44" × 73")	1399 × 1116 × 1854 mm (55" × 44" × 73")
Dimensions (Working)	1583-1883 × 1116 × 1854 mm (62-74" × 44" × 73")	1583-1883 × 1116 × 1854 mm (62-74" × 44" × 73")
Shipping Weight	139 kg (306 lbs)	141 kg (311 lbs)
Feature	NA	Umbilical Cable Extension

The Identification plate of the Aero Press Stand is located on the inside of the column assembly door.

Tools Required for Assembly of the Aero Stand

- 13, 15, and 19 mm wrenches
- Adjustable wrench
- 5 and 6 mm Hex wrenches

General Safety Rules –Save These Instructions–

Signal words:

“DANGER” indicates an imminently hazardous situation which, if not avoided, will result in death or serious injury. This signal word is limited to the most extreme situations.

“WARNING” indicates a potentially hazardous situation which, if not avoided, could result in death or serious injury.

“CAUTION” indicates a potentially hazardous situation which, if not avoided, may result in minor or moderate injury. It may also be used to alert against unsafe practices.

Safety Symbol



This international safety symbol is used to identify and call attention to specific safety matters.

Safety Information

To Avoid Severe Personal Injury or Property Damage, read carefully and understand the following Safety Precautions.

1. WORK AREA

CAUTION

Keep your work area clean and well lit. Cluttered benches and dark areas invite accidents.

2. PERSONAL SAFETY

CAUTION

Use safety equipment. Always wear eye protection. Dust mask, non-skid safety shoes, hardhat, or hearing protection must be used for appropriate conditions.

Never alter or remove safety devices.

WARNING

Stay alert, watch what you are doing and use common sense when operating a tool. Do not use tool while tired or under the influence of drugs, alcohol, or medication. A moment of inattention while operating tools may result in serious personal injury.

Dress properly. Do not wear loose clothing or jewelry. Contain long hair. Keep your hair, clothing, and gloves away from moving parts. Loose clothes, jewelry, or long hair can be caught in moving parts.

3. TOOL USE AND CARE

CAUTION

Check for misalignment or binding of moving parts, breakage of parts, and any other condition that may affect the tool's operation. If damaged, have the tool serviced before using. Poorly maintained tools cause many accidents.

General Safety Rules -Save These Instructions-

4. SERVICE AND MAINTENANCE

⚠ CAUTION

When servicing a tool, use only original replacement parts. Use of unauthorized parts or failure to follow Maintenance Instructions, may create a risk of injury.

Do not wipe plastic parts with solvent. Solvents such as gasoline, thinner, benzene, carbon tetrachloride, and alcohol may damage and crack plastic parts. Do not wipe them with such solvents. Wipe plastic parts with a soft cloth lightly dampened with soapy water and dry thoroughly.

⚠ WARNING

Only qualified repair personnel must perform tool service. Service or maintenance performed by unqualified personnel could result in a risk of injury.

NEVER use a tool, which is defective or operating abnormally. If the tool appears to be operating unusually, making strange noises, or otherwise appears defective, stop using it immediately and arrange for repairs

Maintain tools with care. Keep machine parts clean. Properly serviced tools are less likely to bind or clutter material and are easier to control.

5. AERO STAND SAFETY

⚠ DANGER

Read and understand the Aero Press operations manual before using the press in the Aero Stand.

⚠ CAUTION

Avoid pinch points during the assembly and in operation. Exercise caution when moving weights or lifting and positioning of components.

Exercise care to avoid unbalanced component conditions during assembly.

Do not cut or kink the lifting cables during handling, assembly, or operation of the Aero Stand.

⚠ WARNING

Two persons are required for assembly of the Aero Stand. Portions of the process are difficult for one person to perform without risk of injury.

Ensure that Aero Press is secure in stand prior to operation.

Do not move the press stand to a different location while the press is installed.

Do not exceed weight capacity of the Aero Stand cradle. The Aero Stand design is for use only with Aero presses 900, 1200, and 1500.

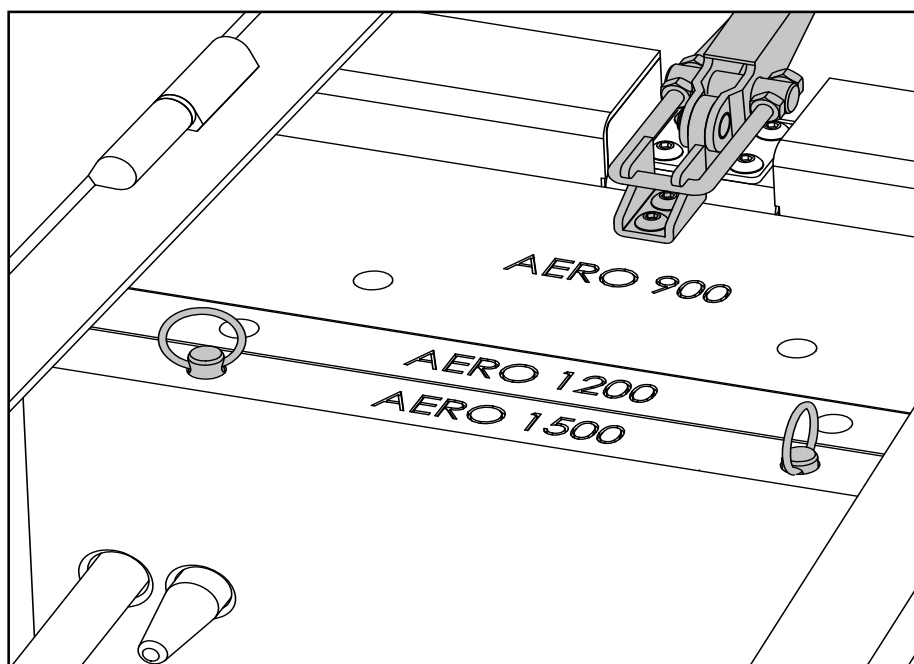
Ensure that the weight pins are installed securely in the proper position before operating the stand.

Ensure that vertical column door is closed and latched during operation of the stand.

Avoid raising/lowering of the upper beam with excessive speed.

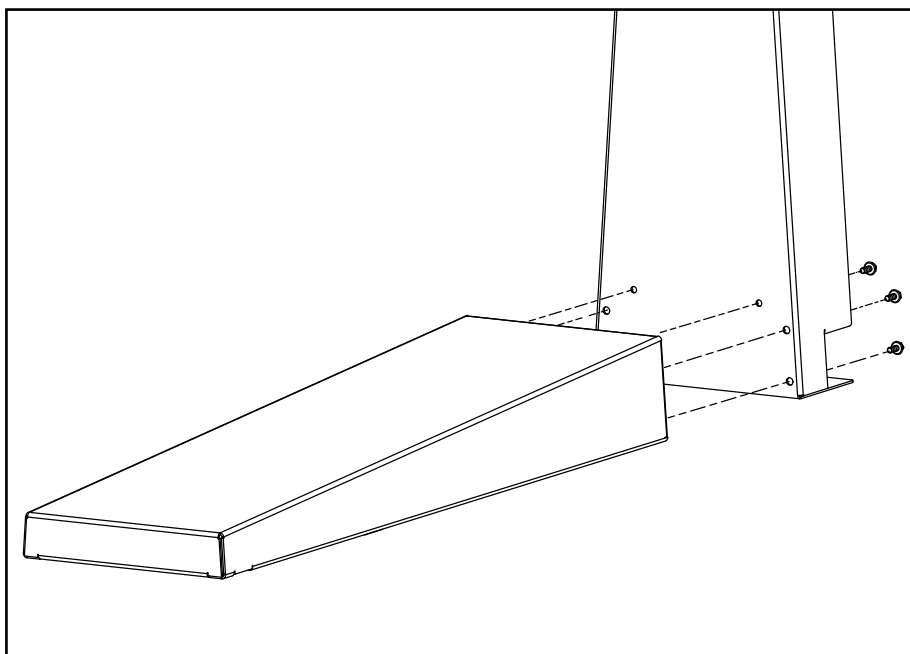
Aero Stand Assembly

A1



With column assembly laying on the floor, open door and remove packing material. Install pins in weight mechanism to Aero 1500 location. Slide all three weights to the top and fasten into place with the toggle clamp. Ensure that latch is secured to the weights.

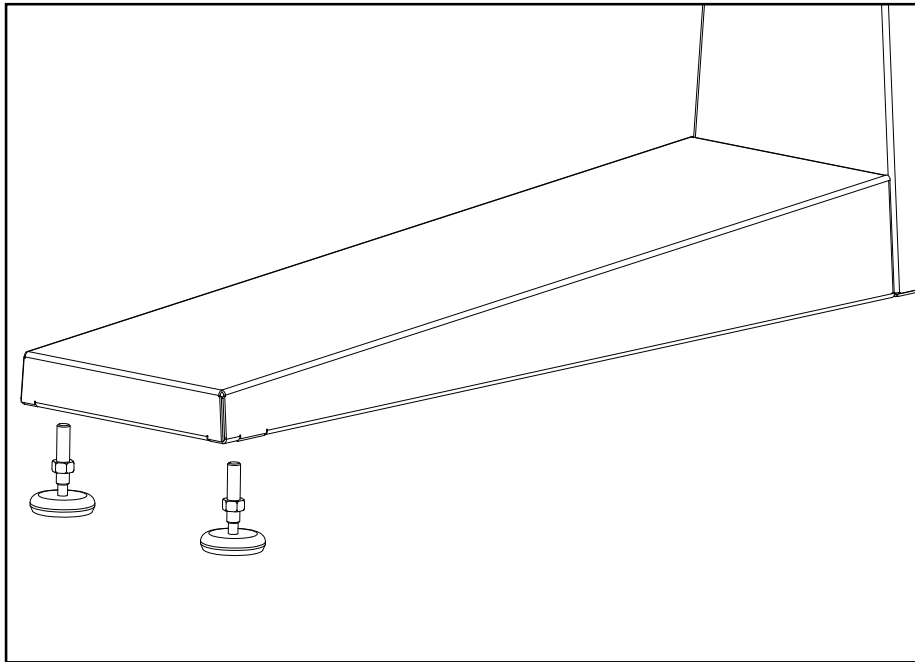
A2



Using six M8 × 20 mm screws (item # 7.3) assemble base (item # 3) to column assembly (item # 1). Note: Install all screws initially loose, tightening after all are installed.

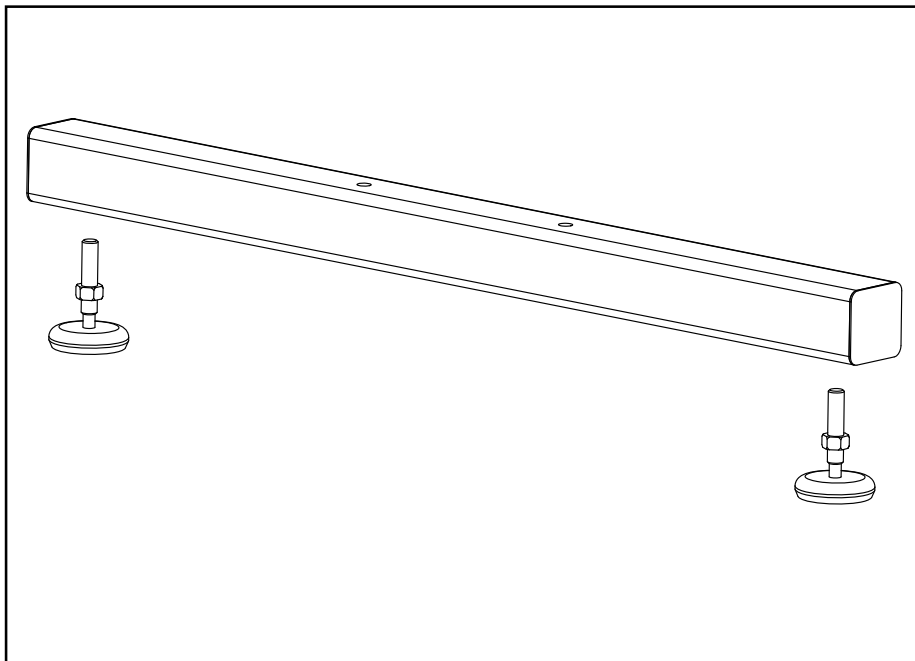
Aero Stand Assembly

A3



Ensure jam nuts are positioned onto the threaded shafts of the leveling feet (as shown) before installation. Install two leveling feet (item # 7.1) into Aero Stand base (item # 3). Ensure leveling feet are fully engaged through mounts.

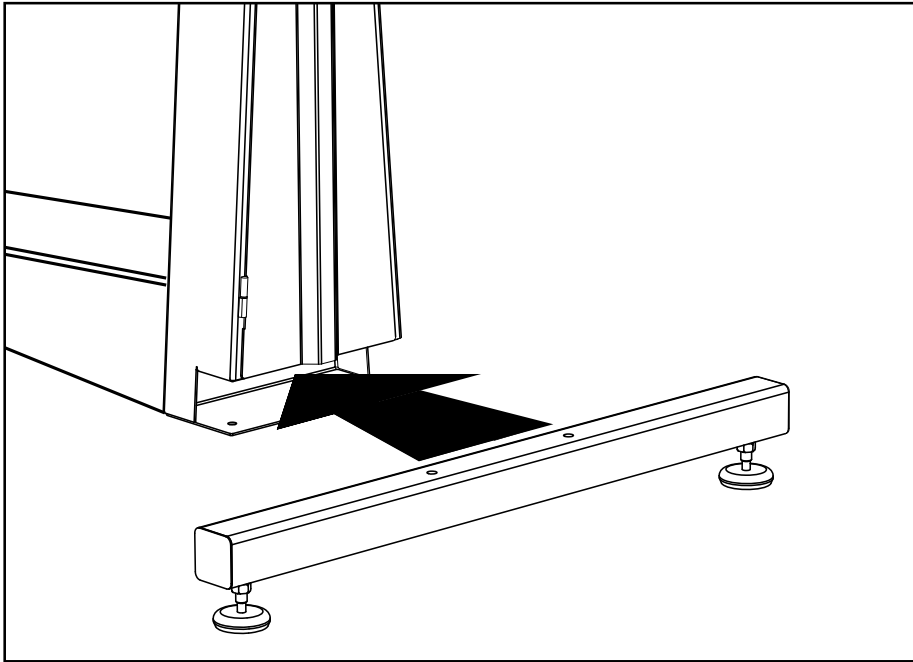
A4



Ensure jam nuts are positioned onto the threaded shafts of the leveling feet (as shown) before installation. Install two leveling feet (item # 7.1) into cross support assembly (item # 6). Ensure leveling feet are fully engaged through the mounts.

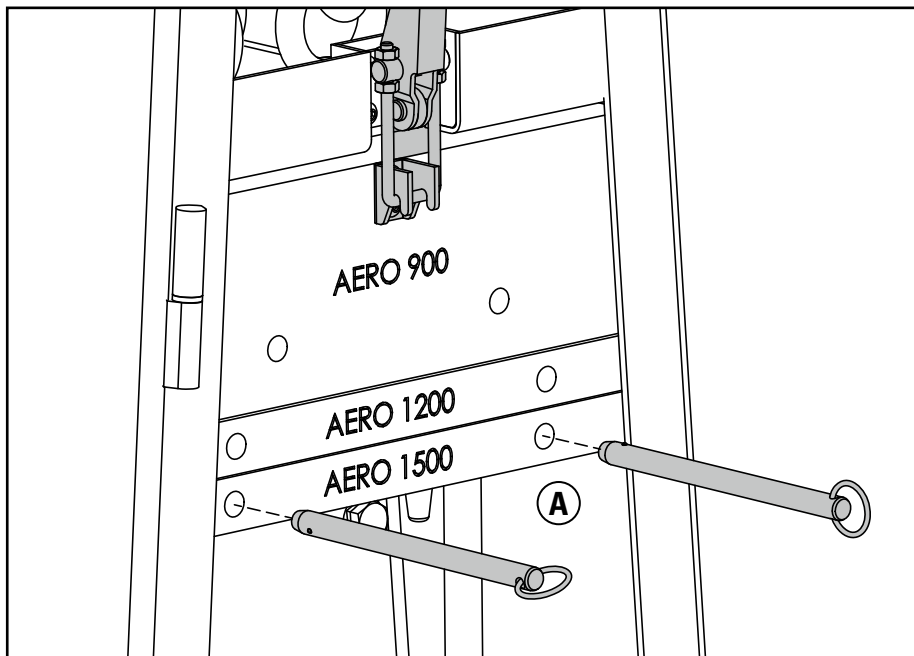
Aero Stand Assembly

A5



Using two M12 × 100 mm bolts (item # 7.6) and two M12 nuts (item # 7.5) assemble cross support assembly (item # 6) into column assembly (item # 1).

A6

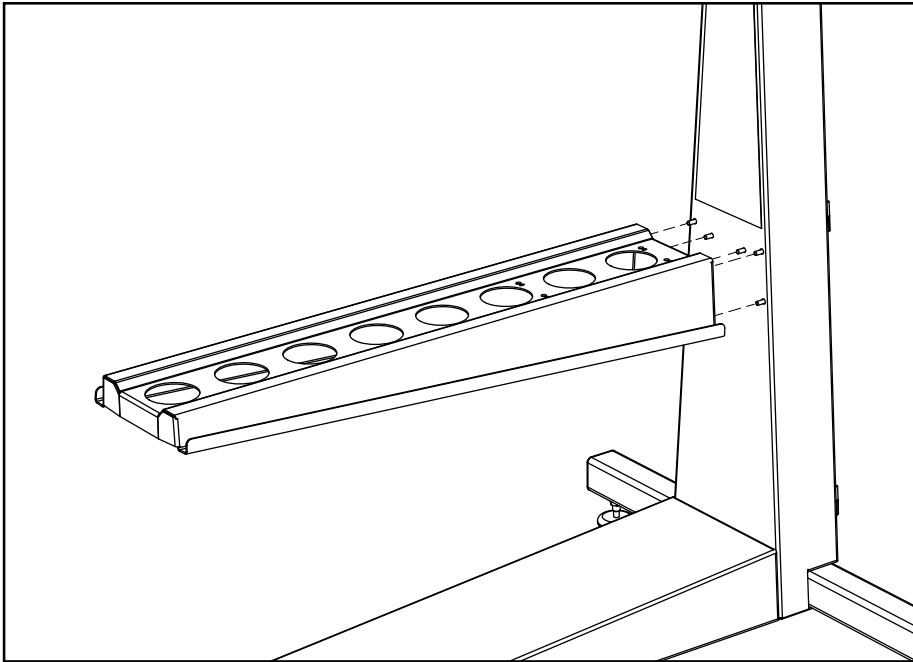


With the weight latch engaged, manually support the weights (position A), remove the pins and lower the weights, taking care to avoid pinch points. Support the remaining (Aero 900) weight (Position A), disengage the weight latch and lower the Aero 900 weight. Avoid pinch points within the weight path!

FLEXCO

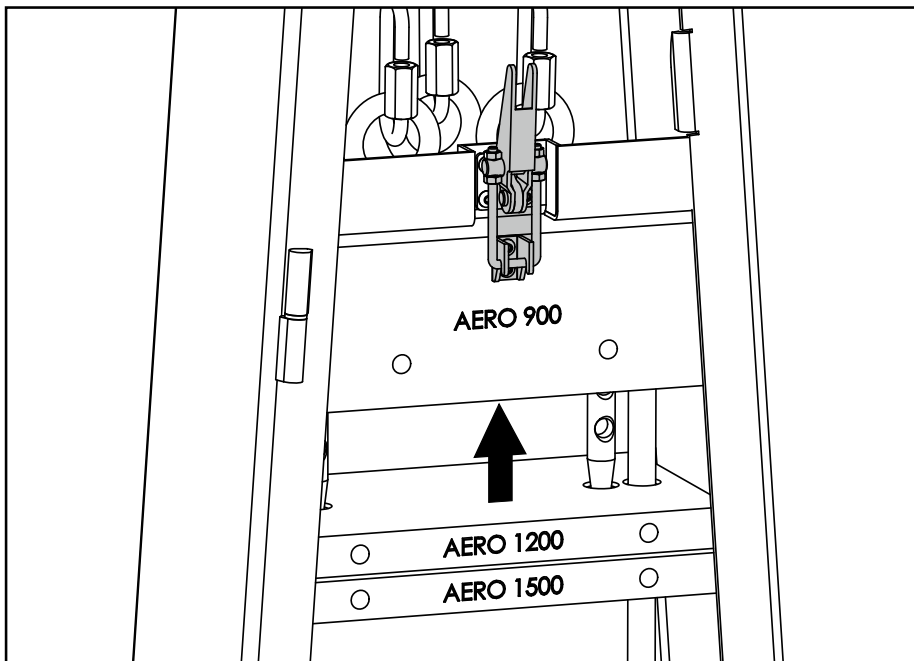
Aero Stand Assembly

A7



Using six M8 × 20 mm screws (item # 7.3) assemble cradle (item # 4) to column assembly (item # 1) **Note:** Install all screws initially loose, tightening after all are installed.

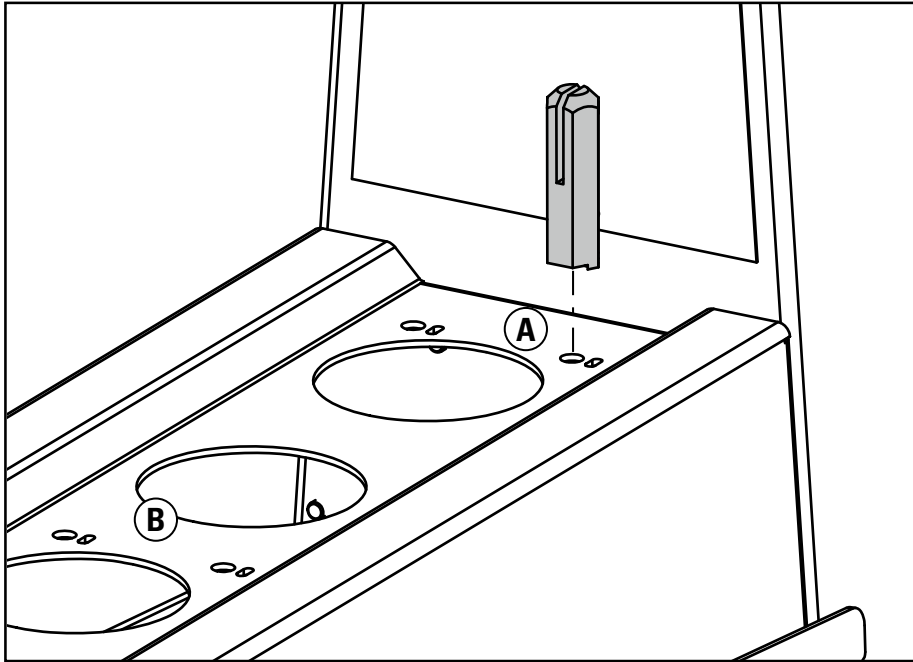
A8



Raise the Aero 900 weight and engage the weight latch. Raise the Aero 1200 and 1500 weights and secure them in the uppermost position with the pins. Avoid pinch points within the weight path!

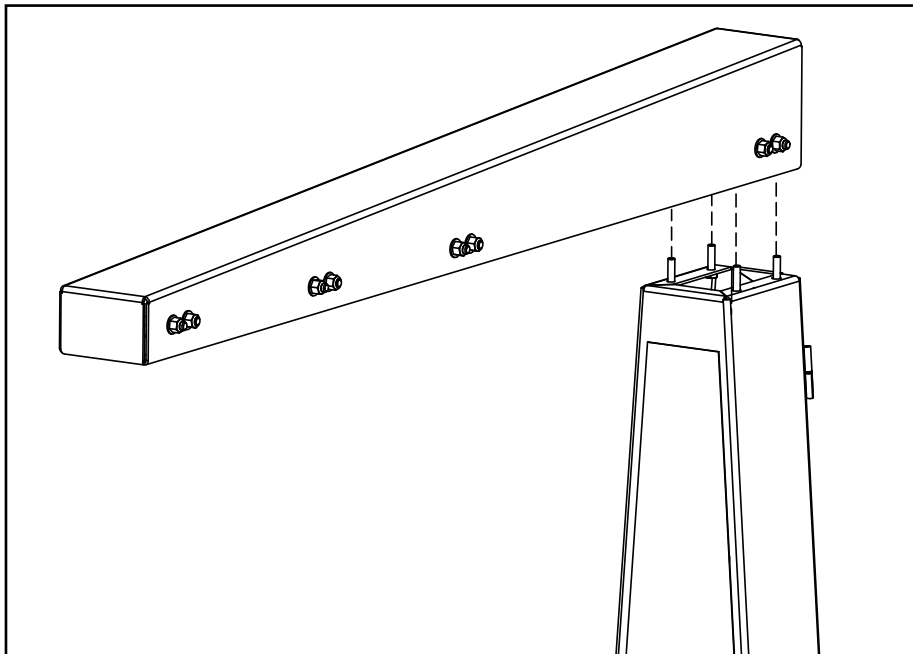
Aero Stand Assembly

A9



Install locating post (item # 7.13) into cradle (item # 4) using one M10 × 20 mm screw (item # 7.12), inserted from below. Position A for Aero 1200 and 1500. Position B for the Aero 900. Post is keyed for proper orientation.

A10



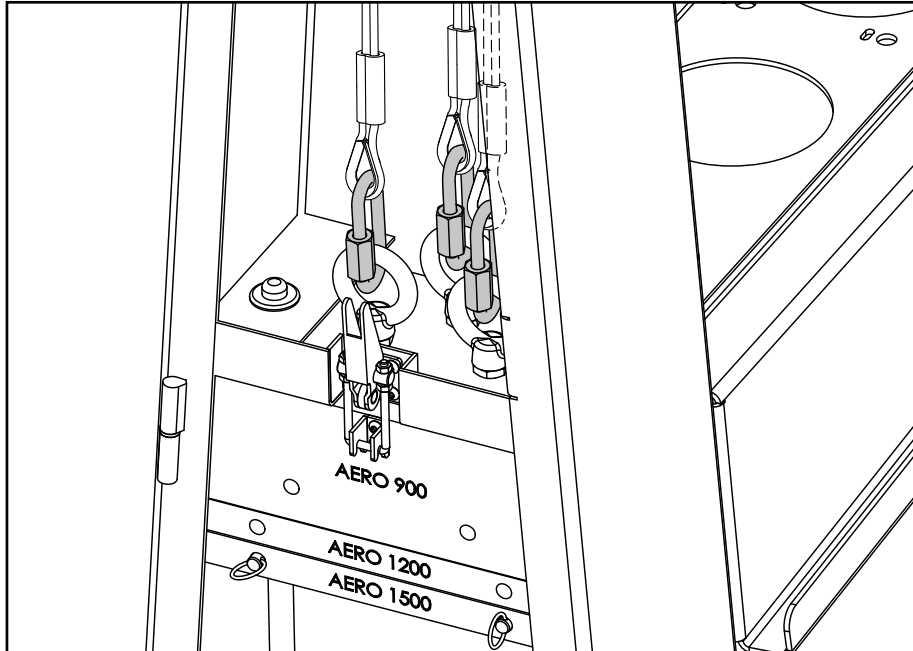
Using four M8 × 30 mm screw (item # 7.4), install top beam assembly (item # 2) to column assembly (item # 1). **Note:** Install all screws initially loose, tightening after all are installed.

FLEXCO

Aero Stand Assembly

A11

Cut the plastic ties that are holding the three cables looped and hanging from the top beam assembly. Inside the column assembly, ensure that the weights are secured with the weight latch.



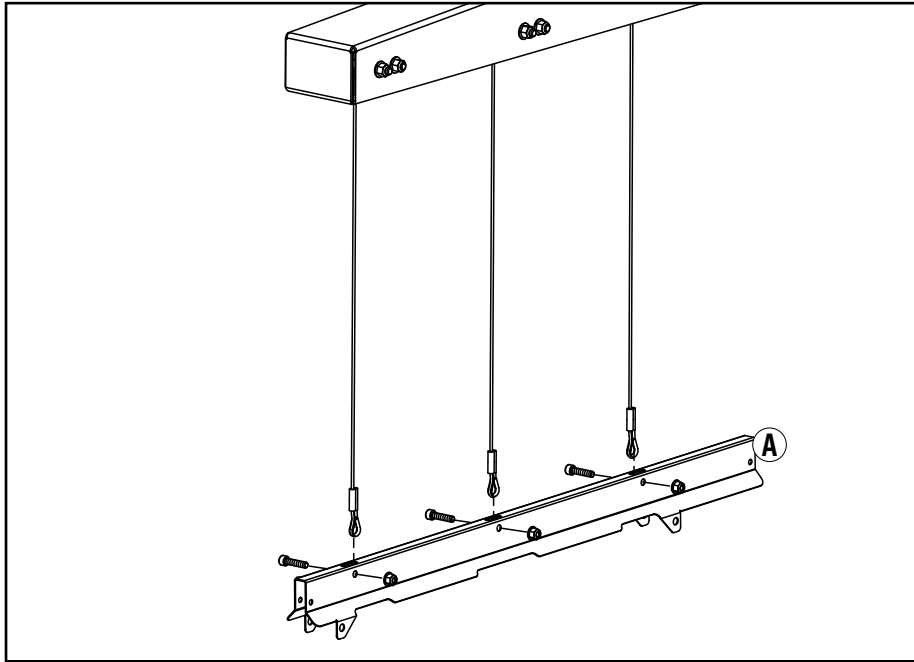
Follow the cables from the pulley located in the top beam from the back side of the Aero Stand assembly for proper positioning. Fix the cables to the weight system using the provided quick link clevises.

The cable that runs through the center groove of the pulley should be fastened to the center clevis, the cable in the left groove in the left clevis, and the right groove to the right clevis. Take care not to cut, kink, or twist cables. After the cables are installed, ensure that the quick link nuts are secured to close the link.

Cut zip ties that are fastened to the three cables in the top beam assembly, allowing them to hang freely.

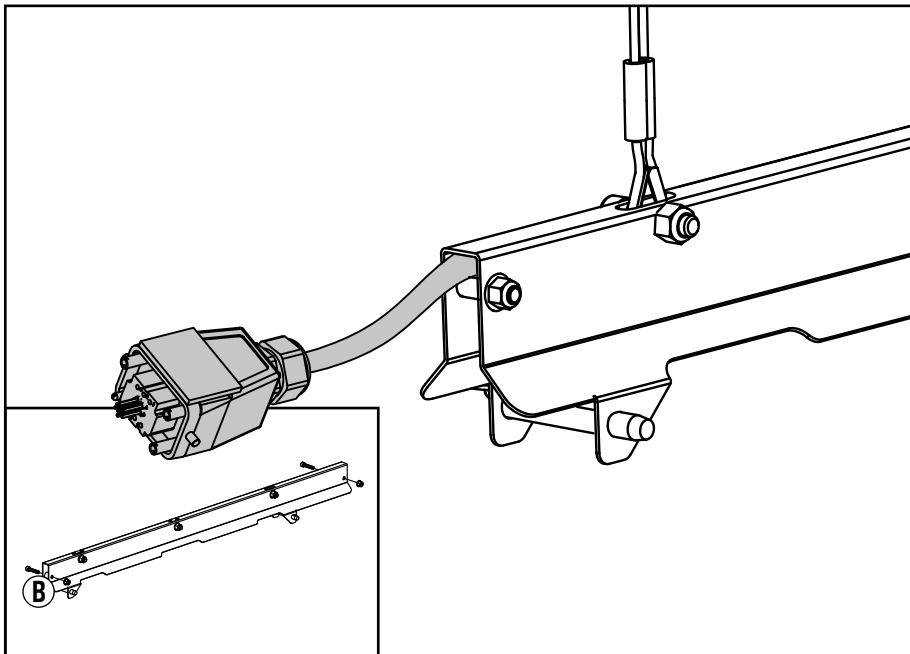
Aero Stand Assembly

A12



With longer extension (A) towards the column assembly, install lifting interface (item #5) to the three cables hanging from the top beam assembly using three M8 × 35 mm screws (item # 7.8) and three M8 nuts (item # 7.11).

A13

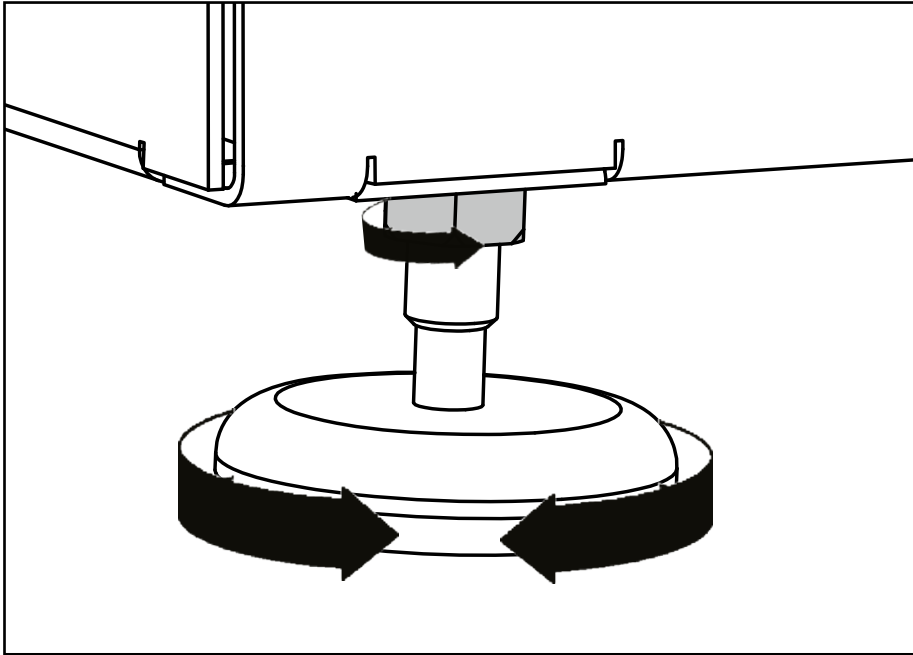


With Aero Stand 08114, use two M6 × 30 mm screws (item # 7.7), two M6 nuts (item # 7.9), and two 6 mm spacers (item # 7.10) to secure the umbilical cable extension (item # 08319) into the lifting interface, with non-latch connector extending from end B.

FLEXCO

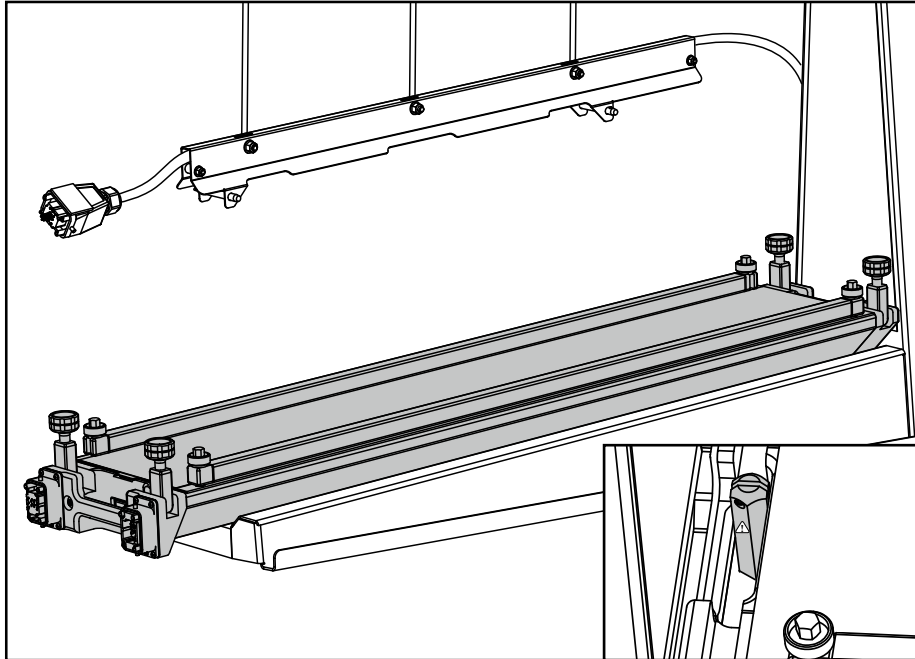
Aero Stand Assembly

A14

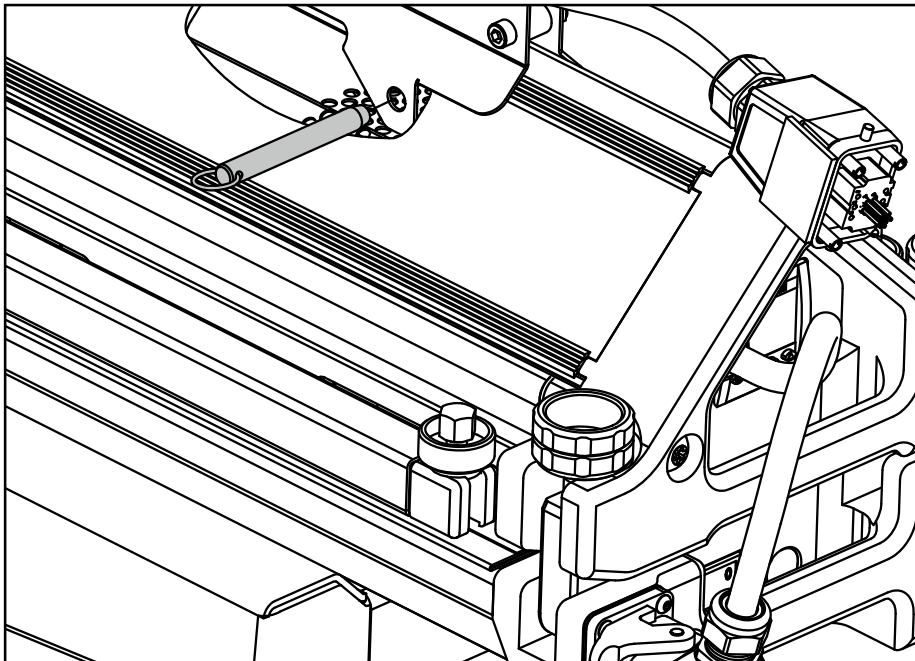


With the Aero Stand located for operation, rotate the leveling feet as necessary to be sure that the stand is level. Assure that the leveling feet shafts remains fully engaged through the frame. Tighten all leveling feet jam nuts to the frame.

Installing the Aero Press into the Aero Press Stand

B1

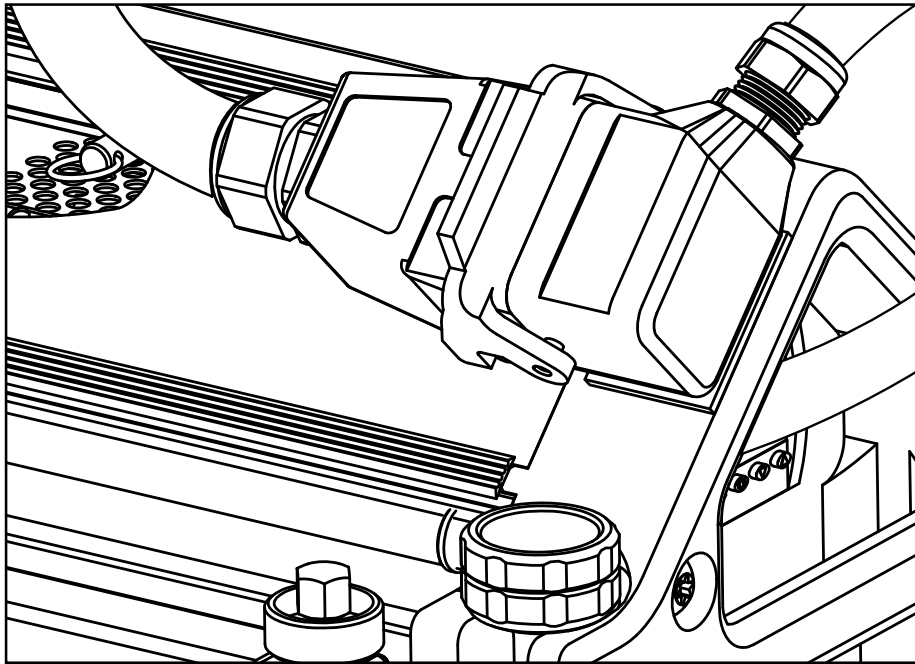
Place the lower beam of the Aero Press in the support cradle, with the locating post extending up through press handle opposite the control end. Avoid pinch point where locating post interfaces with the press.

B2

Load the upper beam of the Aero Press onto the lower beam. Use the detent pins (item #7.2) to connect the lifting interface to the top of the Aero Press upper beam. Ensure the press is centered under the lifting cables.

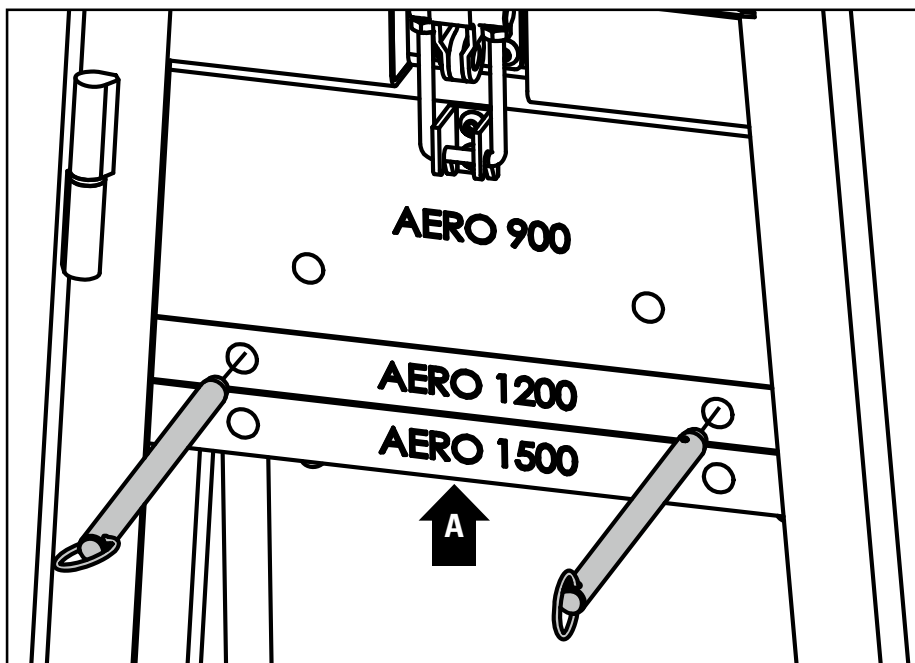
Installing the Aero Press into the Aero Press Stand

B3



If using umbilical cable extension, secure the upper beam connectors to the top of the Aero Press with Velcro fastening strip.

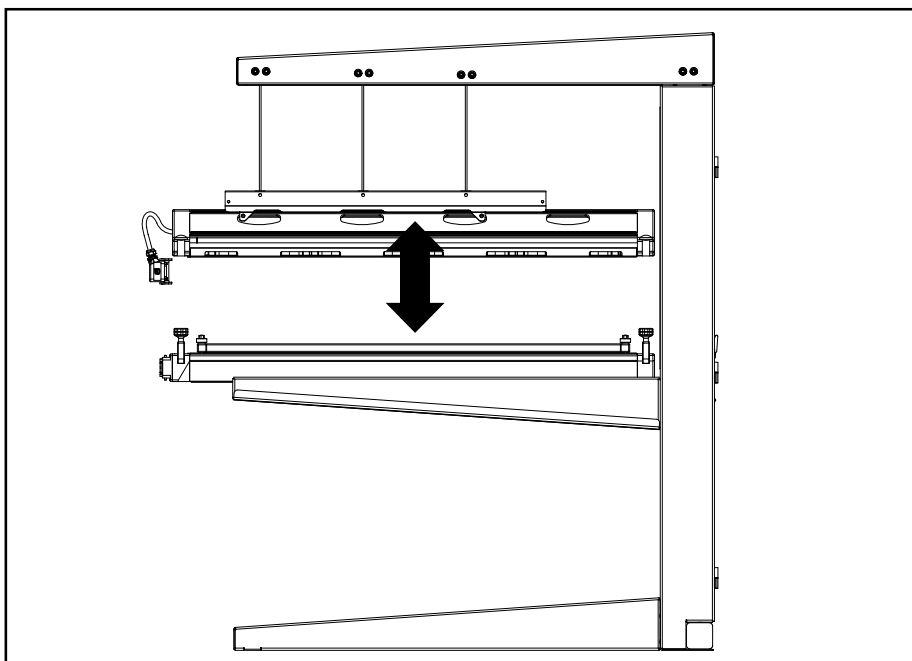
B4



With an Aero 900 or 1200 loaded into the stand, ensure weight latch is engaged and support counterweights (position A) labeled AERO 1500 and 1200. Remove the pins from the Aero 1500 counterweight and install them into the counterweight corresponding with the Aero Press in the stand. Ensure both weight pins are completely engaged. Avoid pinch points within the weight path!

Operation of the Aero Press Stand

C1

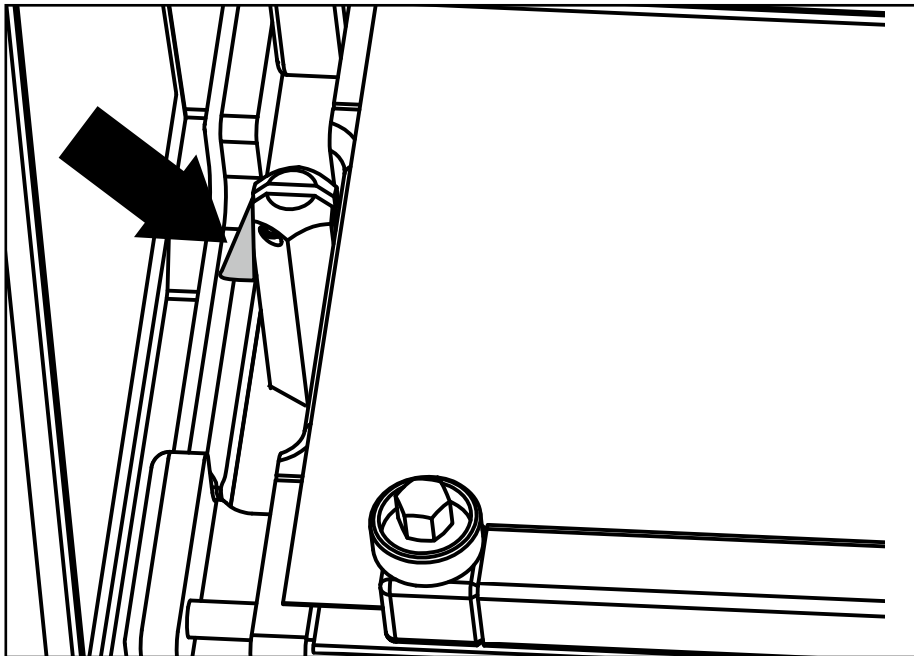


With the Aero Press upper and lower beams disconnected from each other, manually raise and lower the upper beam as needed for your splicing process.

Removing the Aero Press from the Aero Stand

D1

- Turn off the electrical power supply to the Aero Press
- Disconnect power and umbilical cables
- Open the vertical column door and use the latch to lock the active weights in the uppermost position
- If an umbilical cable extension is integrated into the interface, detach the cable end that is fastened to the upper beam with Velcro
- With the weights locked in the uppermost position, remove detent pins connecting the lifting interface to the upper beam of the Aero Press
- Unfasten the upper press beam from the lower beam and remove from the stand



- Push down on the locating post latch, simultaneously lifting the lower beam of the Aero Press from the Aero Stand cradle. Avoid pinch points!

Warranty

E1

Warranty provided is limited to defects in materials and workmanship.

The warranty has a maturity of one year from the date of delivery. In this period, the necessary parts will be made available free of charge. Any further warranty claims, damages, or consequential damages are excluded.

The above warranty shall apply exclusively and only under the following conditions:

- An expert according to the conditions and standards of the competent authorities must install the appliance.
- Any warranty claims are forfeited when performing repairs, modifications or adaptations, and/or assembling unapproved components without the prior consent of Flexco. In addition, any warranty claims are forfeited when installed by way of deviation from the national and local regulations.
- Claims during the warranty period provide no extension of the warranty period.

Unit 7 Kingsmark Freeway • Oakenshaw • Bradford, BD12 7HW • United Kingdom
Tel: +44-1274-600-942 • Fax: +44-1274-673-644 • Email: sales@flexco.co.uk

Visit www.flexco.com for other Flexco locations and products.

©2012 Flexible Steel Lacing Company. 12-13. For reorder: X3154

