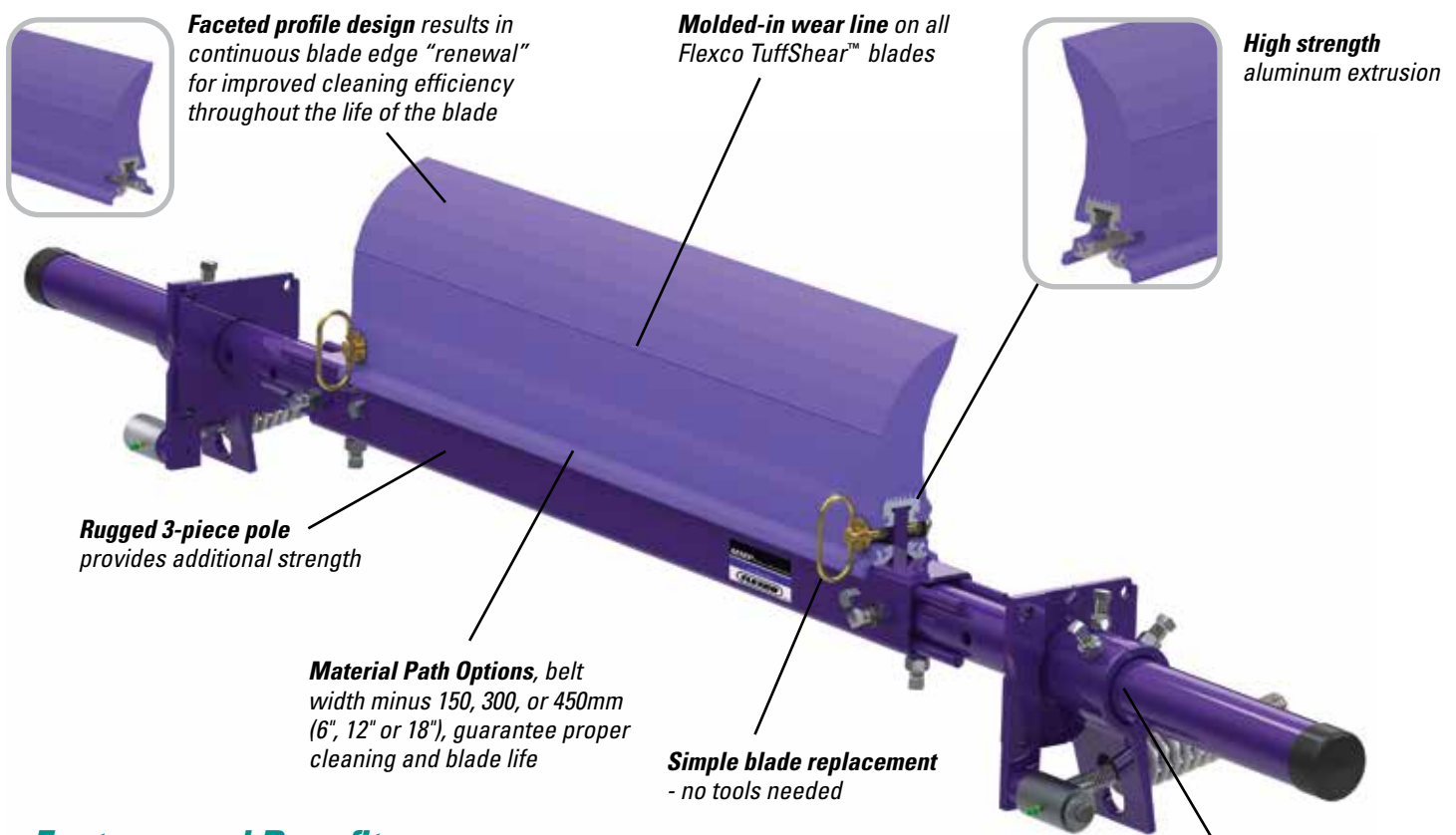


MMP

Medium-Duty Precleaner

Extra Cleaning Power for Tough Jobs

The MMP Medium-Duty Precleaner tackles those tough applications where the standard-duty precleaner is not sturdy enough but the heavy-duty cleaner is overkill. The MMP is built tough with a heavy-duty pole, a larger, powerful blade and a beefy dual tensioning system. Yet installation is simple, maintenance is quick, and bottom line—the cleaning job is excellent.



Features and Benefits

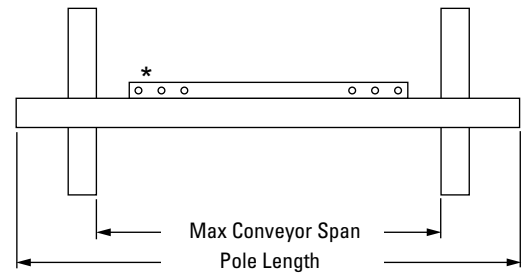
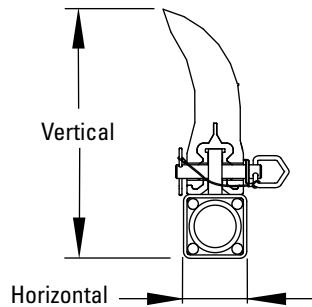
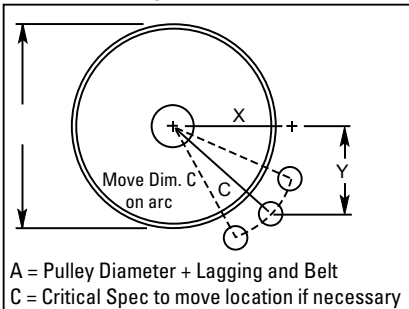
- **Compact and versatile.** Requires only 100mm (4") of horizontal clearance for installation. Pole length is belt width plus 1350mm (54") to fit varying conveyor or chute wall widths. Pole extenders are available for extended length requirements.
- **Works with Flexco and other mechanical splices.** The spring tensioner quickly moves the blade away from the belt when a splice passes. The polyurethane blade easily glides over the splice without damage and with minimal cleaning disruption.
- **Made for mining conveyors.** Made from heavy-duty steel with corrosion-resistant powder coating, the MMP is available for belt widths from 600 to 2100mm (24" to 84"). Special sizes are available upon request.
- **Complete cleaning system.** When teamed with our MHS Secondary Cleaner, it makes up a system that delivers maximum cleaning power. If extra water is present, the MDWS DryWipe can be added.

MMP Medium-Duty Precleaner

Specifications and Guidelines

- Maximum Belt Speed**
5M/Sec (1000 FPM)
- Temperature Rating**
-35°C to 82°C (-30°F to 180°F)
- Minimum Pulley Diameter**
400mm (16")
- Blade Height**
250mm (10")
- Usable Blade Wear Length**
150mm (6")
- Blade Material**
Polyurethane 83 durometer (proprietary blend for abrasion resistance and long wear)
- Available for Belt Widths**
600 to 2100mm (24" to 84")
- Horizontal Clearance Required**
100mm (4")
- Vertical Clearance Required**
325mm (13")
- Pole Length**
Cleaner size + 1350mm (54")
- Maximum Conveyor Span**
Cleaner size + 1050mm (42")

Pole Location Specs



Pole Location Chart

| A | X | Y | C | A | X | Y | C | A | X | Y | C |
|-----|-----|-----|-----|-----|-----|-----|-----|------|-----|-----|-----|
| 400 | 206 | 305 | 368 | 675 | 359 | 305 | 470 | 950 | 502 | 305 | 587 |
| 425 | 222 | 305 | 378 | 700 | 371 | 305 | 479 | 975 | 518 | 305 | 600 |
| 450 | 235 | 305 | 384 | 725 | 387 | 305 | 492 | 1000 | 527 | 305 | 610 |
| 475 | 248 | 305 | 394 | 750 | 397 | 305 | 502 | 1025 | 543 | 305 | 622 |
| 500 | 264 | 305 | 403 | 775 | 410 | 305 | 511 | 1050 | 552 | 305 | 632 |
| 525 | 279 | 305 | 413 | 800 | 425 | 305 | 524 | 1075 | 568 | 305 | 645 |
| 550 | 292 | 305 | 422 | 825 | 438 | 305 | 533 | 1100 | 578 | 305 | 654 |
| 575 | 305 | 305 | 432 | 850 | 451 | 305 | 543 | 1125 | 594 | 305 | 667 |
| 600 | 321 | 305 | 441 | 875 | 464 | 305 | 556 | 1150 | 606 | 305 | 679 |
| 625 | 333 | 305 | 451 | 900 | 476 | 305 | 565 | 1175 | 619 | 305 | 689 |
| 650 | 346 | 305 | 460 | 925 | 492 | 305 | 578 | 1200 | 632 | 305 | 702 |

Ordering Information

| MMP Precleaner - Belt Width Minus 150mm (6") | | | | | |
|--|-----|-------------|-----|-----------------|-----------|
| Belt Width | | Blade Width | | Ordering Number | Item Code |
| mm | in. | mm | in. | | |
| 600 | 24 | 450 | 18 | MMP-624 | 81137 |
| 750 | 30 | 600 | 24 | MMP-630 | 81138 |
| 900 | 36 | 750 | 30 | MMP-636 | 81139 |
| 1050 | 42 | 900 | 36 | MMP-642 | 81140 |
| 1200 | 48 | 1050 | 42 | MMP-648 | 81141 |
| 1350 | 54 | 1200 | 48 | MMP-654 | 81142 |
| 1500 | 60 | 1350 | 54 | MMP-660 | 81143 |
| 1800 | 72 | 1650 | 66 | MMP-672 | 81144 |
| 2100 | 84 | 1950 | 78 | MMP-684 | 81145 |

| MMP Precleaner - Belt Width Minus 300mm (12") | | | | | |
|---|-----|-------------|-----|-----------------|-----------|
| Belt Width | | Blade Width | | Ordering Number | Item Code |
| mm | in. | mm | in. | | |
| 750 | 30 | 450 | 18 | MMP-1230 | 81146 |
| 900 | 36 | 600 | 24 | MMP-1236 | 81147 |
| 1050 | 42 | 750 | 30 | MMP-1242 | 81148 |
| 1200 | 48 | 900 | 36 | MMP-1248 | 81149 |
| 1350 | 54 | 1050 | 42 | MMP-1254 | 81150 |
| 1500 | 60 | 1200 | 48 | MMP-1260 | 81151 |
| 1800 | 72 | 1500 | 60 | MMP-1272 | 81152 |
| 2100 | 84 | 1800 | 72 | MMP-1284 | 81153 |

| TuffShear™ Replacement Blades | | | |
|-------------------------------|-----|-----------------|-----------|
| Blade Width | | Ordering Number | Item Code |
| mm | in. | | |
| 450 | 18 | TRB18 | 76485 |
| 600 | 24 | TRB24 | 76486 |
| 750 | 30 | TRB30 | 76487 |
| 900 | 36 | TRB36 | 76488 |
| 1050 | 42 | TRB42 | 76489 |
| 1200 | 48 | TRB48 | 76490 |
| 1350 | 54 | TRB54 | 76491 |
| 1500 | 60 | TRB60 | 76492 |
| 1650 | 66 | TRB66 | 76493 |
| 1800 | 72 | TRB72 | 76494 |
| 1950 | 78 | TRB78 | 76697 |

Other blade sizes available upon request.

Authorized Distributor:

New Door No. 51 • Anna Salai, Nagalkeni • Pammal Village • Chennai - 600 044 • Tamil Nadu • India
Tel: +91-44-4856-6762 • E-mail: info.india@flexco.com

Visit www.flexco.com for other Flexco locations and products.

©2020 Flexible Steel Lacing Company. 02-04-20. X2944

