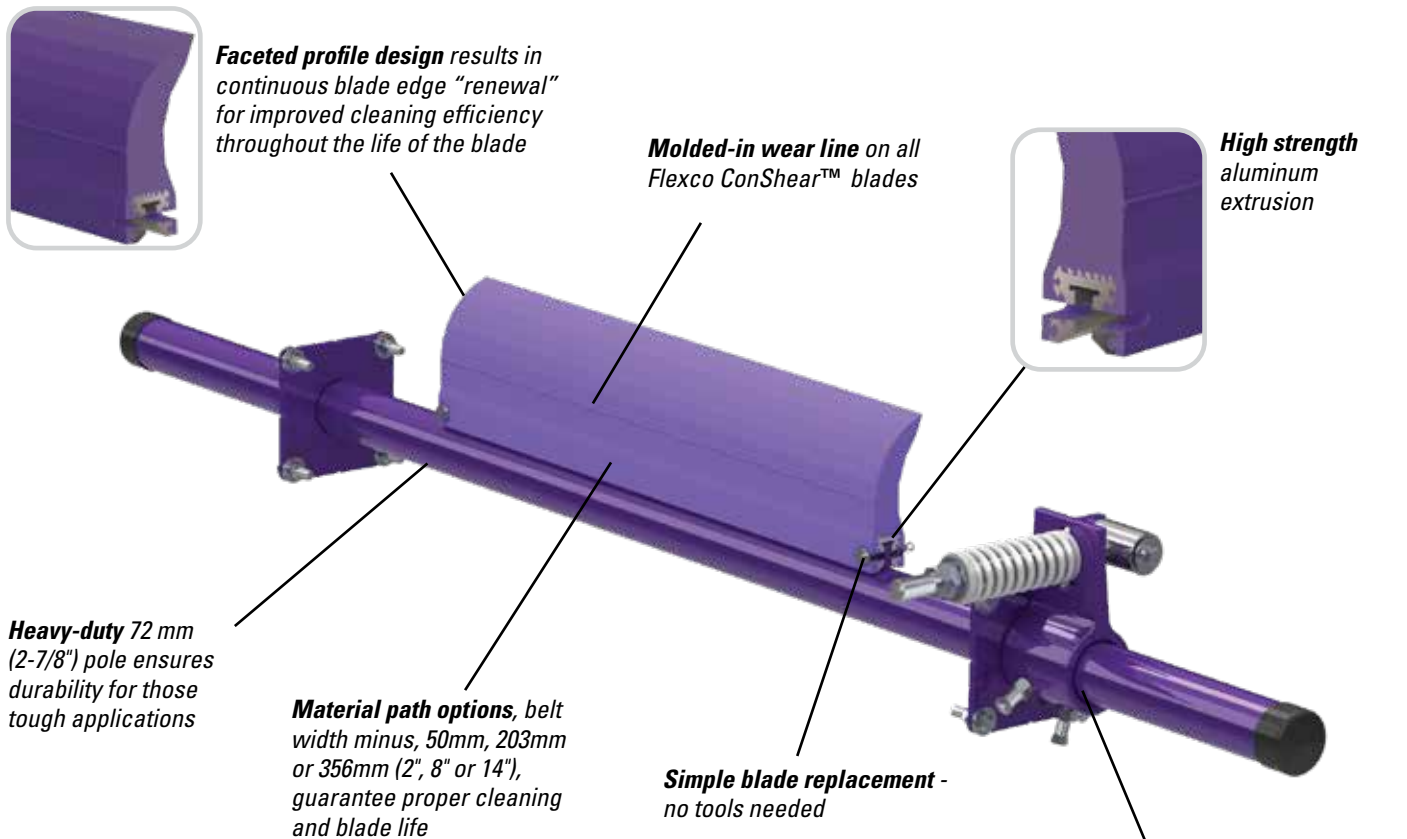


MSP

Standard Mine-Duty Precleaner

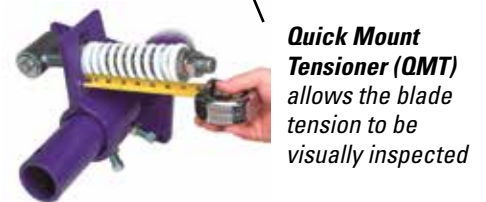
Economical and Effective

The MSP Standard-Duty Precleaner is not your average solid-blade belt cleaner that mounts on the head pulley. It is a mine-tough design that combines simple, do-it-yourself installation, quick maintenance and effective cleaning results with an affordable price tag.



Features and Benefits

- **Quick-change blade.** No tools are needed. Just pull one pin, remove the old blade, slide in the new one and replace the pin.
- **Works with Flexco and other mechanical splices.** The spring tensioner quickly moves the blade away from the belt when a splice passes. The polyurethane blade easily glides over the splice without damage and with minimal cleaning disruption.
- **Easy to service.** All maintenance work is done from the easy-access side of the beltline. Blade retensioning and change-out are quick and easy.
- **Fits most conveyor structures.** Available for belt widths from 600 to 2100mm (24" to 84"). The MSP poles are extra long (belt width plus 1350mm/54") to accommodate varying structure widths.



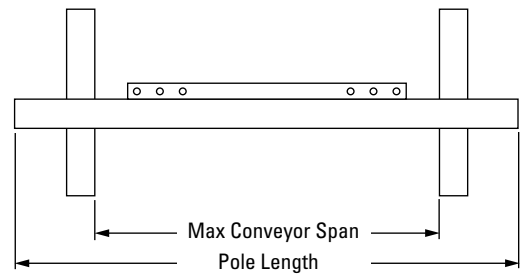
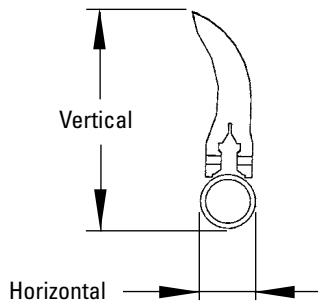
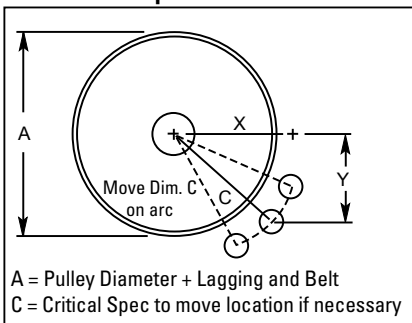
MSP

Standard Mine-Duty Precleaner

Specifications and Guidelines

- **Maximum Belt Speed**
700 FPM (3.5 m/s)
- **Temperature Rating**
-30°F to 180°F (-35°C to 82°C)
- **Minimum Pulley Diameter**
16" (400mm)
- **Blade Height**
7-1/4" (185mm)
- **Usable Blade Wear Length**
4" (100mm)
- **Blade Material**
Urethane 83 durometer (proprietary blend for abrasion resistance and long wear)
- **Available for Belt Widths**
24" to 84" (600 to 2100mm)
- **Horizontal Clearance Required**
4" (100mm)
- **Vertical Clearance Required**
10" (254mm)
- **Pole Length**
Cleaner size + 54" (1350mm)
- **Maximum Conveyor Span**
Cleaner size + 44" (1100mm)

Pole Location Specs



Pole Location Chart

A	X	Y	C	A	X	Y	C	A	X	Y	C
400	204	305	367	625	314	230	390	850	446	230	501
425	218	305	375	650	330	230	402	875	460	230	514
450	231	305	383	675	346	230	415	900	474	230	526
475	244	305	390	700	360	230	427	925	488	230	539
500	259	305	400	725	374	230	439	950	502	230	552
525	274	305	410	775	389	230	452	975	516	230	565
550	288	305	419	775	403	230	464	1000	529	230	576
575	300	305	428	825	417	230	477	1025	542	230	589
600	315	305	438	825	432	230	489	1050	557	230	602

Ordering Information

MSP Standard-Duty Precleaner
Belt Width Minus 2" (50mm)

Belt Width	Blade Width	Ordering Number	Item Code
in.	mm		
24	600	MSP600-50	81000
30	750	MSP750-50	81001
36	900	MSP900-50	81002
42	1050	MSP1050-50	81003
48	1200	MSP1200-50	81004
54	1350	MSP1350-50	81005
60	1500	MSP1500-50	81006
72	1800	MSP1800-50	81007
84	2100	MSP2100-50	81008

MSP Standard-Duty Precleaner
Belt Width Minus 8" (200mm)

Belt Width	Blade Width	Ordering Number	Item Code
in.	mm		
24	600	MSP-600-200	81009
30	750	MSP750-200	81010
36	900	MSP900-200	81011
42	1050	MSP1050-200	81012
48	1200	MSP1200-200	81013
54	1350	MSP1350-200	81014
60	1500	MSP1500-200	81015
72	1800	MSP1800-200	81016
84	2100	MSP2100-200	81017

Replacement ConShear™ Blades

Blade Width	Ordering Number	Item Code	
in.	mm		
10	250	CRB 250	76582
16	400	CRB 400	76583
22	550	CRB 550	76584
28	700	CRB 700	76585
34	850	CRB 850	76586
40	1000	CRB 1000	76587
46	1150	CRB 1150	76588
52	1300	CRB 1300	76589
58	1450	CRB 1450	76590
64	1600	CRB 1600	76591

Other blade sizes available upon request.

Authorized Distributor:

New Door No. 51 • Anna Salai, Nagalkeni • Pammal Village • Chennai - 600 044 • Tamil Nadu • India
Tel: +91-44-6551-7771 • E-mail: info.india@flexco.com

Visit www.flexco.com for other Flexco locations and products.

©2020 Flexible Steel Lacing Company. 02/05/20. For reorder: X2939

