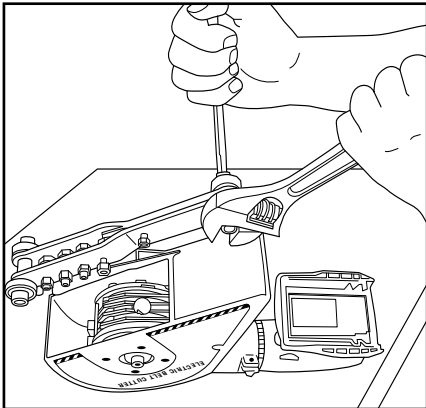
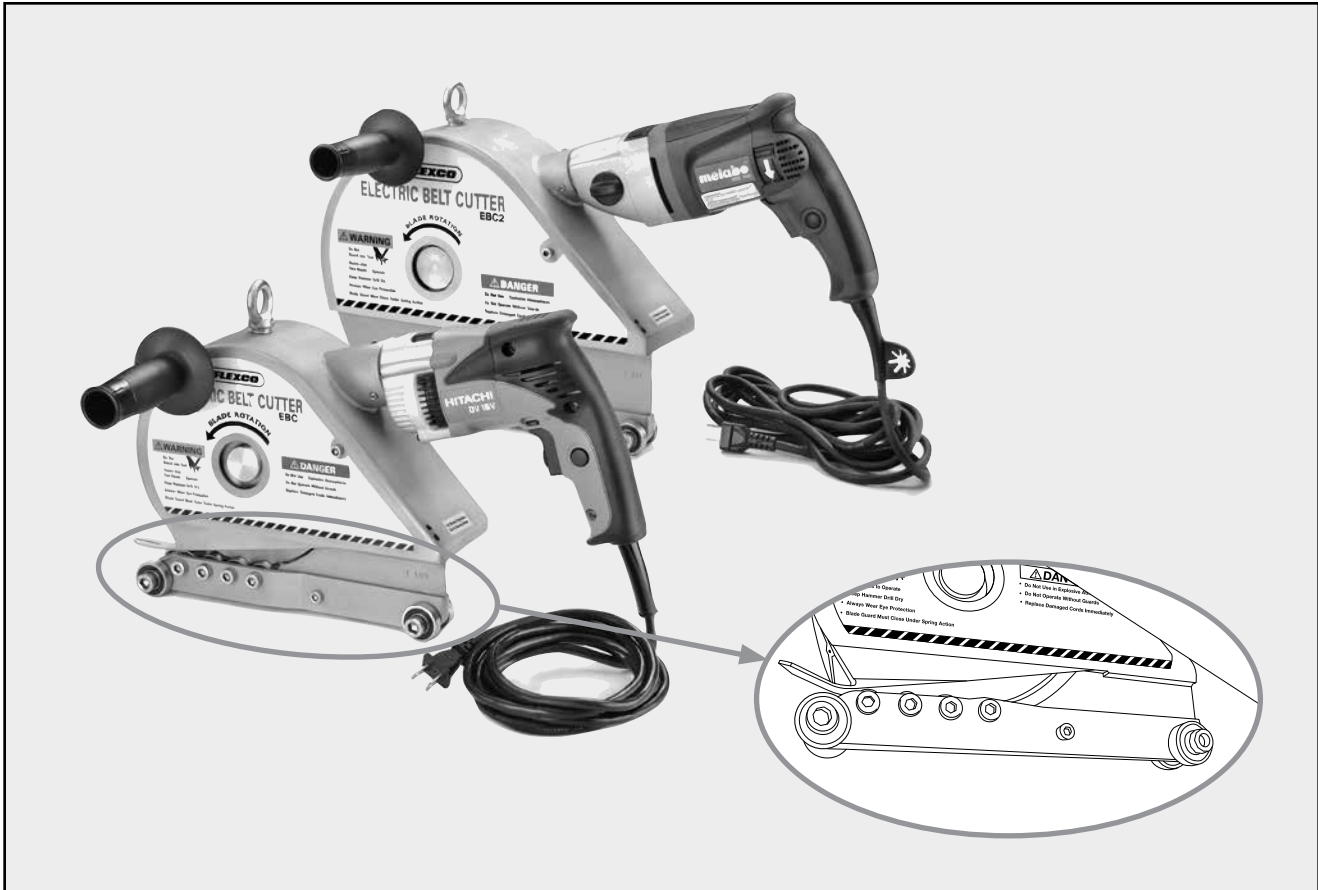
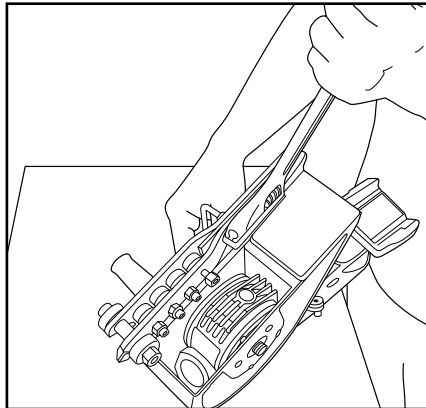


# Electric Belt Cutter

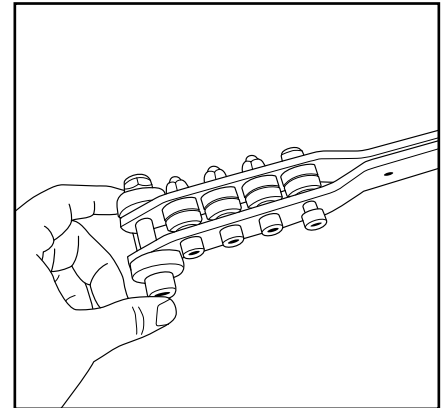
## Bearing Replacement Instructions



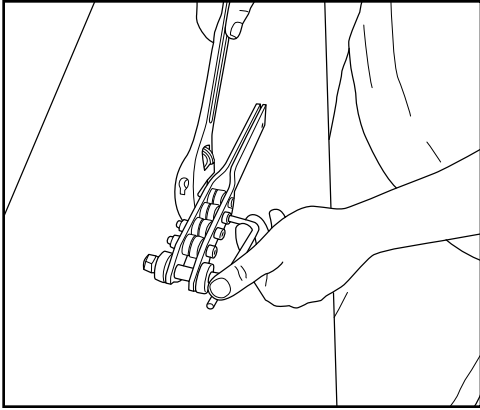
1. Remove rear bearing using m8 Allen wrench and adjustable crescent wrench.



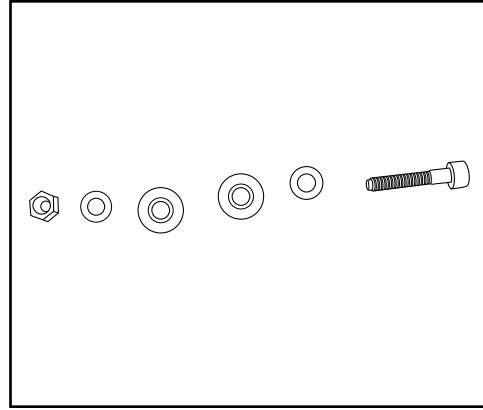
2. Remove positioning bolt using m5 Allen wrench and adjustable crescent wrench.



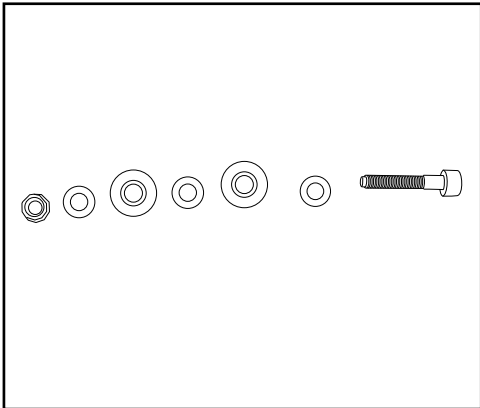
3. Remove front guide from cutter. Safely store EBC to protect from exposed blade.



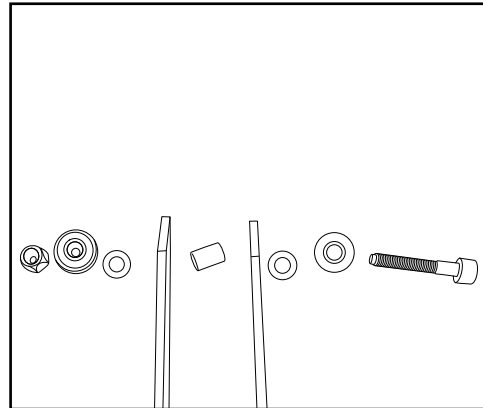
4. Remove smaller guide bearings using m6 Allen wrench and adjustable crescent wrench.



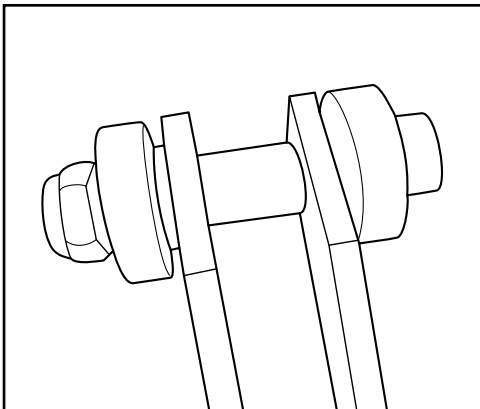
5. Rear 2 rows of bearings have 2 washers on outside of bearings.



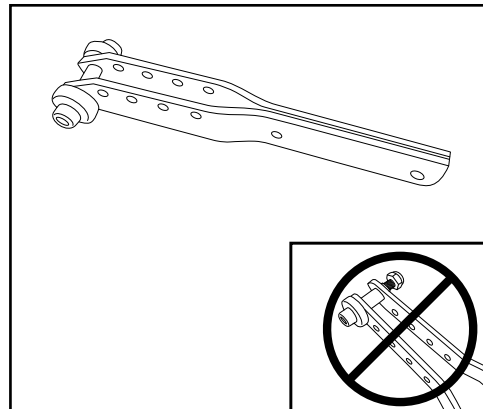
6. Front 2 rows of bearings have 3 washers, 1 between the bearings.



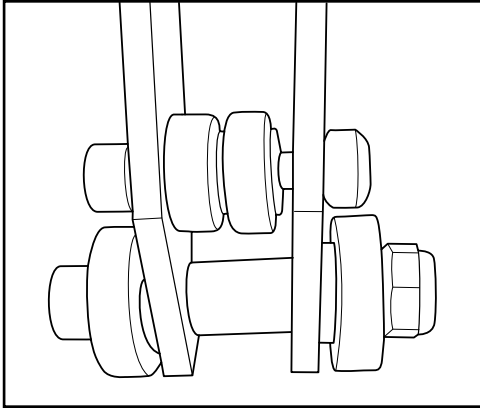
7. Remove front bearing using m8 Allen wrench and adjustable crescent wrench.



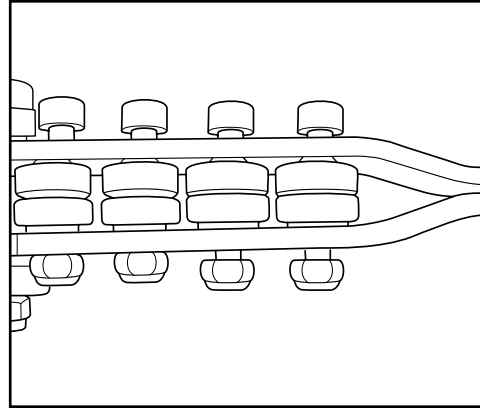
8. Reassemble front bearing. Washers should be between bearings and guide plates.



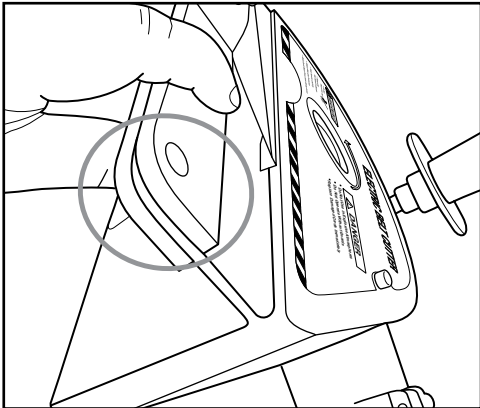
9. Align plates correctly.



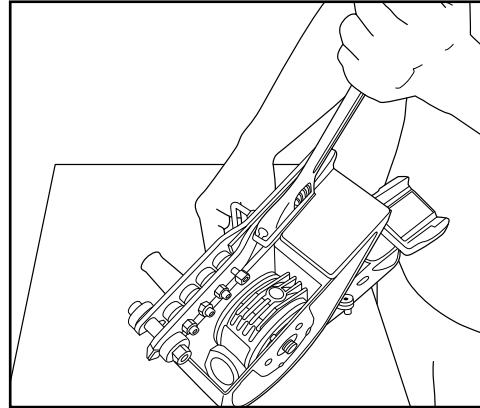
10. Reassemble guide bearings in same order as removed.



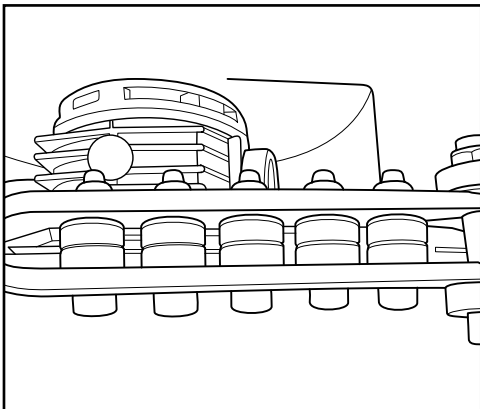
11. Washers should be between bearings and guide plates.



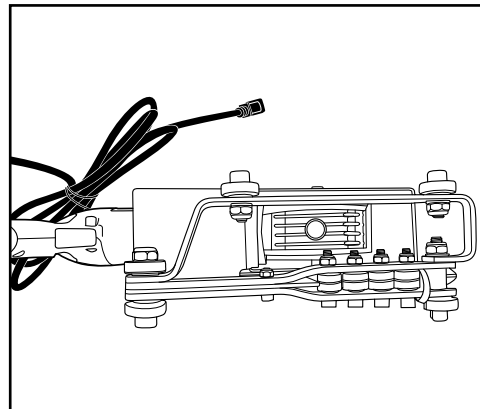
12. Reassemble rear bearing. Make sure rounded section of guide matches rounded fence on cutter.



13. Reassemble positioning bolt. Torque each bolt to 30 ft-lbs (40 N-m) of torque.



**Note:** On the EBC2 there are 5 rows of smaller guide bearings. Front 3 rows have washers between bearings. Positioning bolt is larger, use m6 Allen wrench instead of m5 Allen wrench.



**Note:** On tools assembled with the expanded guide system there is one additional rear bearing.



2525 Wisconsin Avenue • Downers Grove, IL 60515-4200 • USA  
Telephone: (630) 971-0150 • Fax: (630) 971-1180 • E-mail: [info@flexco.com](mailto:info@flexco.com)

Visit [www.flexco.com](http://www.flexco.com) for other Flexco locations and products.

©2015 Flexible Steel Lacing Company. Flexco® are registered trademarks. 04-22-20. For Reorder: X2897

