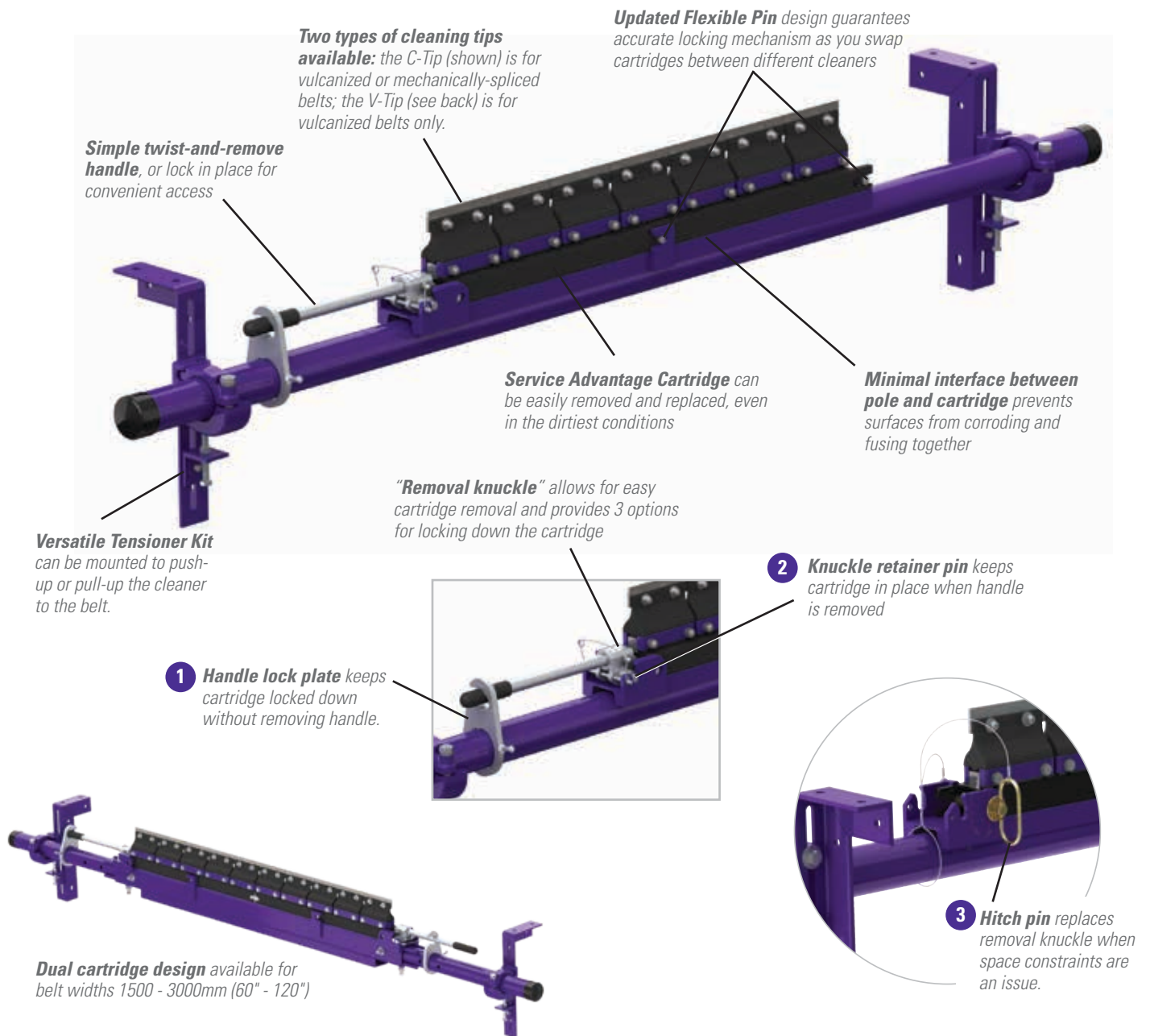


# R-TYPE® Enhanced Service Advantage Cartridge HD Secondary Belt Cleaner

## Reversing Cleaner with Improved Serviceability

The R-Type® ESAC combines the reversing R-Type secondary cleaner with the Enhanced Service Advantage Cartridge. Not only simple to install using the versatile tensioner kit, the R-Type ESAC is also trouble-free to service, with the easy-to-use cartridge kit. The cartridge now gives you control over maintenance with three easy-to-use removal options. The R-Type ESAC is the reliable choice for a great cleaner on reversing belts.



# R-TYPE® with Enhanced Service Advantage Cartridge Heavy-Duty Secondary Belt Cleaner

## Maximum Belt Speed

5 m/s (1000 FPM)

## Temperature Rating

-35° C to 82° C (-30° F to 180° F)

## Usable Blade Wear Length

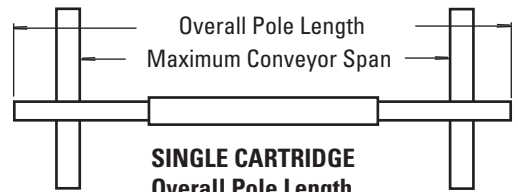
9 mm (3/8")

## Blade Material

Impact resistant, long-lasting tungsten carbide (C-Tip for mechanical fasteners, V-Tip for vulcanized belts)

## Available for Belt Widths

600 to 3000 mm (24" to 120")



## SINGLE CARTRIDGE

### Overall Pole Length

Cleaner size + 1350 mm (54")

### Maximum Conveyor Span

Cleaner size + 1050 mm (42")

## DUAL CARTRIDGE

### Overall Pole Length

Cleaner size + 1500 mm (60")

### Maximum Conveyor Span

Cleaner size + 1200 mm (48")

## Ordering Information

### RC SAC HD Secondary Cleaner C-Tips and Bolt Tensioner

Belt Width		Ordering Number	Item Code
mm	in.		
600	24	RC600-SAC	78059
750	30	RC750-SAC	78060
900	36	RC900-SAC	78061
1050	42	RC1050-SAC	78062
1200	48	RC1200-SAC	78063
1350	54	RC1350-SAC	78064
1500	60	RC1500-SAC	78065
1800	72	RC1800-SAC	78066
1500	60	RC1500-2SAC	78067
1800	72	RC1800-2SAC	78068
2100	84	RC2100-2SAC	78069
2400	96	RC2400-2SAC	78070
3000	120	RC3000-2SAC	78071

Lead time: 1 working day

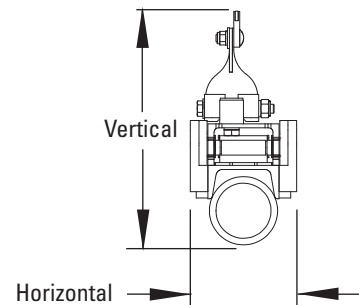
### RV SAC HD Secondary Cleaner V-Tips and Bolt Tensioner

Belt Width		Ordering Number	Item Code
mm	in.		
600	24	RV600-SAC	78033
750	30	RV750-SAC	78034
900	36	RV900-SAC	78035
1050	42	RV1050-SAC	78036
1200	48	RV1200-SAC	78037
1350	54	RV1350-SAC	78038
1500	60	RV1500-SAC	78039
1800	72	RV1800-SAC	78040
1500	60	RV1500-2SAC	78041
1800	72	RV1800-2SAC	78042
2100	84	RV2100-2SAC	78043
2400	96	RV2400-2SAC	78044
3000	120	RV3000-2SAC	78045

Lead time: 1 working day

Lead time: 15 working days

NOTE: For easy blade changeout, remove cartridge with worn blades and replace with new blade cartridge kit. New blades can then be installed in the old cartridge for the next changeout.



## Horizontal Clearance Required

4-1/2" (114 mm)

## Vertical Clearance Required

10" (254 mm) (Single Cartridge)

11-3/4" (298 mm) (Dual Cartridge)

### Blade Cartridge Kits with C-Tips (Incl. blades, cartridge, and bolts)

Belt Width		Ordering Number	Item Code
mm	in.		
600	24	R-CARK-C24/600	78098
750	30	R-CARK-C30/750	78099
900	36	R-CARK-C36/900	78100
1050	42	R-CARK-C42/1050	78101
1200	48	R-CARK-C48/1200	78102
1350	54	R-CARK-C54/1350	78103
1500	60	R-CARK-C60/1500	78104
1800	72	R-CARK-C72/1800	78105
1500	60	R-CARK2-C60/1500	78114
1800	72	R-CARK2-C72/1800	78115
2100	84	R-CARK2-C84/2100	78116
2400	96	R-CARK2-C96/2400	78117
3000	120	R-CARK2-C120/3000	78118

Lead time: 1 working day

### Blade Cartridge Kits with V-Tips (Incl. blades, cartridge, and bolts)

Belt Width		Ordering Number	Item Code
mm	in.		
600	24	R-CARK-V24/600	78106
750	30	R-CARK-V30/770	78107
900	36	R-CARK-V36/900	78108
1050	42	R-CARK-V42/1050	78109
1200	48	R-CARK-V48/1200	78110
1350	54	R-CARK-V54/1350	78111
1500	60	R-CARK-V60/1500	78112
1800	72	R-CARK-V72/1800	78113
1500	60	R-CARK2-V60/1500	78119
1800	72	R-CARK2-V72/1800	78120
2100	84	R-CARK2-V84/2100	78121
2400	96	R-CARK2-V96/2400	78122
3000	120	R-CARK2-V120/3000	78123

Lead time: 1 working day

### Replacement Tips

Ordering Number	Item Code
ICT6	74535
RSA150	73628

Lead time: 1 working day

### Tips Required per Cleaner Size

mm	in.	Tips Required
600	24	4
750	30	5
900	36	6
1050	42	7
1200	48	8
1350	54	9
1500	60	10
1800	72	12
2100	84	14
2400	96	16
3000	120	18

Authorized Distributor:

240 Macpherson Road • #02-01 • Singapore 348574  
Tel: +65-6484-1533 • Fax: +65-6484-1531 • E-mail: [asiasales@flexco.com](mailto:asiasales@flexco.com)

Visit [www.flexco.com](http://www.flexco.com) for other Flexco locations and products.

©2019 Flexible Steel Lacing Company. 07/02/19. For reorder: X2811

