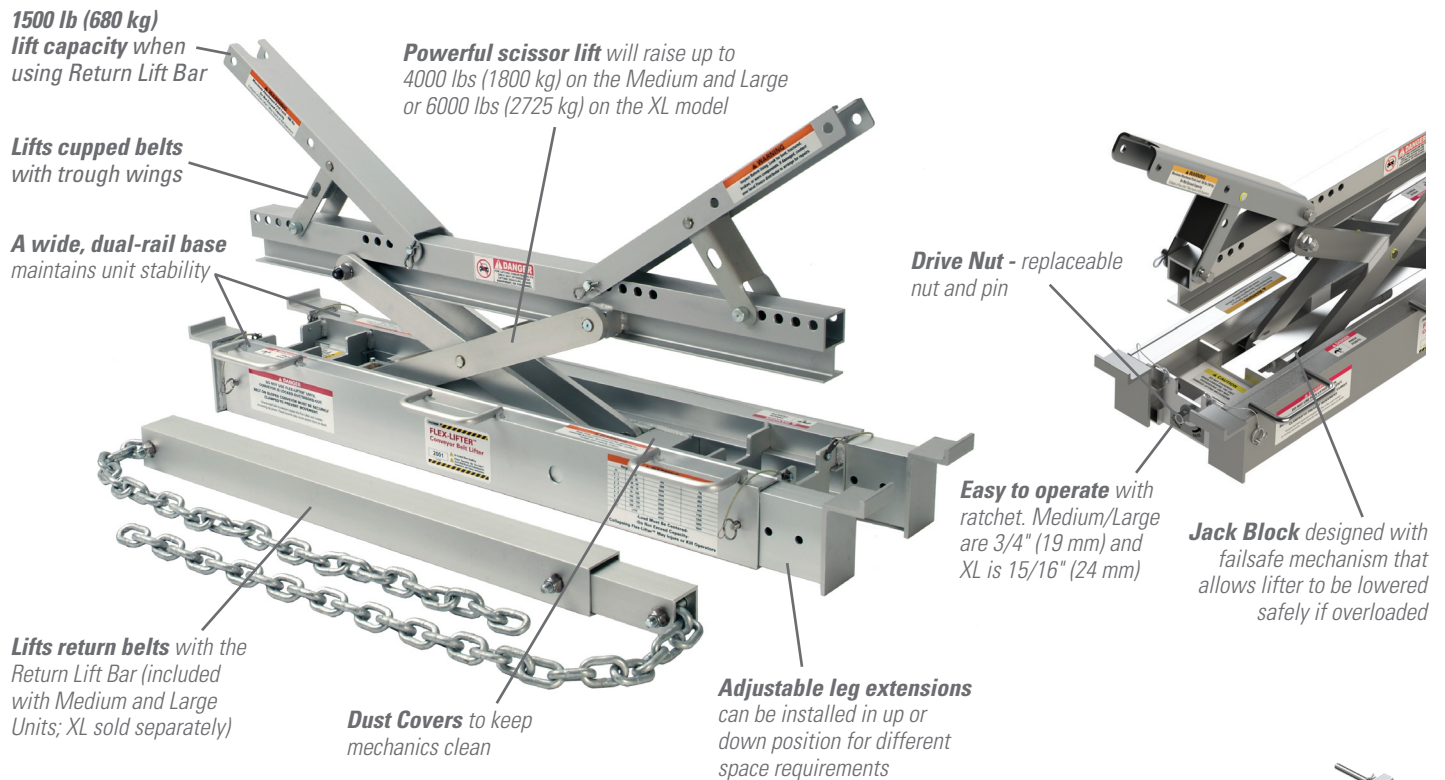


# FLEX-LIFTER™

## Conveyor Belt Lifter

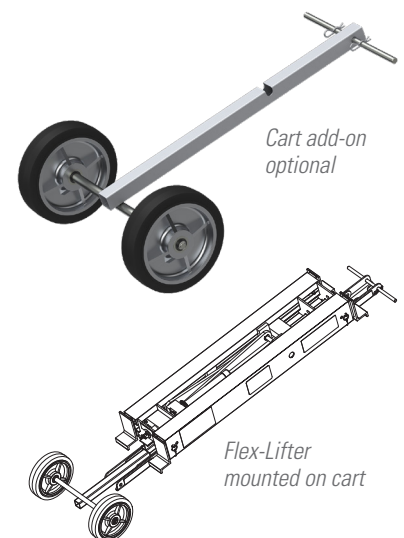
### A Tough, Versatile Beltline Tool

Lifting a tensioned conveyor belt out of the way to do maintenance work is a difficult job. It can be time-consuming and dangerous. The Flex-Lifter™ makes the job safer and easier. It takes on the toughest jobs, like lifting a belt even when it is tensioned up to the stated ratings. This tool is versatile. Adjustable wings make it easy to lift troughed or flat topside belts.



### Features and Benefits

- **Easy to use.** The Flex-Lifter™ is easily operated with a manual ratchet. And, if used with caution so as not to overdrive, the Flex-Lifter may be used with a drill motor or impact wrench.
- **Works on a range of conveyors.** The Medium model is for belt widths 36–60" (900–1500 mm), the Large model is for belt widths 48–72" (1200–1800 mm), and the XL model is for belt widths 72–96" (1800–2400 mm). Lifts flat or cupped belts with ease.
- **Safe.** Features a wide, dual-rail base and high lift capacities. Also designed to work with standard CEMA and common underground conveyor structure and idler types.
- **Transportable.** The tool can be carried to the job site and easily placed into position on the conveyor structure. Also available with cart feature for rolling the unit.
- **Won't damage the belt.** Lifts the belt from underneath. Does not clamp onto the belt's edges or cover.



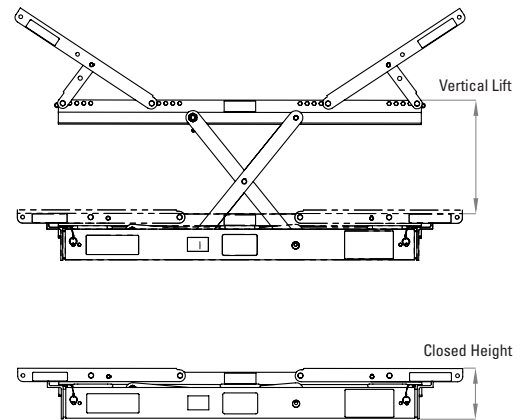
# FLEX-LIFTER™ Conveyor Belt Lifter

## Specifications and Guidelines

| Specifications           |                      |                   |                    |                   |               |                |
|--------------------------|----------------------|-------------------|--------------------|-------------------|---------------|----------------|
| Sizes                    | Belt Width Range     | Conveyor Span     |                    | Weight            | Closed Height | Vertical Lift  |
|                          |                      | Min.              | Max.               |                   |               |                |
| Medium                   | 36–60" (900–1500mm)  | 41.25" (1047.8mm) | 76.25" (1936.8mm)  | 66 lb. (29.9 kg)  | 7.25" (185mm) | 14.12" (355mm) |
| Large                    | 48–72" (1200–1800mm) | 51.25" (1301.8mm) | 86.25" (2190.8mm)  | 78 lb. (35.4 kg)  | 7.25" (185mm) | 16.25" (410mm) |
| XL                       | 72–96" (1800–2400mm) | 71.50" (1816.1mm) | 106.47" (2704.3mm) | 128 lb. (58.1 kg) | 7.75" (200mm) | 18.62" (475mm) |
| Return Lift Bar (Medium) | 36–60" (900–1500mm)  | -                 | -                  | 25 lb. (11.3 kg)  | N/A           | N/A            |
| Return Lift Bar (Large)  | 48–72" (1200–1800mm) | -                 | -                  | 50 lb. (22.6 kg)  | N/A           | N/A            |
| V-Return Lift Bar (XL)   | 72–96" (1800–2400mm) | -                 | -                  | 63 lb. (28.6 kg)  | N/A           | N/A            |

| Safe Lifting Capacity<br>(Medium and Large models) |         |             |      |
|--|---------|-------------|------|
| Height   |         | Max. Weight |      |
| in.  | mm      | lb.         | kg.  |
| 0–1  | 0–25    | 500         | 225  |
| 1–2  | 25–50   | 1000        | 450  |
| 2–3  | 50–75   | 1500        | 675  |
| 3–4  | 75–100  | 2000        | 900  |
| 4–5  | 100–125 | 2500        | 1150 |
| 5–6  | 125–150 | 3000        | 1350 |
| 6–7  | 150–175 | 3500        | 1600 |
| >7   | >175    | 4000        | 1800 |

| Safe Lifting Capacity (XL model) |         |             |      |
|----------------------------------|---------|-------------|------|
| Height                           |         | Max. Weight |      |
| in.                              | mm      | lb.         | kg.  |
| 0–1                              | 0–25    | 1100        | 500  |
| 1–2                              | 25–50   | 1800        | 815  |
| 2–3                              | 50–75   | 2500        | 1140 |
| 3–4                              | 75–100  | 3200        | 1450 |
| 4–5                              | 100–125 | 3700        | 1680 |
| 5–6                              | 125–150 | 4600        | 2090 |
| 6–7                              | 150–175 | 5300        | 2400 |
| >7                               | >175    | 6000        | 2725 |



## Ordering Information

| Flex-Lifter™ Conveyor Belt Lifter                               |                 |           |          |
|---|-----------------|-----------|----------|
| Description   | Ordering Number | Item Code | Wt. Lbs. |
| Medium Flex-Lifter™ 36–60" (900–1500mm) (incl. return bar)      | FL-M            | 76469     | 91.0     |
| Large Flex-Lifter 48–72" (1200–1800mm) (incl. return bar)       | FL-L            | 76470     | 128.0    |
| XL Flex-Lifter 72–96" (1800–2400mm) (does not incl. return bar) | FL-XL           | 76983     | 128.0    |
| Flex-Lifter Cart  | FLCK            | 77729     | 20.0     |

| Aluminum Content Flex-Lifter |              |             |
|------------------------------|--------------|-------------|
| Aluminum Alloy Type          | Percent      |             |
|                              | Mg Magnesium | Ti Titanium |
| 4043                         | 0.05%        | 0.2%        |
| 5356                         | 5.5%         | 0.2%        |
| 6005                         | 0.6%         | 0.1%        |
| 6061                         | 1.0%         | –           |
| 6063                         | 0.7%         | –           |
| 7075                         | 2.5%         | –           |



Medium/Large Flex-Lifter™



XL Flex-Lifter™

Visit [www.flexco.com](http://www.flexco.com) for other Flexco locations and products, or to find an authorized distributor.

©2015 Flexible Steel Lacing Company. 03-31-25. X2541

