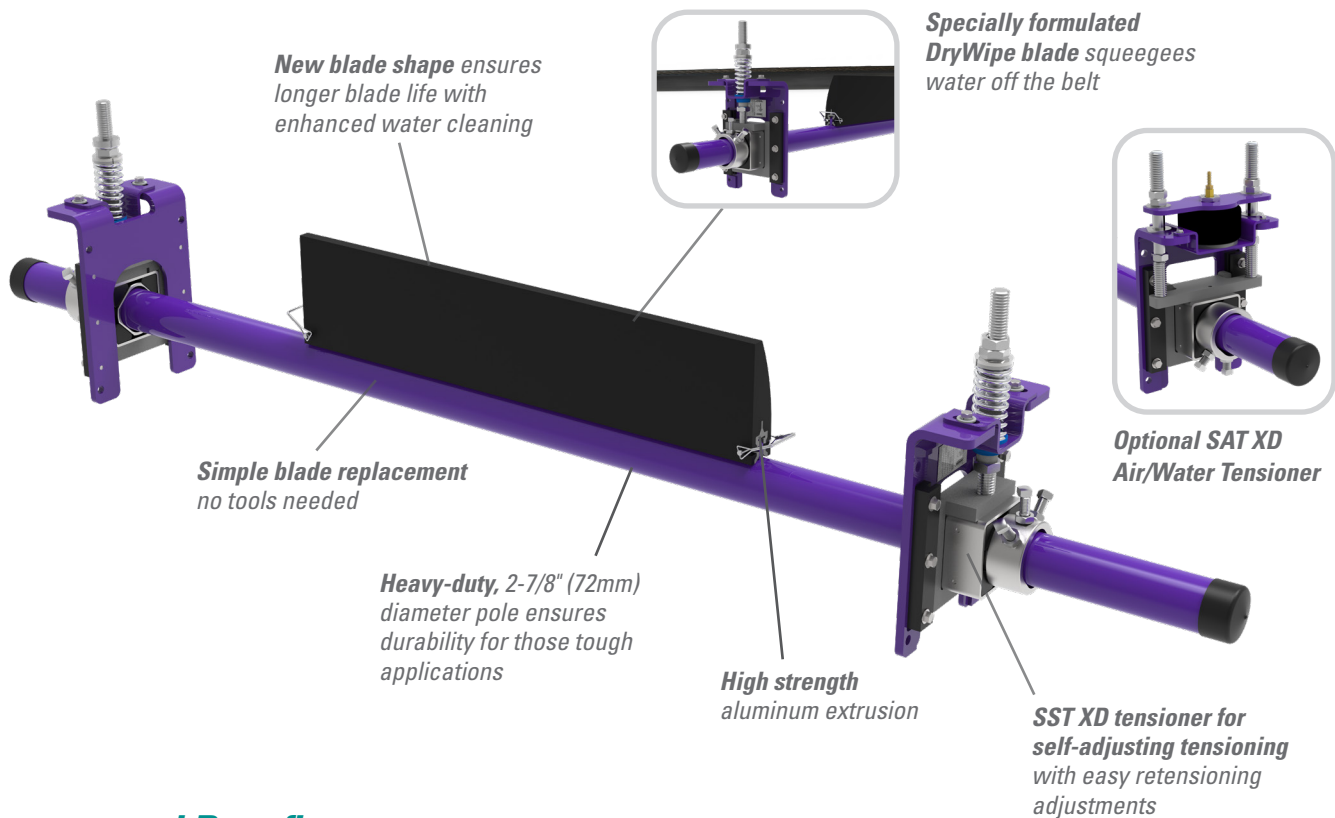


# MDWS Heavy-Duty Secondary Belt Cleaner

## The Final Step in Belt Cleaning

Many times the belt cleaners on a beltline do a good job of taking off the carryback materials. However, after the last cleaner, there is still water on the belt and that can still cause a big mess along the beltline. The MDWS Secondary Belt Cleaner is designed to be the last cleaner in a cleaning system and wipe the belt dry.



### Features and Benefits

- **Long wear life.** Blade has 4-1/2" (113mm) of usable urethane.
- **Low maintenance.** Occasionally check for blade wear and measure springs for proper tensioning.
- **Works with mechanical fasteners.** The polyurethane blade easily glides over the mechanical splices and the spring tensioners dampen any impact, allowing the splices to pass without damage to the blade or the splice and with minimal cleaning disruption.
- **Streamlined design.** The MDWS has minimal horizontal surfaces for carryback to build up on. Carryback buildup often renders other secondary cleaners ineffective.
- **Complete cleaning system.** When teamed with a Mineline precleaner and one or more secondary cleaners depending upon the application, the MDWS is the unbeatable final cleaner in a cleaning system that delivers unmatched cleaning performance and efficiency.
- **Made for mining conveyors.** The MDWS comes standard with an extra-long pole (belt width plus 60" (1500mm) for cleaners up to 60" (1500mm) and belt width plus 54" (1350mm) for cleaners over 60" (1500mm)), so it can be used on most mining conveyors. It is available for belt widths from 24 to 96" (600 to 2400mm).

# MDWS Heavy-Duty Secondary Belt Cleaner

## Specifications and Guidelines

### Maximum Belt Speed

1000 FPM (5 M/sec)

### Temperature Rating

-30 to 180°F (-35 to 82°C)

### Blade Height

7-1/4" (185mm)

### Usable Blade Wear Length

4-1/2" (113mm)

### Blade Material

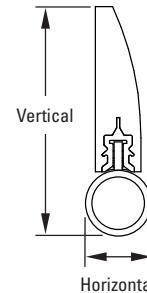
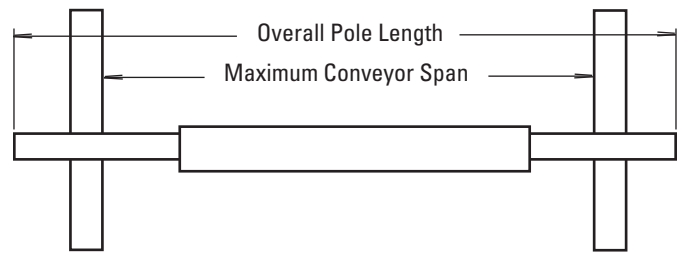
Urethane 59 durometer (softer to squeegee water off)

### Available for Belt Widths

24 to 84" (600 to 2100mm)

**Pole Length** Cleaner size up to 60" (1500mm) + 60" (1500mm)

**Maximum Conveyor Span** Cleaner size over 60" (1500mm) + 54" (1350mm)



**Horizontal Clearance Required**

4" (100mm)

**Vertical Clearance Required**

10" (250mm)

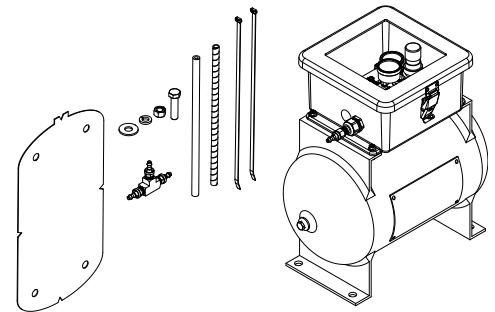
## Ordering Information

MDWS Secondary Belt Cleaner w/ SST XD Tensioner					
Belt Width		Ordering Number	Item Code	Weight	
in.	mm			Lb.	Kg.
24	600	MDWS-24	75868	115.1	52.2
30	750	MDWS-30	75869	122.8	55.7
36	900	MDWS-36	75870	127.8	58.0
42	1050	MDWS-42	75871	138.3	62.7
48	1200	MDWS-48	75872	146.8	66.6
54	1350	MDWS-54	75873	154.5	70.1
60	1500	MDWS-60	75874	162.2	73.6
72	1800	MDWS-72	75875	177.7	80.6
84	2100	MDWS-84	76806	193.2	87.6
96	2400	MDWS-96	79063	208.7	94.6

MDWS Secondary Belt Cleaner w/ SAT XD Tensioner					
Belt Width		Ordering Number	Item Code	Weight	
in.	mm			Lb.	Kg.
24	600	MDWS-24P	78745	115.1	52.2
30	750	MDWS-30P	78746	122.8	55.7
36	900	MDWS-36P	78747	127.8	58.0
42	1050	MDWS-42P	78748	138.3	62.7
48	1200	MDWS-48P	78749	146.8	66.6
54	1350	MDWS-54P	78750	154.5	70.1
60	1500	MDWS-60P	78751	162.2	73.6
72	1800	MDWS-72P	78752	177.7	80.6
84	2100	MDWS-84P	78753	193.2	87.6
96	2400	MDWS-96P	79064	208.7	94.6

Replacement ConShear™ DW Blades					
Belt Width		Ordering Number	Item Code	Weight	
in.	mm			Lb.	Kg.
24	600	CDWB24	75884	12.8	5.8
30	750	CDWB30	75885	15.5	7.0
36	900	CDWB36	75886	18.3	8.3
42	1050	CDWB42	75887	21.0	9.5
48	1200	CDWB48	75888	23.8	10.8
54	1350	CDWB54	75889	26.5	12.0
60	1500	CDWB60	75890	29.2	13.2
72	1800	CDWB72	75891	34.7	15.7
84	2100	CDWB84	76942	40.5	18.4
96	2400	CDWB96	79062	46.3	21.0

Control Box/Tank Combo Units for Closed System				
Description	Ordering Number	Item Code	Weight	
			Lb.	Kg.
Control Box/Tank Combo Unit for Precleaner - 60 PSI	PAT-C-60	108230	64.0	29.0
Control Box/Tank Combo Unit for Secondary Cleaner - 100 PSI	PAT-C-100	108231	64.0	29.0



## Product Notes

- For use with Cleaners with New PAT systems.
- 150# pop-off valve for safe pressurizing/charging of Air Tank.
- ASME construction tank.
- Fully sealed enclosure includes all critical items - regulator, tank gauge, downstream gauge, schrader valve, in-line filter, downstream valve.

Visit [www.flexco.com](http://www.flexco.com) for other Flexco locations and products, or to find an authorized distributor.

©2023 Flexible Steel Lacing Company. 05-30-24. X2504

