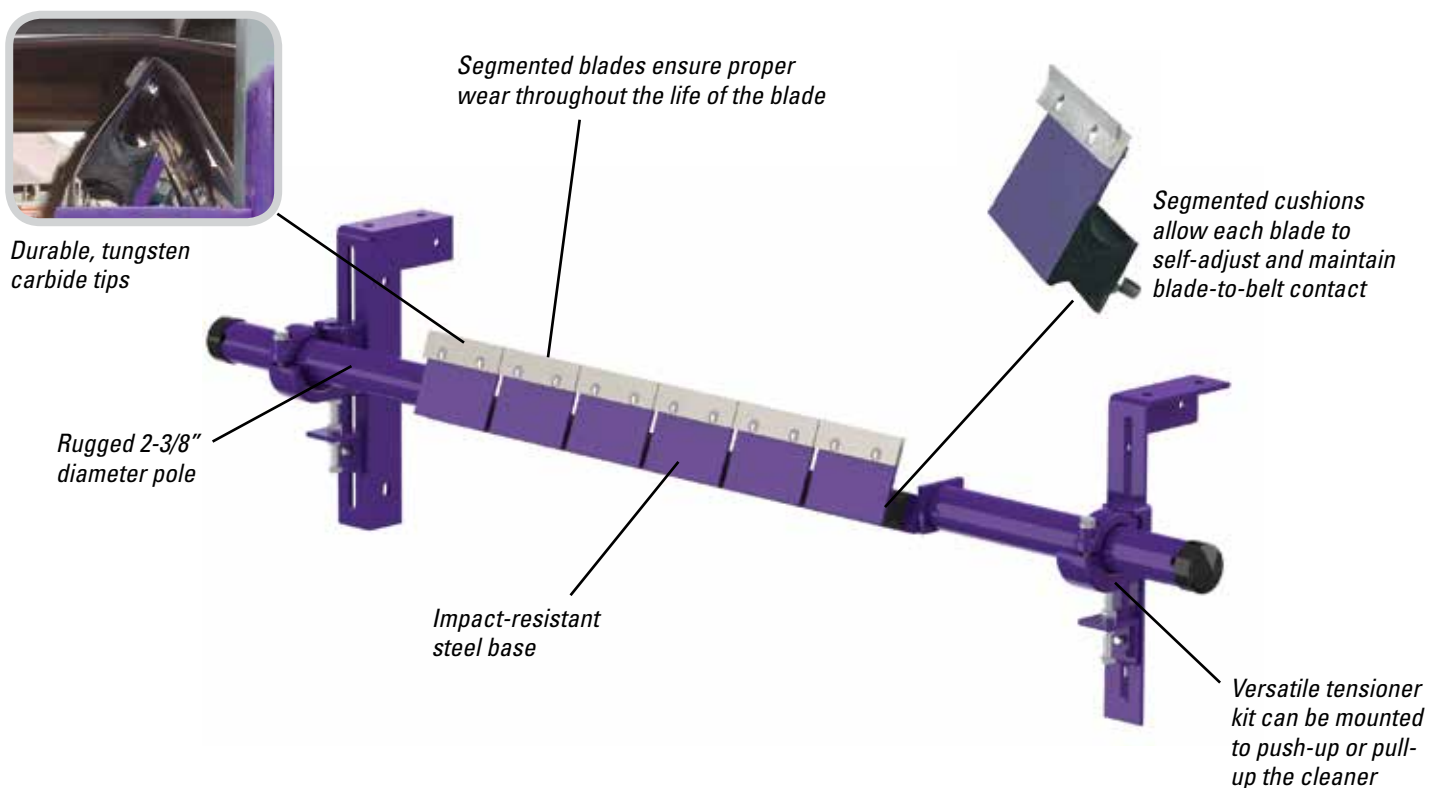


P-TYPE[®] LS

Limited Space Secondary Belt Cleaner

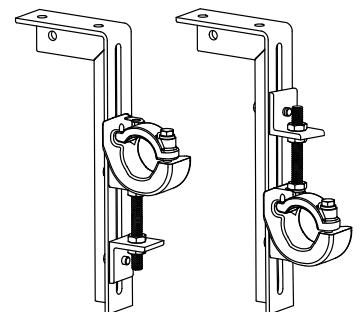
Reliable Secondary Belt Cleaner

The Flexco P-Type[®] LS Secondary Belt Cleaner is compact and designed to be positioned just off the head pulley to remove carryback from the belt. Stand alone, or when used in conjunction with a precleaner, the P-Type LS cleaner is a reliable choice for maintaining a highly efficient cleaning system.



Features and Benefits

- **Cleaning efficiency of metal blades.** The thin, hard edges of the metal blades deliver high cleaning efficiency and long wear life.
- **Works with Flexco mechanical splices.** The C-Tip tungsten carbide blades are impact-resistant, and the spring cushion allows them to move away from a passing splice without damage and with minimal cleaning disruption.
- **A complete cleaning system.** When the P-Type LS is teamed with a primary cleaner the system provides maximum cleaning power for tough applications.
- **Fits most conveyor structures.** Available for belt widths from 18" to 54" (450 mm to 1350 mm).



P-TYPE® LS Secondary Belt Cleaner

Specifications and Guidelines

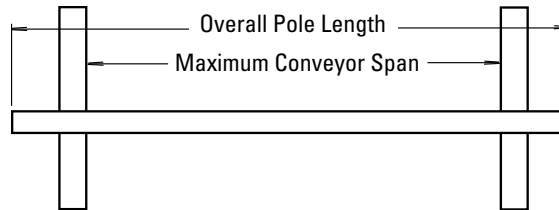
Maximum Belt Speed
1000 FPM (5 M/sec)

Temperature Rating
-30° F to 180° F (-35° C to 82° C)

Usable Blade Wear Length
3/8" (9 mm)

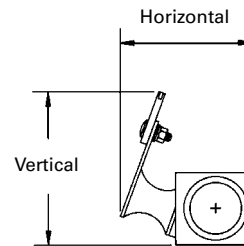
Blade Material
Impact resistant, long-lasting tungsten carbide

Available for Belt Widths
18" to 54" (450 to 1350mm)



Pole Length
Cleaner size up to 48" (1200mm) + 30" (750mm) / Cleaner size 54" and up (1350mm) + 34" (850mm)

Maximum Conveyor Span
Cleaner size up to 48" (1200mm) + 25" (625mm) / Cleaner size 54" and up (1350mm) + 29" (725mm)



Horizontal Clearance Required
5" (125mm)

Vertical Clearance Required
5-1/2" (138mm)

The PLS Cleaner fits on telescoping, stacking and portable conveyors.

Ordering Information

P-Type® LS Secondary with C-Tips*			
Belt Width		Ordering Number	Item Code
in.	mm		
18	450	PLSC18	75588
24	600	PLSC24	75589
30	750	PLSC30	75590
36	900	PLSC36	75591
42	1050	PLSC42	75592
48	1200	PLSC48	75593
54	1350	PLSC54	75594

*NOTE: C-Tips can be used on mechanically spliced and vulcanized belts. P-Type LS cleaners come standard with Select Set™ Tensioners.

Replacement Tips	
Ordering Number	Item Code
ICT6	74535

Lead time: 1 working day

Tips Required per Cleaner Size							
in.	18	24	30	36	42	48	54
mm	450	600	750	900	1050	1200	1350
C-Tips Required	3	4	5	6	7	8	9

Additional Information

For standard applications, see the P-Type Sell Sheet X2397.



Authorized Distributor:



2525 Wisconsin Avenue • Downers Grove, IL 60515-4200 • USA
Tel: (630) 971-0150 • Fax: (630) 971-1180 • E-mail: info@flexco.com

Visit www.flexco.com for other Flexco locations and products.

©2014 Flexible Steel Lacing Company, 04/14. For reorder: X2479

