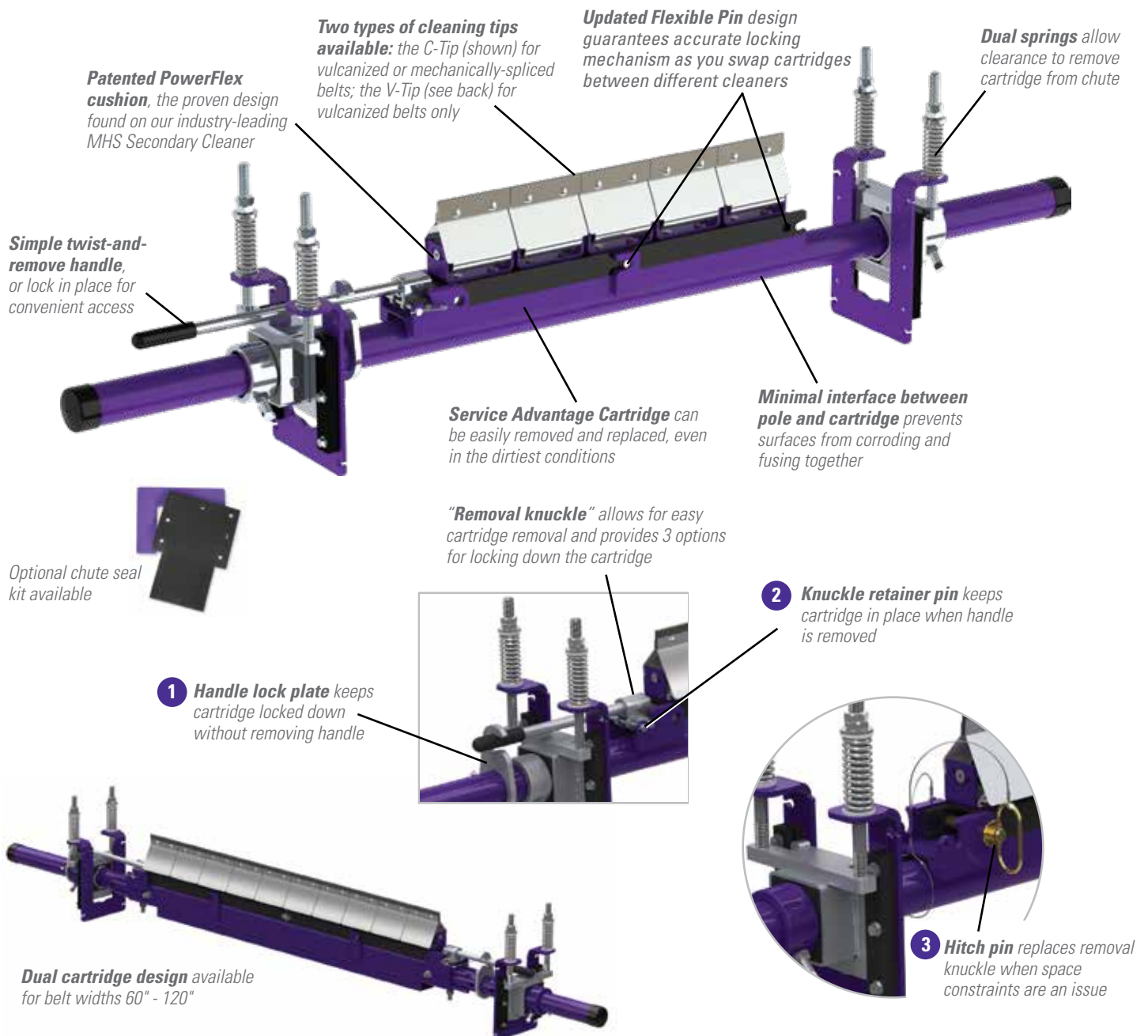


MHS Enhanced Service Advantage Cartridge HD Secondary Belt Cleaner

Superior Cleaning and Serviceability

The MHS Enhanced Service Advantage Cartridge Secondary Belt Cleaner joins our proven and patented PowerFlex cushion with a superior, service-friendly removal cartridge. The MHS ESAC Cleaner delivers the high-efficiency cleaning and long-lasting performance required for the most difficult cleaning environments. The cartridge now gives you control over maintenance with three easy-to-use removal options, ensuring greater ease of maintenance.



MHS with Enhanced Service Advantage Cartridge Heavy-Duty Secondary Belt Cleaner

Maximum Belt Speed

1200 FPM (6 m/s)

Temperature Rating

-30° F to 180° F (-35° C to 82° C)

Usable Blade Wear Length

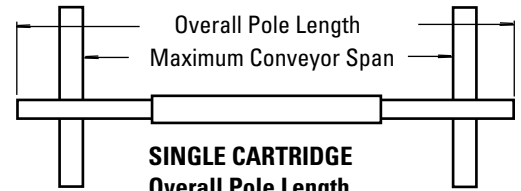
3/8" (9 mm)

Blade Material

Impact resistant, long-lasting tungsten carbide (C-Tip for mechanical fasteners, V-Tip for vulcanized belts)

Available for Belt Widths

24" to 120" (600 to 3000 mm)



SINGLE CARTRIDGE

Overall Pole Length

Cleaner size + 54" (1350 mm)

Maximum Conveyor Span

Cleaner size + 42" (1050 mm)

Ordering Information

MHS SAC HD Secondary Cleaner C-Tips and Spring Tensioner (SST XD)

Belt Width		Ordering Number	Item Code
in.	mm		
24	600	MHS-24-ESAC	77840
30	750	MHS-30-ESAC	77841
36	900	MHS-36-ESAC	77842
42	1050	MHS-42-ESAC	77843
48	1200	MHS-48-ESAC	77844
54	1350	MHS-54-ESAC	77845
60	1500	MHS-60-ESAC	77846
72	1800	MHS-72-ESAC	77847
60	1500	MHS-60-2ESAC	77848
72	1800	MHS-72-2ESAC	77849
84	2100	MHS-84-2ESAC	77850
96	2400	MHS-96-2ESAC	77851
120	3000	MHS-120-2ESAC	77852

Lead time: 1 working day

Lead time: 15 working days

MHS SAC HD Secondary Cleaner V-Tips and Spring Tensioner (SST XD)

Belt Width		Ordering Number	Item Code
in.	mm		
24	600	MHS-24V-ESAC	77853
30	750	MHS-30V-ESAC	77854
36	900	MHS-36V-ESAC	77855
42	1050	MHS-42V-ESAC	77856
48	1200	MHS-48V-ESAC	77857
54	1350	MHS-54V-ESAC	77858
60	1500	MHS-60V-ESAC	77859
72	1800	MHS-72V-ESAC	77860
60	1500	MHS-60V-2ESAC	77861
72	1800	MHS-72V-2ESAC	77862
84	2100	MHS-84V-2ESAC	77863
96	2400	MHS-96V-2ESAC	77864
120	3000	MHS-120V-2ESAC	77865

Lead time: 1 working day

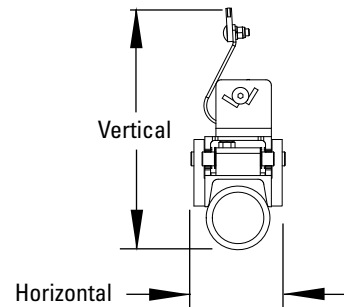
DUAL CARTRIDGE

Overall Pole Length

Cleaner size + 60" (1500 mm)

Maximum Conveyor Span

Cleaner size + 48" (1200 mm)



Horizontal Clearance Required

4-1/2" (114 mm)

Vertical Clearance Required

11" (279 mm) (Single Cartridge)

12-1/2" (318 mm) (Dual Cartridge)

NOTE: For easy blade changeout, remove cartridge with worn blades and replace with new blade cartridge kit. New blades can then be installed in the old cartridge for the next changeout.

Blade Cartridge Kits with C-Tips (Incl. blades, cartridge, and bolts)

Belt Width		Ordering Number	Item Code
in.	mm		
24	600	MHS-CARK-C24/600	77929
30	750	MHS-CARK-C30/750	77930
36	900	MHS-CARK-C36/900	77931
42	1050	MHS-CARK-C42/1050	77932
48	1200	MHS-CARK-C48/1200	77933
54	1350	MHS-CARK-C54/1350	77934
60	1500	MHS-CARK-C60/1500	77935
72	1800	MHS-CARK-C72/1800	77936
60	1500	MHS-CARK2-C60/1500	77945
72	1800	MHS-CARK2-C72/1800	77946
84	2100	MHS-CARK2-C84/2100	77947
96	2400	MHS-CARK2-C96/2400	77948
120	3000	MHS-CARK2-C120/3000	77949

Lead time: 1 working day

Blade Cartridge Kits with V-Tips (Incl. blades, cartridge, and bolts)

Belt Width		Ordering Number	Item Code
in.	mm		
24	600	MHS-CARK-V24/600	77937
30	770	MHS-CARK-V30/770	77938
36	900	MHS-CARK-V36/900	77939
42	1050	MHS-CARK-V42/1050	77940
48	1200	MHS-CARK-V48/1200	77941
54	1350	MHS-CARK-V54/1350	77942
60	1500	MHS-CARK-V60/1500	77943
72	1800	MHS-CARK-V72/1800	77944
60	1500	MHS-CARK2-V60/1500	77950
72	1800	MHS-CARK2-V72/1800	77951
84	2100	MHS-CARK2-V84/2100	77952
96	2400	MHS-CARK2-V96/2400	77953
120	3000	MHS-CARK2-V120/3000	77954

Lead time: 1 working day

Replacement Tips

Ordering Number	Item Code
ICT6	74535
RSA150	73628

Lead time: 1 working day

Chute Seal Kit

Ordering Number	Item Code
SACSK	77052

Lead time: 1 working day

Tips Required per Cleaner Size

in.	mm	Tips Required
24	600	4
30	750	5
36	900	6
42	1050	7
48	1200	8
54	1350	9
60	1500	10
72	1800	12
84	2100	14
96	2400	16
120	3000	18

Authorized Distributor:



2525 Wisconsin Avenue • Downers Grove, IL 60515-4200 • USA
Tel: (630) 971-0150 • Fax: (630) 971-1180 • E-mail: info@flexco.com

Visit www.flexco.com for other Flexco locations and products.

©2022 Flexible Steel Lacing Company, 12/02/22. For reorder: X2423

