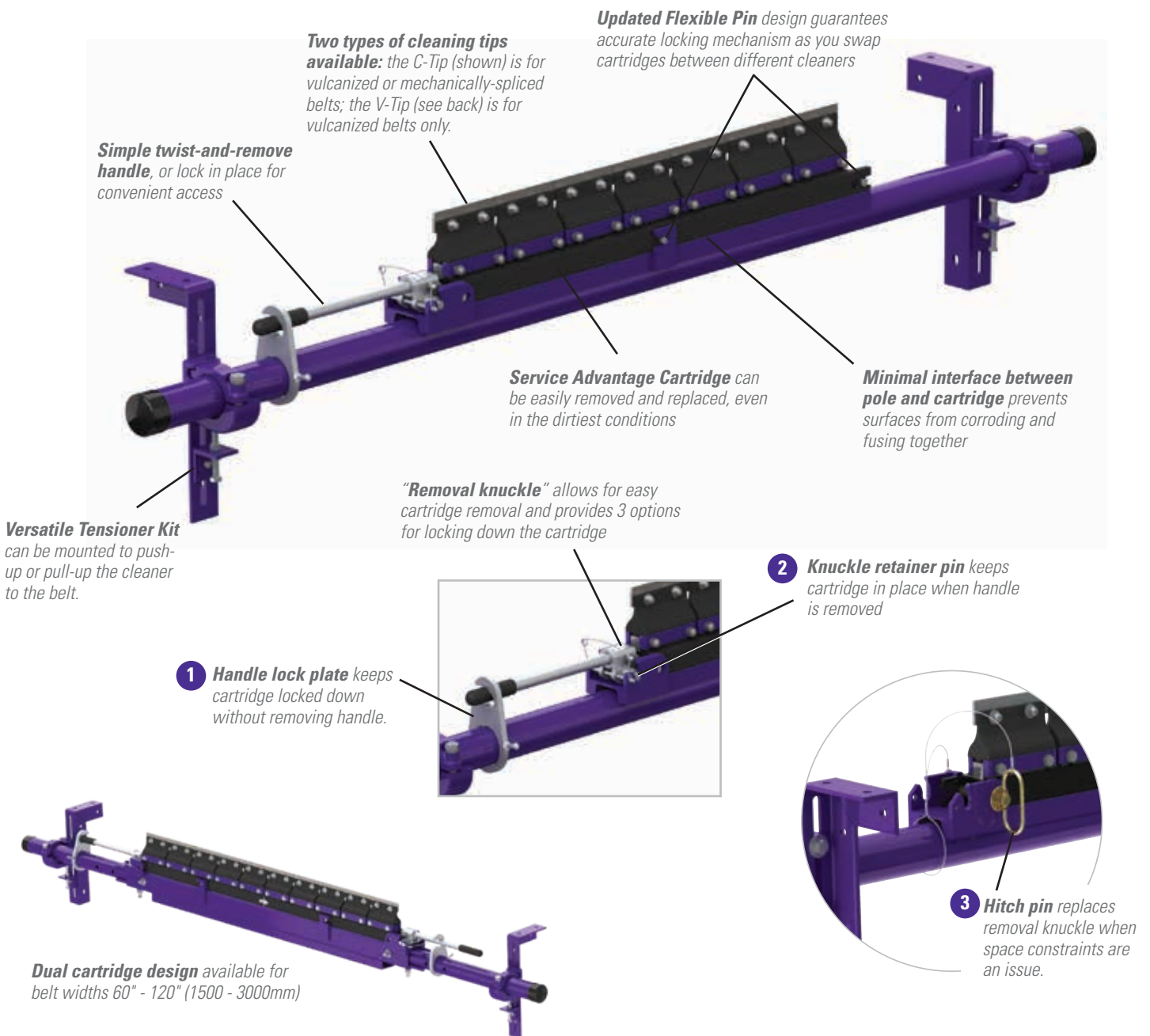


R-TYPE® Enhanced Service Advantage Cartridge HD Secondary Belt Cleaner

Reversing Cleaner with Improved Serviceability

The R-Type® ESAC combines the reversing R-Type secondary cleaner with the Enhanced Service Advantage Cartridge. Not only simple to install using the versatile tensioner kit, the R-Type ESAC is also trouble-free to service, with the easy-to-use cartridge kit. The cartridge now gives you control over maintenance with three easy-to-use removal options. The R-Type ESAC is the reliable choice for a great cleaner on reversing belts.



R-TYPE® with Enhanced Service Advantage Cartridge Heavy-Duty Secondary Belt Cleaner

Maximum Belt Speed

1000 FPM (5 m/s)

Temperature Rating

-30° F to 180° F (-35° C to 82° C)

Usable Blade Wear Length

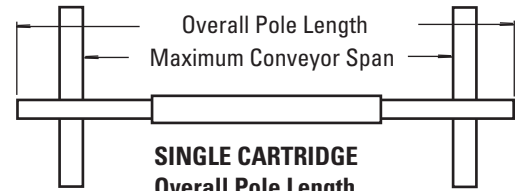
3/8" (9 mm)

Blade Material

Impact resistant, long-lasting tungsten carbide (C-Tip for mechanical fasteners, V-Tip for vulcanized belts)

Available for Belt Widths

24" to 120" (600 to 3000 mm)



SINGLE CARTRIDGE

Overall Pole Length

Cleaner size + 54" (1350 mm)

Maximum Conveyor Span

Cleaner size + 42" (1050 mm)

DUAL CARTRIDGE

Overall Pole Length

Cleaner size + 60" (1500 mm)

Maximum Conveyor Span

Cleaner size + 48" (1200 mm)

Ordering Information

RC SAC HD Secondary Cleaner C-Tips and Bolt Tensioner

Belt Width		Ordering Number	Item Code
in.	mm		
24	600	RC24-ESAC	77968
30	750	RC30-ESAC	77969
36	900	RC36-ESAC	77970
42	1050	RC42-ESAC	77971
48	1200	RC48-ESAC	77972
54	1350	RC54-ESAC	77973
60	1500	RC60-ESAC	77974
72	1800	RC72-ESAC	77975
60	1500	RC60-2ESAC	77976
72	1800	RC72-2ESAC	77977
84	2100	RC84-2ESAC	77978
96	2400	RC96-2ESAC	77979
120	3000	RC120-2ESAC	77980

Lead time: 1 working day

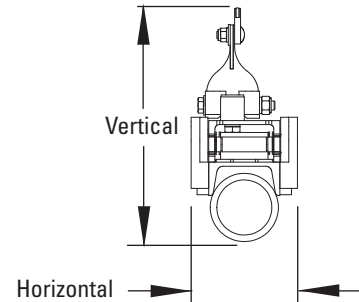
RV SAC HD Secondary Cleaner V-Tips and Bolt Tensioner

Belt Width		Ordering Number	Item Code
in.	mm		
24	600	RV24-ESAC	77994
30	750	RV30-ESAC	77995
36	900	RV36-ESAC	77996
42	1050	RV42-ESAC	77997
48	1200	RV48-ESAC	77998
54	1350	RV54-ESAC	77999
60	1500	RV60-ESAC	78000
72	1800	RV72-ESAC	78001
60	1500	RV60-2ESAC	78002
72	1800	RV72-2ESAC	78003
84	2100	RV84-2ESAC	78004
96	2400	RV96-2ESAC	78005
120	3000	RV120-2ESAC	78006

Lead time: 1 working day

Lead time: 15 working days

NOTE: For easy blade changeout, remove cartridge with worn blades and replace with new blade cartridge kit. New blades can then be installed in the old cartridge for the next changeout.



Horizontal Clearance Required

4-1/2" (114 mm)

Vertical Clearance Required

10" (254 mm) (Single Cartridge)

11-3/4" (298 mm) (Dual Cartridge)

Blade Cartridge Kits with C-Tips (Incl. blades, cartridge, and bolts)

Belt Width		Ordering Number	Item Code
in.	mm		
24	600	R-CARK-C24/600	78098
30	750	R-CARK-C30/750	78099
36	900	R-CARK-C36/900	78100
42	1050	R-CARK-C42/1050	78101
48	1200	R-CARK-C48/1200	78102
54	1350	R-CARK-C54/1350	78103
60	1500	R-CARK-C60/1500	78104
72	1800	R-CARK-C72/1800	78105
60	1500	R-CARK2-C60/1500	78114
72	1800	R-CARK2-C72/1800	78115
84	2100	R-CARK2-C84/2100	78116
96	2400	R-CARK2-C96/2400	78117
120	3000	R-CARK2-C120/3000	78118

Lead time: 1 working day

Blade Cartridge Kits with V-Tips (Incl. blades, cartridge, and bolts)

Belt Width		Ordering Number	Item Code
in.	mm		
24	600	R-CARK-V24/600	78106
30	770	R-CARK-V30/770	78107
36	900	R-CARK-V36/900	78108
42	1050	R-CARK-V42/1050	78109
48	1200	R-CARK-V48/1200	78110
54	1350	R-CARK-V54/1350	78111
60	1500	R-CARK-V60/1500	78112
72	1800	R-CARK-V72/1800	78113
60	1500	R-CARK2-V60/1500	78119
72	1800	R-CARK2-V72/1800	78120
84	2100	R-CARK2-V84/2100	78121
96	2400	R-CARK2-V96/2400	78122
120	3000	R-CARK2-V120/3000	78123

Lead time: 1 working day

Replacement Tips

Ordering Number	Item Code
ICT6	74535
RSA150	73628

Lead time: 1 working day

Tips Required per Cleaner Size

in.	mm	Tips Required
24	600	4
30	750	5
36	900	6
42	1050	7
48	1200	8
54	1350	9
60	1500	10
72	1800	12
84	2100	14
96	2400	16
120	3000	18

Authorized Distributor:



2525 Wisconsin Avenue • Downers Grove, IL 60515-4200 • USA
Tel: (630) 971-0150 • Fax: (630) 971-1180 • E-mail: info@flexco.com

Visit www.flexco.com for other Flexco locations and products.

©2010 Flexible Steel Lacing Company. 02/19/19. For Reorder: X2422

