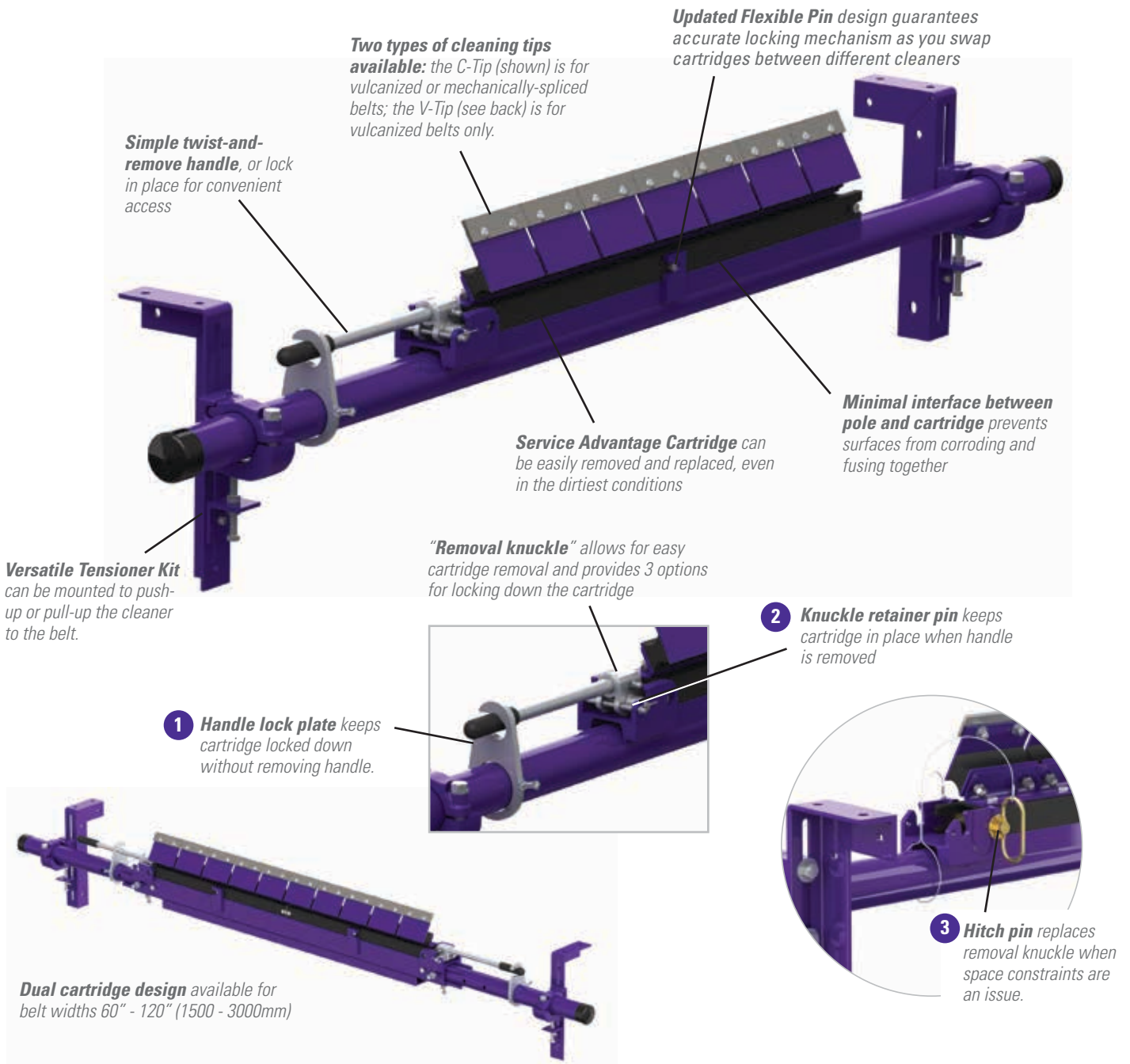


# P-TYPE® Enhanced Service Advantage Cartridge HD Secondary Belt Cleaner

## Reliable Cleaner with Improved Serviceability

The P-Type® ESAC combines the compact and highly efficient P-Type Secondary Cleaner with the Enhanced Service Advantage Cartridge. Not only simple to install using the versatile tensioner kit, the P-Type ESAC is also trouble-free to service, with the easy-to-use cartridge kit. The cartridge now gives you control over maintenance with three easy-to-use removal options. The P-Type ESAC is the reliable choice for a great cleaner at the right price.



# P-TYPE® with Enhanced Service Advantage Cartridge Heavy-Duty Secondary Belt Cleaner

## Maximum Belt Speed

1000 FPM (5 m/s)

## Temperature Rating

-30° F to 180° F (-35° C to 82° C)

## Usable Blade Wear Length

3/8" (9 mm)

## CEMA Cleaner Rating

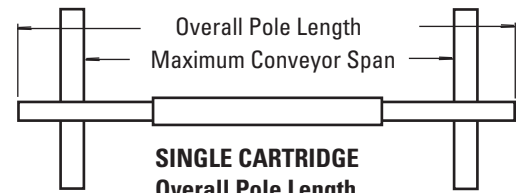
Class 4

## Blade Material

Impact resistant, long-lasting tungsten carbide (C-Tip for mechanical fasteners, V-Tip for vulcanized belts)

## Available for Belt Widths

24" to 120" (600 to 3000 mm)



## SINGLE CARTRIDGE

### Overall Pole Length

Cleaner size + 54" (1350 mm)

### Maximum Conveyor Span

Cleaner size + 42" (1050 mm)

## DUAL CARTRIDGE

### Overall Pole Length

Cleaner size + 60" (1500 mm)

### Maximum Conveyor Span

Cleaner size + 48" (1200 mm)

## Ordering Information

PC SAC HD Secondary Cleaner C-Tips and Bolt Tensioner			
Belt Width		Ordering Number	Item Code
in.	mm		
24	600	PC24-ESAC	77955
30	750	PC30-ESAC	77956
36	900	PC36-ESAC	77957
42	1050	PC42-ESAC	77958
48	1200	PC48-ESAC	77959
54	1350	PC54-ESAC	77960
60	1500	PC60-ESAC	77961
72	1800	PC72-ESAC	77962
60	1500	PC60-2ESAC	77963
72	1800	PC72-2ESAC	77964
84	2100	PC84-2ESAC	77965
96	2400	PC96-2ESAC	77966
120	3000	PC120-2ESAC	77967

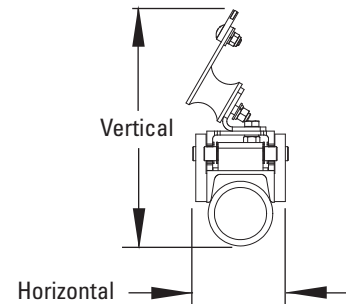
Lead time: 1 working day

PV SAC HD Secondary Cleaner V-Tips and Bolt Tensioner			
Belt Width		Ordering Number	Item Code
in.	mm		
24	600	PV24-ESAC	77981
30	750	PV30-ESAC	77982
36	900	PV36-ESAC	77983
42	1050	PV42-ESAC	77984
48	1200	PV48-ESAC	77985
54	1350	PV54-ESAC	77986
60	1500	PV60-ESAC	77987
72	1800	PV72-ESAC	77988
60	1500	PV60-2ESAC	77989
72	1800	PV72-2ESAC	77990
84	2100	PV84-2ESAC	77991
96	2400	PV96-2ESAC	77992
120	3000	PV120-2ESAC	77993

Lead time: 1 working day

Lead time: 15 working days

NOTE: For easy blade changeout, remove cartridge with worn blades and replace with new blade cartridge kit. New blades can then be installed in the old cartridge for the next changeout.



## Horizontal Clearance Required

4-1/2" (114 mm)

## Vertical Clearance Required

10-1/2" (267 mm) (Single Cartridge)

12-1/4" (311 mm) (Dual Cartridge)

Blade Cartridge Kits with C-Tips (Incl. blades, cartridge, and bolts)			
Belt Width		Ordering Number	Item Code
in.	mm		
24	600	P-CARK-C24/600	78072
30	750	P-CARK-C30/750	78073
36	900	P-CARK-C36/900	78074
42	1050	P-CARK-C42/1050	78075
48	1200	P-CARK-C48/1200	78076
54	1350	P-CARK-C54/1350	78077
60	1500	P-CARK-C60/1500	78078
72	1800	P-CARK-C72/1800	78079
60	1500	P-CARK2-C60/1500	78088
72	1800	P-CARK2-C72/1800	78089
84	2100	P-CARK2-C84/2100	78090
96	2400	P-CARK2-C96/2400	78091
120	3000	P-CARK2-C120/3000	78092

Lead time: 1 working day

Blade Cartridge Kits with V-Tips (Incl. blades, cartridge, and bolts)			
Belt Width		Ordering Number	Item Code
in.	mm		
24	600	P-CARK-V24/600	78080
30	770	P-CARK-V30/770	78081
36	900	P-CARK-V36/900	78082
42	1050	P-CARK-V42/1050	78083
48	1200	P-CARK-V48/1200	78084
54	1350	P-CARK-V54/1350	78085
60	1500	P-CARK-V60/1500	78086
72	1800	P-CARK-V72/1800	78087
60	1500	P-CARK2-V60/1500	78093
72	1800	P-CARK2-V72/1800	78094
84	2100	P-CARK2-V84/2100	78095
96	2400	P-CARK2-V96/2400	78096
120	3000	P-CARK2-V120/3000	78097

Lead time: 1 working day

Replacement Tips	
Ordering Number	Item Code
ICT6	74535
PSA150	73156

Lead time: 1 working day

Tips Required per Cleaner Size		
in.	mm	Tips Required
24	600	4
30	750	5
36	900	6
42	1050	7
48	1200	8
54	1350	9
60	1500	10
72	1800	12
84	2100	14
96	2400	16
120	3000	18

Authorized Distributor:



2525 Wisconsin Avenue • Downers Grove, IL 60515-4200 • USA  
Tel: (630) 971-0150 • Fax: (630) 971-1180 • E-mail: info@flexco.com

Visit [www.flexco.com](http://www.flexco.com) for other Flexco locations and products.

©2019 Flexible Steel Lacing Company. 02/18/19. For Reorder: X2421

