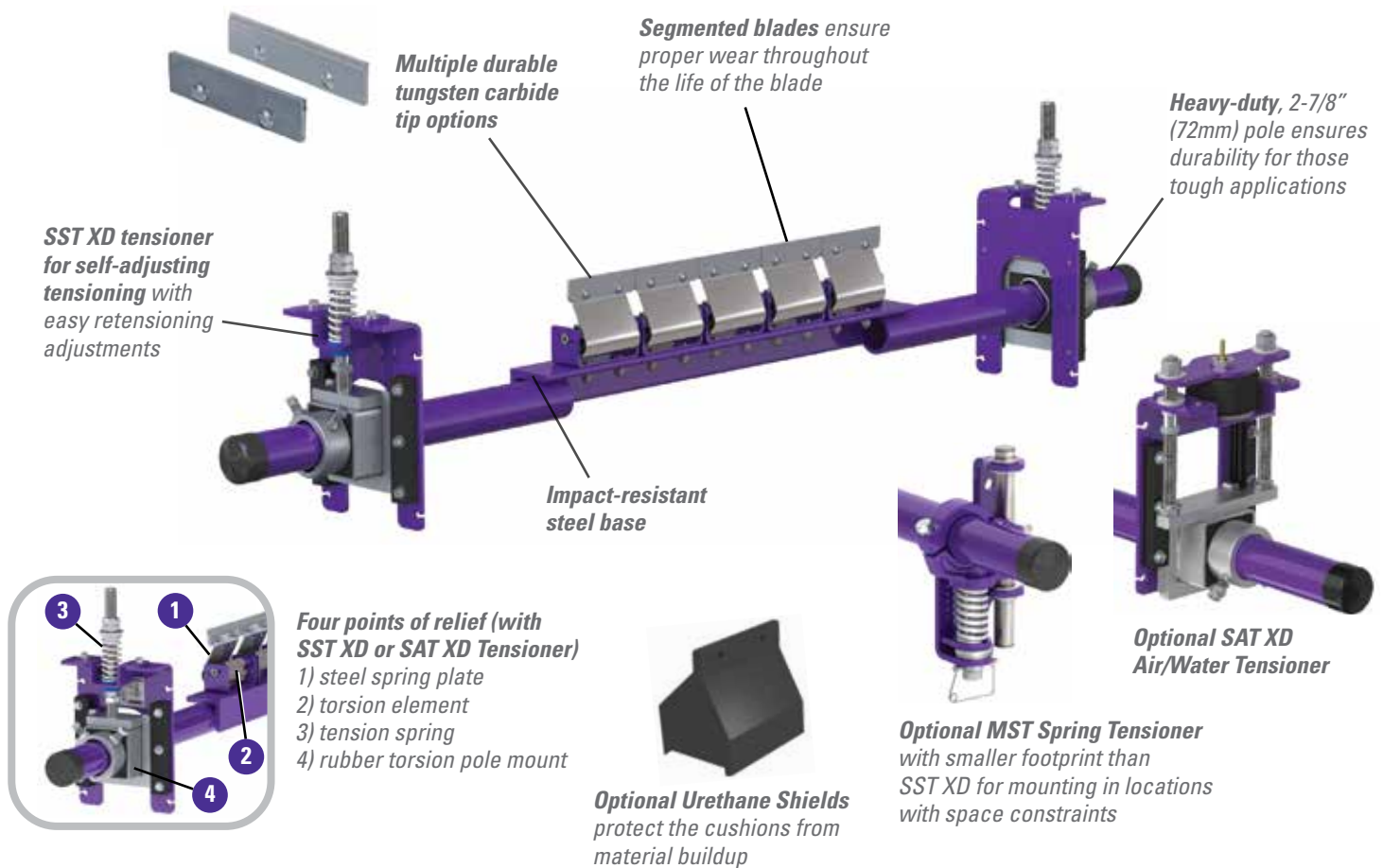


MHS

Heavy-Duty Secondary Belt Cleaner

Superior Cleaning on the Toughest Belts

The MHS Heavy-Duty Secondary Belt Cleaner was designed to deliver and maintain superior cleaning efficiency, even on the most demanding, abusive beltlines. The MHS is the new answer to tough belt cleaning problems. It delivers high-efficiency cleaning, long-lasting performance—and with low maintenance.



Features and Benefits

- **Cleaning efficiency of metal blades.** The thin, hard edges of the metal blades deliver high cleaning efficiency and long wear life.
- **Works with Flexco mechanical splices.** The C-Tip tungsten carbide blades are impact-resistant, and the spring cushion allows them to move away from a passing splice without damage and with minimal cleaning disruption. V-Tips can be used only on vulcanized belts.
- **A complete cleaning system.** When the MHS is teamed with the MMP precleaner the system provides maximum cleaning power for tough applications.
- **Made for mining conveyors.** Made from heavy-duty, corrosion-resistant steel, the MHS is available in sizes for belt widths from 18" to 96" (450 to 2400mm). Additional sizes are available upon request.
- **Safe to service.** All service can be performed from a safe position at the side of the conveyor.
- **Also available in stainless steel.**

MHS Heavy-Duty Secondary Belt Cleaner

Specifications and Guidelines

Maximum Belt Speed

1200 FPM (6 M/sec)

1000 FPM (5 M/sec) with MST Tensioner

Temperature Rating

-30° F to 180° F (-35° C to 82° C)

Usable Blade Wear Length

3/8" (9mm)

Blade Material

Impact resistant, long-lasting tungsten carbide (C-Tip for mechanical fasteners, V-Tips for vulcanized belts)

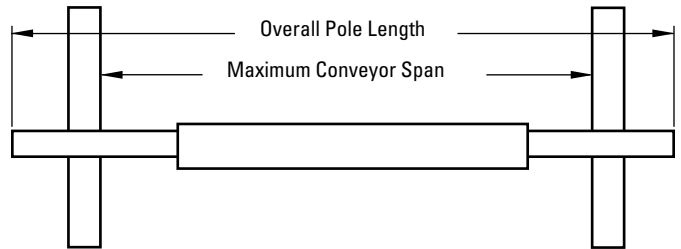
Available for Belt Widths

18" to 96" (450 to 2400mm) with SST XD or SAT XD Tensioner

18" to 72" (450 to 1800mm) with MST Tensioner

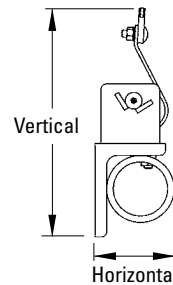
CEMA Cleaner Rating

Class 5



Pole Length Cleaner size + 54" (1350mm)

Maximum Conveyor Span Cleaner size + 44" (1100mm)



Horizontal Clearance Required
4" (100mm)

Vertical Clearance Required
10" (245mm)

Ordering Information

MHS HD Secondary with C-Tips			
Belt Width		Ordering Number	Item Code
in.	mm		
24	600	MHS-24	75910
30	750	MHS-30	75911
36	900	MHS-36	75912
42	1050	MHS-42	75913
48	1200	MHS-48	75914
54	1350	MHS-54	75915
60	1500	MHS-60	75916
72	1800	MHS-72	75917
84	2100	MHS-84	76803
96	2400	MHS-96	79043

MHS HD Secondary with V-Tips*			
Belt Width		Ordering Number	Item Code
in.	mm		
18	450	MHS-18V	76169
24	600	MHS-24V	76170
30	750	MHS-30V	76171
36	900	MHS-36V	76172
42	1050	MHS-42V	76173
48	1200	MHS-48V	76174
54	1350	MHS-54V	76175
60	1500	MHS-60V	76176
72	1800	MHS-72V	76177
84	2100	MHS-84V	76804
96	2400	MHS-96V	79044

*V-Tips can be used ONLY on vulcanized belts

MHS with MST and V-Tips*			
Belt Width		Ordering Number	Item Code
in.	mm		
18	450	MHS-18V-MST	79442
24	600	MHS-24V-MST	79443
30	750	MHS-30V-MST	79444
36	900	MHS-36V-MST	79445
42	1050	MHS-42V-MST	79446
48	1200	MHS-48V-MST	79447
54	1350	MHS-54V-MST	79448
60	1500	MHS-60V-MST	79449
72	1800	MHS-72V-MST	79450

*V-Tips can be used ONLY on vulcanized belts

MHS with PAT*				
Belt Width		Ordering Number	Item Code	
in.	mm			
24	600	MHS-24P	78736	
30	750	MHS-30P	78737	
36	900	MHS-36P	78738	
42	1050	MHS-42P	78739	
48	1200	MHS-48P	78740	
54	1350	MHS-54P	78741	
60	1500	MHS-60P**	78742	
72	1800	MHS-72P**	78743	
84	2100	MHS-84P**	78744	
96	2400	MHS-96P**	79047	

*Includes Control Box

**60", 72" and 96" models have a 3-piece pole.

MHS Reversing with C-Tips			
Belt Width		Ordering Number	Item Code
in.	mm		
24	600	MHS-24R	76613
30	750	MHS-30R	76614
36	900	MHS-36R	76615
42	1050	MHS-42R	76616
48	1200	MHS-48R	76617
54	1350	MHS-54R	76618
60	1500	MHS-60R	76619
72	1800	MHS-72R	76620
84	2100	MHS-84R	76621
96	2400	MHS-96R	79045

MHS Reversing with V-Tips*			
Belt Width		Ordering Number	Item Code
in.	mm		
18	450	MHS-18RV	76646
24	600	MHS-24RV	76647
30	750	MHS-30RV	76648
36	900	MHS-36RV	76649
42	1050	MHS-42RV	76650
48	1200	MHS-48RV	76651
54	1350	MHS-54RV	76652
60	1500	MHS-60RV	76653
72	1800	MHS-72RV	76654
84	2100	MHS-84RV	76805
96	2400	MHS-96RV	79046

*V-Tips can be used ONLY on vulcanized belts

Replacement Tips	
Ordering Number	Item Code
ICT6	74535
RSA150	73628

Urethane Shields	
Ordering Number	Item Code
UPFCC	79320

Tips Required Per Cleaner Size											
in.	18	24	30	36	42	48	54	60	72	84	96
mm	450	600	750	900	1050	1200	1350	1500	1800	2100	2400
C-Tips or V-Tips Required	3	4	5	6	7	8	9	10	12	14	16

Authorized Distributor:



2525 Wisconsin Avenue • Downers Grove, IL 60515-4200 • USA
Tel: (630) 971-0150 • Fax: (630) 971-1180 • E-mail: info@flexco.com

Visit www.flexco.com for other Flexco locations and products.

©2022 Flexible Steel Lacing Company, 10/13/22. For reorder: X2399

