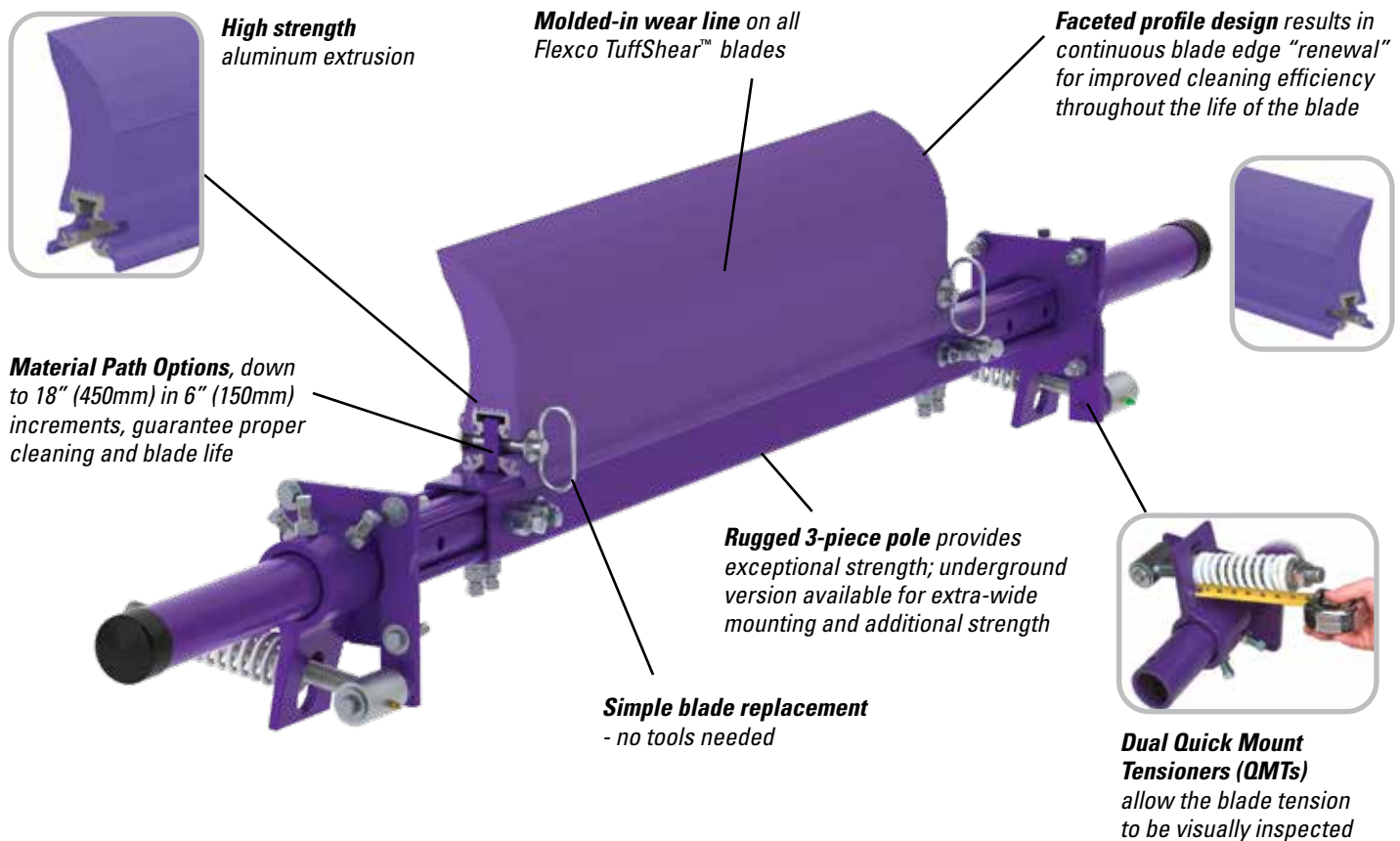




## MMP Medium-Duty Precleaner

### Extra Cleaning Power for Tough Jobs

The MMP Medium-Duty Precleaner tackles those tough applications where the standard-duty precleaner is not sturdy enough but the heavy-duty cleaner is overkill. The MMP is built tough with a heavy-duty pole, a larger, powerful blade and a beefy dual tensioning system. Yet installation is simple, maintenance is quick, and bottom line—the cleaning job is excellent.



### Features and Benefits

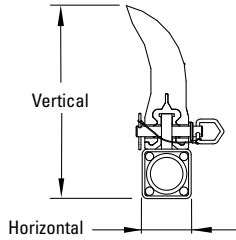
- **Compact and versatile.** Requires only 4" (100 mm) of horizontal clearance for installation. Pole length is belt width plus 54" (1350 mm) to fit varying conveyor or chute wall widths. Pole extenders are available for extended length requirements.
- **Works with Flexco and other mechanical splices.** The spring tensioner quickly moves the blade away from the belt when a splice passes. The polyurethane blade easily glides over the splice without damage and with minimal cleaning disruption.
- **Made for mining conveyors.** Made from heavy-duty steel with corrosion-resistant powder coating, the MMP is available for belt widths from 24" to 120" (600 to 3000 mm). Special sizes are available upon request.
- **Complete cleaning system.** When teamed with our MHS Secondary Cleaner, it makes up a system that delivers maximum cleaning power. If extra water is present, the MDWS DryWipe can be added.

# MMP

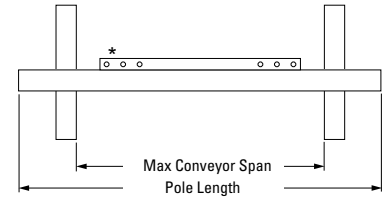
## Medium-Duty Precleaner

### Specifications and Guidelines

- **Maximum Belt Speed**  
1000 FPM (5 M/sec)
- **Temperature Rating**  
-30°F to 180°F (-35°C to 82°C)
- **Pulley Diameter**  
16" (400 mm) min, 48" (2400) max
- **Blade Height**  
10" (250 mm)
- **Usable Blade Wear Length**  
6" (150 mm)
- **Blade Material**  
Polyurethane 83 durometer (proprietary blend for abrasion resistance and long wear)
- **Available for Belt Widths**  
24" to 120" (600 to 3000mm)
- **CEMA Cleaner Rating**  
Class 4
- **Horizontal Clearance Required**  
4" (100mm)
- **Vertical Clearance Required**  
13" (325mm)



- **Pole Length**  
Cleaner size + 54" (1350mm)
- **Maximum Conveyor Span**  
Cleaner size + 42" (1050mm)



### Ordering Information

MMP Precleaner - Belt Width Minus 6" (150mm)							
Belt Width		Blade Width		MMP w/QMT Tens		MMP w/PAT Tens	
in.	mm	in.	mm	Ordering Number	Item Code	Ordering Number	Item Code
24	600	18	450	MMP-624	76450	MMP-624P	78706
30	750	24	600	MMP-630	76451	MMP-630P	78707
36	900	30	750	MMP-636	76452	MMP-636P	78708
42	1050	36	900	MMP-642	76453	MMP-642P	78709
48	1200	42	1050	MMP-648	76454	MMP-648P	78710
54	1350	48	1200	MMP-654	76455	MMP-654P	78711
60	1500	54	1350	MMP-660	76456	MMP-660P	78712
72	1800	66	1650	MMP-672	76457	MMP-672P	78713
84	2100	78	1950	MMP-684	76798	MMP-684P	78714
96	2400	90	2250	MMP-696	79033	MMP-696P	79037
108	2700	102	2550	MMP-6108	90147	MMP-6108P	90389
120	3000	114	2850	MMP-6120	90148	MMP-6120P	90390

MMP Precleaner - Belt Width Minus 12" (300mm)							
in.	mm	in.	mm	Ordering Number	Item Code	Ordering Number	Item Code
30	750	18	450	MMP-1230	76551	MMP-1230P	78715
36	900	24	600	MMP-1236	76552	MMP-1236P	78716
42	1050	30	750	MMP-1242	76553	MMP-1242P	78717
48	1200	36	900	MMP-1248	76554	MMP-1248P	78718
54	1350	42	1050	MMP-1254	76555	MMP-1254P	78719
60	1500	48	1200	MMP-1260	76556	MMP-1260P	78720
72	1800	60	1500	MMP-1272	76557	MMP-1272P	78721
84	2100	72	1800	MMP-1284	76799	MMP-1284P	78722
96	2400	84	2100	MMP-1296	79034	MMP-1296P	79038
108	2700	96	2400	MMP-12108	90149	MMP-12108P	90391
120	3000	108	2700	MMP-12120	90150	MMP-12120P	90392

Lead time: 1 working day

MMP Precleaner - Belt Width Minus 18" (450mm)							
Belt Width		Blade Width		MMP w/QMT Tens		MMP w/PAT Tens	
in.	mm	in.	mm	Ordering Number	Item Code	Ordering Number	Item Code
36	900	18	450	MMP-1836	77575	MMP-1836P	91995
42	1050	24	600	MMP-1842	77576	MMP-1842P	91996
48	1200	30	750	MMP-1848	77577	MMP-1848P	91997
54	1350	36	900	MMP-1854	77578	MMP-1854P	91998
60	1500	42	1050	MMP-1860	77579	MMP-1860P	91999
72	1800	54	1350	MMP-1872	77580	MMP-1872P	92000
84	2100	66	1650	MMP-1884	77581	MMP-1884P	92001
96	2400	78	1950	MMP-1896	79040	MMP-1896P	92002
108	2700	90	2250	MMP-18108	91926	MMP-18108P	92003
120	3000	102	2550	MMP-18120	91927	MMP-18120P	92004

MMP Precleaner - Belt Width Minus 24" (600mm)							
in.	mm	in.	mm	Ordering Number	Item Code	Ordering Number	Item Code
42	1050	18	450	MMP-2442	91928	MMP-2442P	92005
48	1200	24	600	MMP-2448	91929	MMP-2448P	92006
54	1350	30	750	MMP-2454	91930	MMP-2454P	92007
60	1500	36	900	MMP-2460	91931	MMP-2460P	92008
72	1800	48	1200	MMP-2472	91932	MMP-2472P	92009
84	2100	60	1500	MMP-2484	91933	MMP-2484P	92010
96	2400	72	1800	MMP-2496	91934	MMP-2496P	92011
108	2700	84	2100	MMP-24108	91935	MMP-24108P	92012
120	3000	96	2400	MMP-24120	91936	MMP-24120P	92013

Lead time: 1 working day

TuffShear™ Replacement Blades															
Blade Width		TuffShear Blades		TuffShear High-Temp Blades		TuffShear Ultra High-Temp Blades		Blade Width		TuffShear Blades		TuffShear High-Temp Blades		TuffShear Ultra High-Temp Blades	
in.	mm	Ordering Number	Item Code	Ordering Number	Item Code	Ordering Number	Item Code	in.	mm	Ordering Number	Item Code	Ordering Number	Item Code	Ordering Number	Item Code
18	450	TRB18	76485	TRB-HT18	78754	TRB-UHT18	91865	72	1800	TRB72	76494	TRB-HT72	78763	TRB-UHT72	91874
24	600	TRB24	76486	TRB-HT24	78755	TRB-UHT24	91866	78	1950	TRB78	76697	TRB-HT78	78764	TRB-UHT78	91875
30	750	TRB30	76487	TRB-HT30	78756	TRB-UHT30	91867	84	2100	TRB84	77047	TRB-HT84	78765	TRB-UHT84	91876
36	900	TRB36	76488	TRB-HT36	78757	TRB-UHT36	91868	90	2250	TRB90	77048	TRB-HT90	78766	TRB-UHT90	91877
42	1050	TRB42	76489	TRB-HT42	78758	TRB-UHT42	91869	96	2400	TRB96	90358	TRB-HT96	92698	TRB-UHT96	92782
48	1200	TRB48	76490	TRB-HT48	78759	TRB-UHT48	91870	102	2550	TRB102	90359	TRB-HT102	92704	TRB-UHT102	92788
54	1350	TRB54	76491	TRB-HT54	78760	TRB-UHT54	91871	108	2700	TRB108	90360	TRB-HT108	92710	TRB-UHT108	92794
60	1500	TRB60	76492	TRB-HT60	78761	TRB-UHT60	91872	114	2850	TRB114	90361	TRB-HT114	92716	TRB-UHT114	92800
66	1650	TRB66	76493	TRB-HT66	78762	TRB-UHT66	91873								

Authorized Distributor:



2525 Wisconsin Avenue • Downers Grove, IL 60515-4200 • USA  
Tel: (630) 971-0150 • Fax: (630) 971-1180 • E-mail: info@flexco.com

Visit [www.flexco.com](http://www.flexco.com) for other Flexco locations and products.

