

The CoreTech™ Advantage

CoreTech™ HDPE Rolls are highly effective workhorses for the dirtiest, most abrasive environments. They are ideal for highly corrosive, acidic environments – including those with sulfuric acid.

CoreTech™ Tackles Common Issues

Life. CoreTech™ rollers offer the best combination of structural strength coupled with the requirements of mining, which include corrosion resistance, abrasion resistance, and very low surface friction.

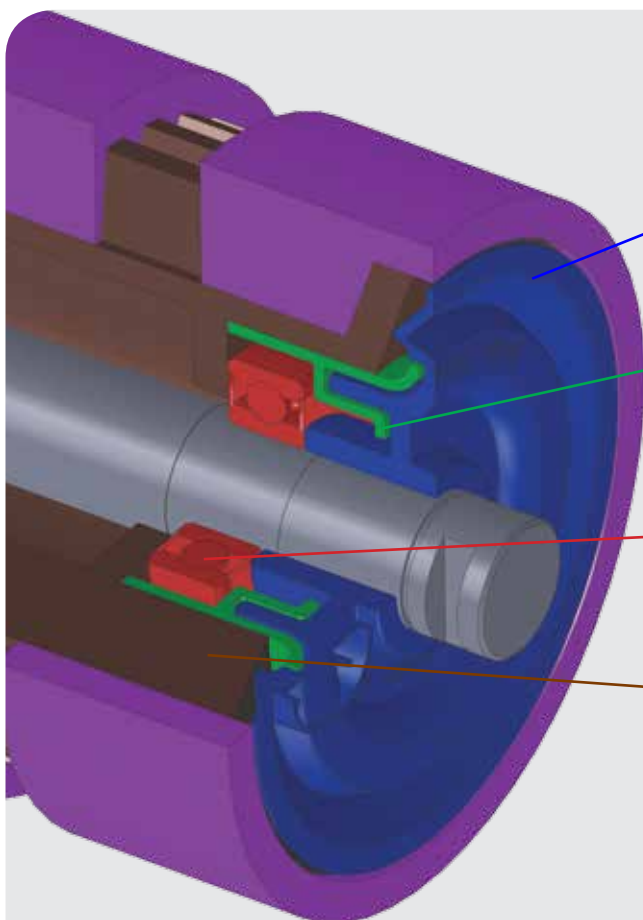
Weight. CoreTech rollers are approximately 40 percent lighter than equivalent steel rolls and as the rollers get longer in the

larger diameter steel rolls, that weight reduction gets closer to 50 percent. CoreTech rollers require only one individual to lift, carry, and place the roller, increasing productivity while keeping workers safe.

Power Consumption. CoreTech rollers have lower running friction values, which, depending on the application, can decrease power bills by up to 30 percent a year. Less power is used during start-up and while in operation, contributing to lower electrical consumption.

Noise. CoreTech rollers create far less noise than steel rollers. The estimated noise contribution of CoreTech rollers is +/- 10 dB below the noise contribution of metal rollers. This noise variation can mean the difference between functioning below the maximum decibel levels and violating ordinances and compromising worker safety.

Corrosion. When moisture, acid, salt, or other corrosive materials are present, CoreTech provides an excellent alternative to steel rollers. CoreTech rollers provide the same CEMA ratings as steel rollers, with no loss of functional performance, and much longer life.



Field-Proven Seal Design

Rock Shield – The rock shield is pressed tight on the shaft and is stationary when the roller is in operation. This is the first line of defense and prevents larger material from damaging the seal. Since the rock shield is stationary, it improves safety by limiting rotating components accessible to workers near the outside of the idler.

Centrifugal Seal – The key to the CoreTech™ sealing arrangement, the centrifugal seal rotates with the roller and is specifically designed to create a vortex with forces up to 9X gravity. This action expels moisture and fines that may pass the rock shield. Centrifugal sealing is the most effective method of preventing moisture and dirt from entering the bearing chamber without the need for a grease pack.

Deep Groove Ball Bearing – A last line of defense, all CoreTech rollers use deep groove, factory lubricated and sealed for life ball bearings. The bearing selection ensures all CoreTech rollers meet the required application ratings and protect the bearings from premature failure due to corrosion or spalling.

Bearing Housing – The bearing housing is fused to the roller tube in a way that guarantees there is no path for moisture or dust to enter the roller. While many rollers use press fit end discs, the CoreTech roller is a unitary housing design. This means no end disk walk out and no risk of “pizza cutter” belt damage.

Key Features and Benefits



Ribbed Shell with inner core for medium- to heavy-duty applications.



Abrasion resistant outer shell for long life.

CoreTech™ HDPE Conveyor Rollers

The next generation of troughing and return rollers are made of lightweight, high strength, corrosion and abrasion resistant composite materials.

HDPE Single Replacement Rolls						
	Belt Width		Shaft Diameter		Roll Face	
	mm	in.	mm	in.	mm	in.
127 mm (5") Diameter Rolls	3 Roll Troughing					
	400	16	25	1	170	7
	450	18	25	1	190	7
	500	20	25	1	200	8
	600	24	25	1	240	9
	750	30	25	1	290	11
	900	36	25	1	340	13
	1050	42	25	1	390	15
	1200	48	25	1	450	18
	1350	54	25	1	500	20
	1500	60	25	1	560	22
	5 Roll Troughing					
	1200	48	25	1	270	11
	1350	54	25	1	290	11
	1500	60	25	1	340	13
	1800	72	25	1	400	16
	Single Return Roll					
	400	16	25	1	484	19
450	18	25	1	536	21	
Double Roll V-Return						
1050	42	25	1	560	22	

NOTE: additional roll sizes are available upon request.
Contact your Flexco Representative.

Authorised Distributor:

6 Angus Crescent • Longmeadow East Business Estate • Edenvale 1609 • South Africa
Tel: +27-11-608-4180 • Fax: +27-11-608-3516 • E-mail: info@flexco.com

Visit www.flexco.com for other Flexco locations and products.

©2012 Flexible Steel Lacing Company. 09-13. For Reorder: X2253

