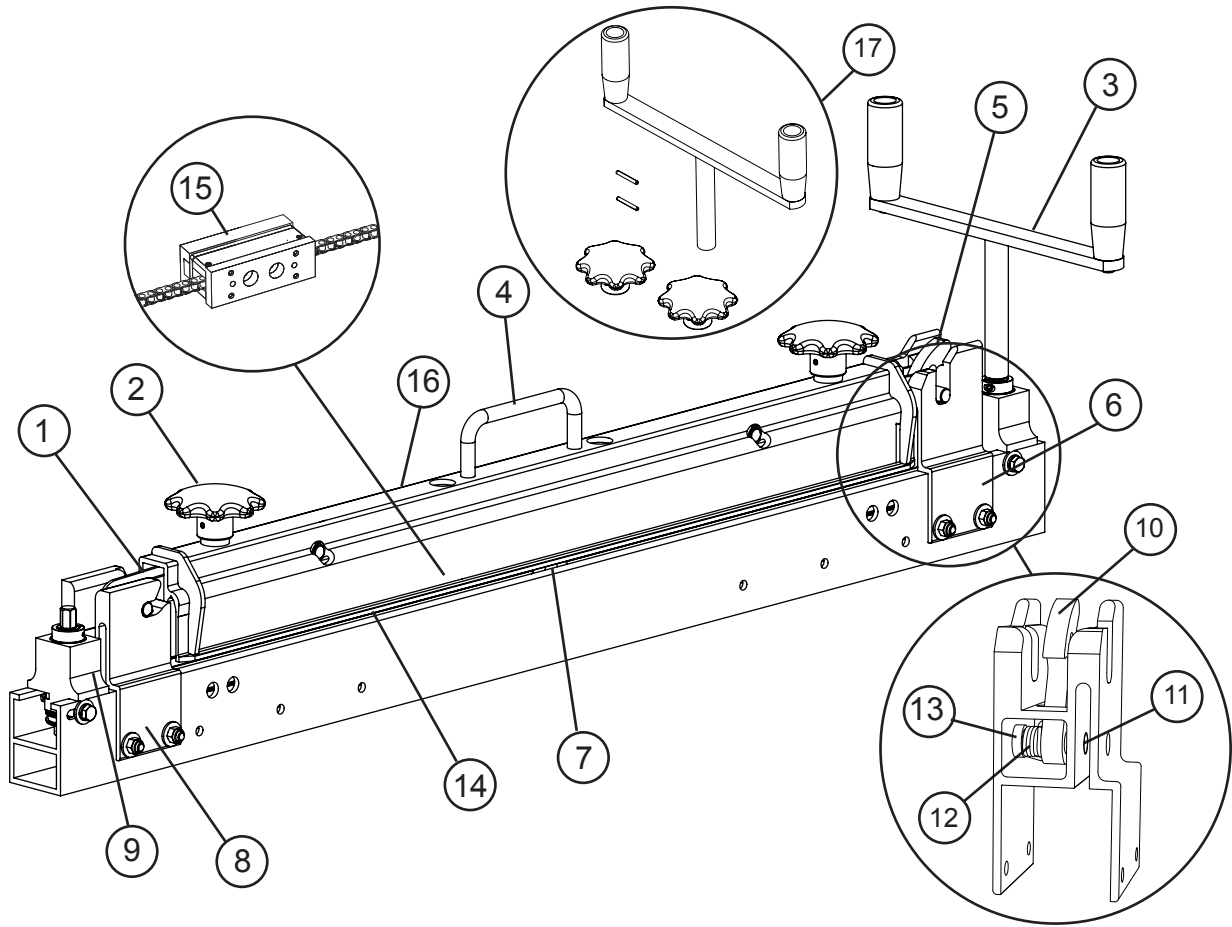


# 900 Series Belt Cutter Parts List



REF.	ITEM CODE	DESCRIPTION
1	04169	Clamp Arm Assembly, Left
2	106186	Clamp Knob/Screw Kit
3	04140	Drive Handle Assembly
4	04148	Carrying Handle Kit (for bolt handle replacement only)
5	04168	Clamp Arm Assembly, Right
6	108612	Right Upright Assembly
7	04149	Blade Replacement Kit
8	108611	Left Upright, Slotted
9	04141	Bearing Block Assembly
10	04133	Quick Release Latch
11	04132	Latch Shaft
12	04130	Latch Spring, Right
13	04131	Latch Spring Spacer
14	03500	Grip Tape

REF.	ITEM CODE	DESCRIPTION
15	04202	900 Series Belt Cutter 24" Chain Replacement Kit
	04156	900 Series Belt Cutter 36" Chain Replacement Kit
	04157	900 Series Belt Cutter 48" Chain Replacement Kit
	04158	900 Series Belt Cutter 60" Chain Replacement Kit
	04159	900 Series Belt Cutter 72" Chain Replacement Kit
	04160	900 Series Belt Cutter 84" Chain Replacement Kit
	04195	900 Series Belt Cutter 96" Chain Replacement Kit
16	04203	900 Series Belt Cutter 24" Clamp Assy
	04161	900 Series Belt Cutter 36" Clamp Assy
	04162	900 Series Belt Cutter 48" Clamp Assy
	04163	900 Series Belt Cutter 60" Clamp Assy
	04164	900 Series Belt Cutter 72" Clamp Assy
	04165	900 Series Belt Cutter 84" Clamp Assy
	04196	900 Series Belt Cutter 96" Clamp Assy

REF.	ITEM CODE	DESCRIPTION
17	118848	900 Series Belt Cutter Handle Kit

\*As of 2025, the 900 Series Belt Cutter has an updated drive handle and 8-point knobs. Please use the retrofit kit 118848, which includes (1) tall drive handle, (2) 8-point knobs and (2) spring pins.

Patent Numbers: US US8132489B2,  
International WIPO WO2009006619A1

Visit [www.flexco.com](http://www.flexco.com) for other Flexco locations and products, or to find an authorized distributor.

