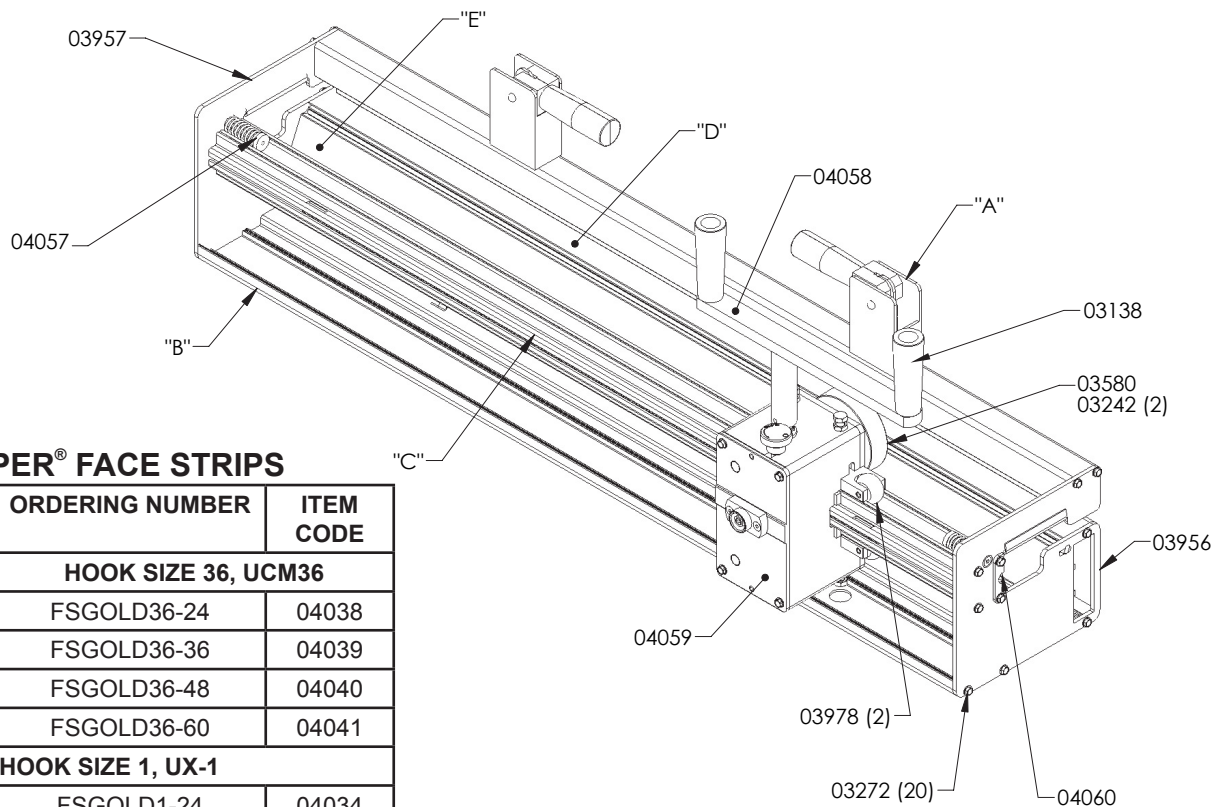


ROLLER LACER® GOLD CLASS™ PARTS LIST



CLIPPER® FACE STRIPS

BELT WIDTH		ORDERING NUMBER	ITEM CODE
		HOOK SIZE 36, UCM36	
in.	mm		
24"	600	FSGOLD36-24	04038
36"	900	FSGOLD36-36	04039
48"	1200	FSGOLD36-48	04040
60"	1500	FSGOLD36-60	04041
		HOOK SIZE 1, UX-1	
24"	600	FSGOLD1-24	04034
36"	900	FSGOLD1-36	04035
48"	1200	FSGOLD1-48	04036
60"	1500	FSGOLD1-60	04037
		HOOK SIZE 2-4, U2SP-U3	
24"	600	FSGOLD2-24	04042
36"	900	FSGOLD2-36	04043
48"	1200	FSGOLD2-48	04044
60"	1500	FSGOLD2-60	04045
		HOOK SIZE 4-1/2-7, U4-U7	
24"	600	FSGOLD4-1/2-24	04046
36"	900	FSGOLD4-1/2-36	04047
48"	1200	FSGOLD4-1/2-48	04048
60"	1500	FSGOLD4-1/2-60	04049

PARTS LIST

03957	Powered Roller Lacer End Plate (Left)
04057	Return Spring Kit Roller Lacer Gold
04059	Roller Lacer Gold Head Assembly
03978	Guide Roller Assembly
03272	Screw
04060	Face Strip Retaining Latch Kit
03956	Powered Roller Lacer End Plate (Right)
03580	Roller Kit
03242	Nuts
04058	Drive Handle Kit Serial Number 60,000+
03138	Plastic Drive Knob Assembly

R.L. ASSEMBLY NO.	"A" CLAMP ASSY.	"B" BODY PAN	"C" CHAIN ASSY.	"D" SLOTTED BELT TUBE	"E" SHELF	"F" CARRYING STRAP
03985	03971	03966	03980	03990	03959	04052
03986	03972	03967	03981	03991	03960	04052
03987	03973	03968	03982	03992	03961	04051
03988	03974	03969	03983	03993	03962	04051



2525 Wisconsin Avenue • Downers Grove, IL 60515-4200 • USA
Tel: (800) 541-8028 • Fax: (630) 971-1180 • E-mail: info@flexco.com

Visit www.flexco.com for other Flexco locations and products.

©2021 Flexible Steel Lacing Company. 08/10/21. For reorder: X1486

