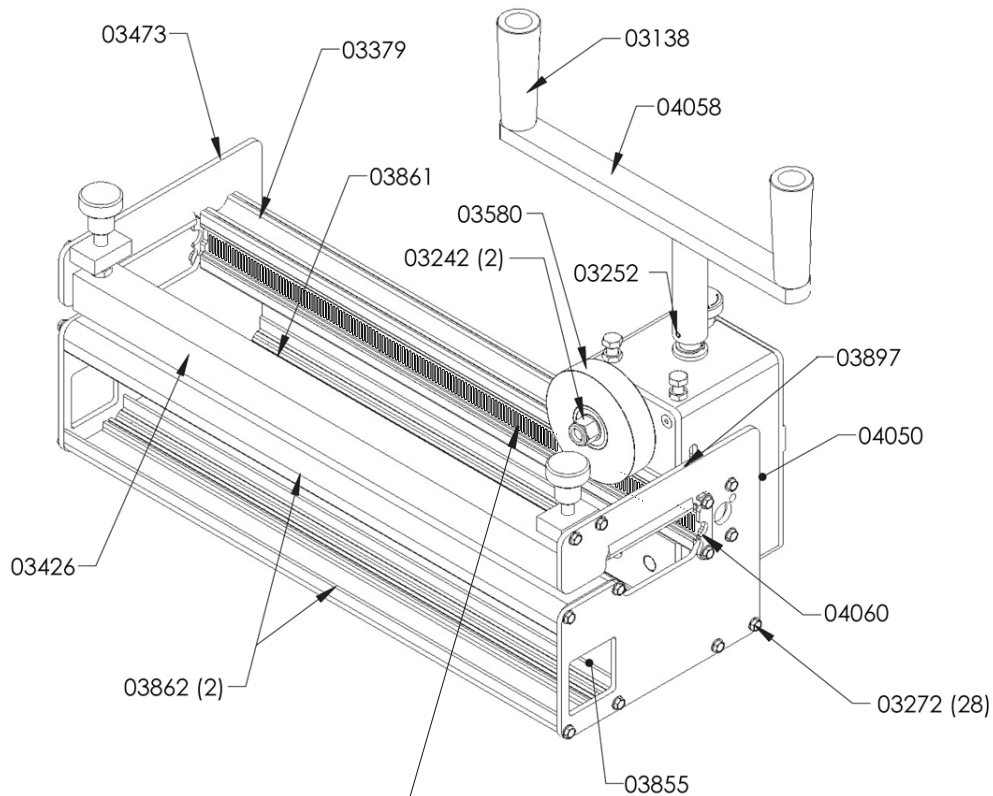


MICROLACER® PARTS LIST

FOR SERIAL NUMBERS 40,000+



- 03473 Roller Lacer End Plate
- 03426 Belt Clamp Assembly
- 03862 Aluminum Shelf- Micro without holes
- 03855 Roller Lacer Plastic Shelf Micro
- 03272 Screw
- 04060 Face Strip Retaining Latch Kit
- 04050 Head Assembly Manual
- 03897 Guide Block Kit
- 04058 Drive Handle Kit
- 03138 Plastic Drive Knob Assembly
- 03252 Spring Pin
- 03580 Roller Kit (Includes two rollers)
- 03242 Nuts
- 03861 Aluminum Shelf- Micro with holes
- 03379 Extra Body Chain Assembly

CLIPPER® FACE STRIPS

HOOK SIZE	ORDERING NUMBER	ITEM CODE
30	FSMAN30-MICRO	04063
36, UCM36	FSMAN36-MICRO	04019
1, UX-1	FSMAN1-MICRO	04014
2-4, U2-U3	FSMAN2-MICRO	04024
4-1/2-7, U4-U7	FSMAN4-1/2-MICRO	04029

ALLIGATOR® FACE STRIPS

DESCRIPTION	ORDERING NUMBER	ITEM CODE
for 00 Alligator Lacing	GFSA00-14	18243
for 1 & 7 Alligator Lacing	GFSA1&7-14	18248



2525 Wisconsin Avenue • Downers Grove, IL 60515-4200 • USA
 Tel: (630) 971-0150 • Fax: (630) 971-1180 • E-mail: info@flexco.com

Visit www.flexco.com for other Flexco locations and products.

©2014 Flexible Steel Lacing Company. 05-12-22. For Reorder: X1484

