



14" BELT CUTTER TABLE INSTALLATION

⚠ WARNING

Keep fingers and hands away from razor sharp blade at all times.

NOTE: ALWAYS WEAR CUT-RESISTANT GLOVES WHEN WORKING WITH THE BELT CUTTER.

1. Remove Belt Cutter from carton and install handle using the cotter pin provided. Insert handle in the socket until the groove in the handle lines up with the cotter pin hole in the socket. Insert and flare the end of the cotter pin.
2. Install the 10" table extrusion by sliding the matching dovetails into the adjacent table section until it butts up against the bottom beam. Install the three (3) 10-24 x 1-1/4" hex head screws through the holes in the bottom beam to secure extrusion to beam.
3. Belt Cutter is now ready for use.

14" BELT CUTTER OPERATING INSTRUCTIONS

TO OPEN END BEAM - To allow a cut in the middle of a roll of belting:

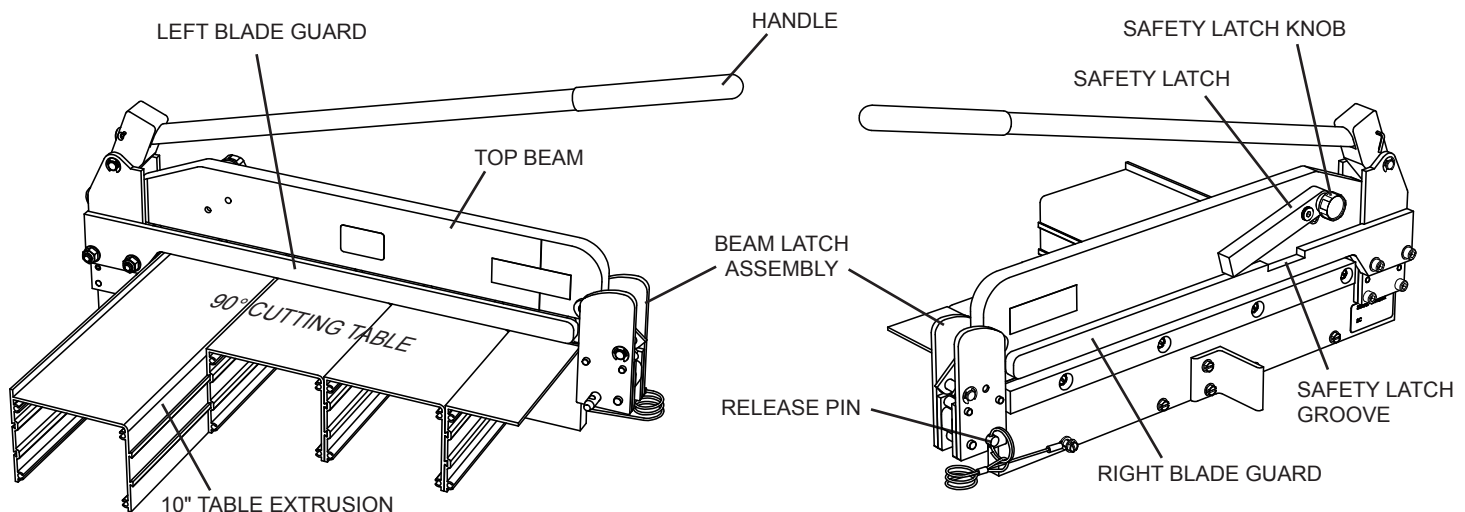
NOTE: ALWAYS WEAR CUT-RESISTANT GLOVES WHEN WORKING WITH THE BELT CUTTER. AVOID PLACING HANDS BENEATH THE BEAM, BLADE AND BEAM LATCH ASSEMBLY.

1. Lift handle to upright position.
2. To release the beam latch assembly, pull the release pin from the latch assembly.
3. Open end beam.
4. Ensure that the safety latch is positioned in the groove on the right blade guard.

TO CUT THE BELT:

NOTE: ALWAYS WEAR CUT-RESISTANT GLOVES WHEN WORKING WITH THE BELT CUTTER.

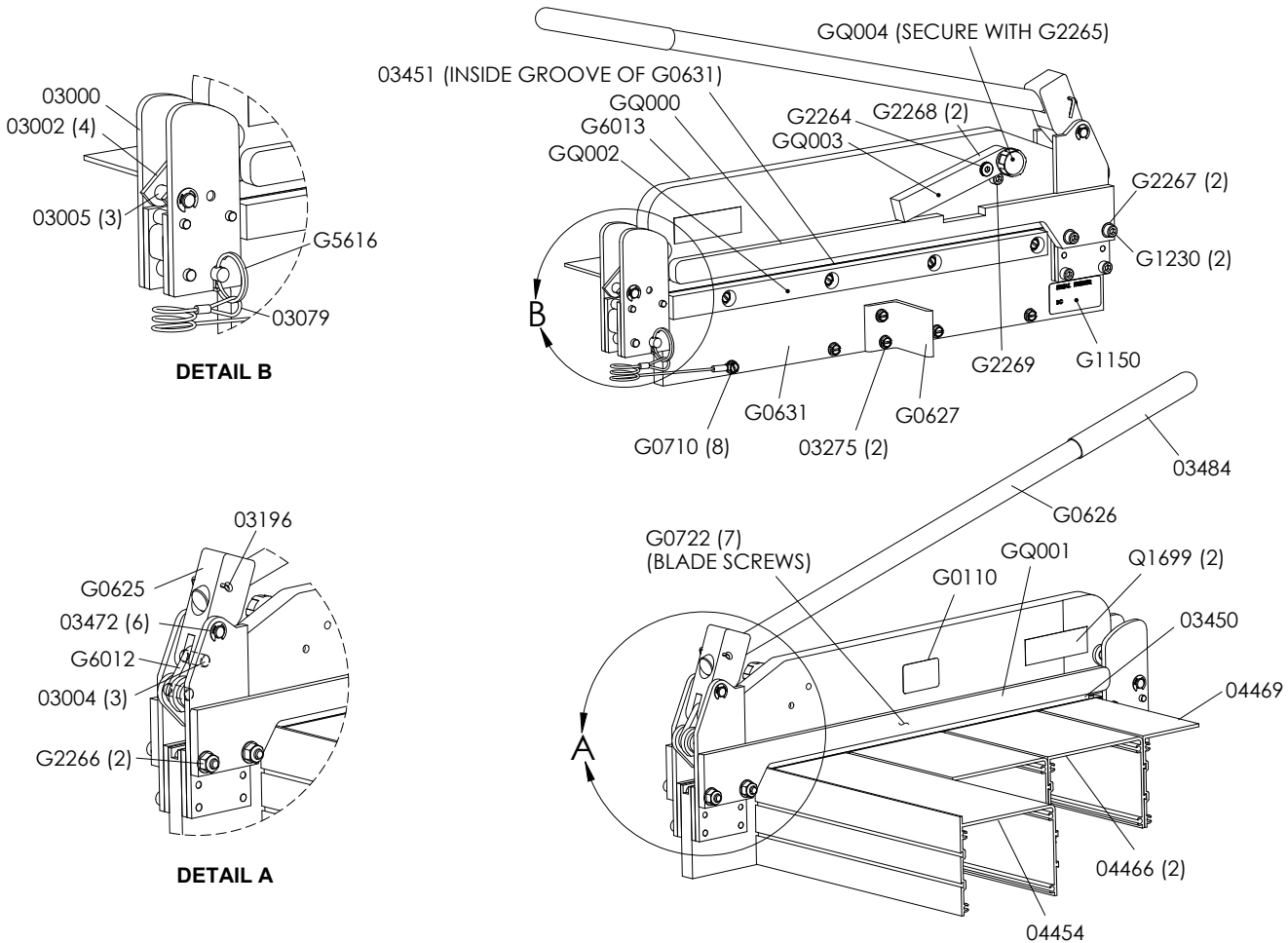
1. Insert belt under blade, ensuring that it is squared up with the 90° cutting table edge.
2. If the beam latch assembly is engaged, press handle down until belt is cut. If the top beam is raised, lift top beam, rotate safety latch knob to disengage safety latch, lower top beam, engage beam latch assembly, insert release pin, then press down on handle until belt is cut.



14" BELT CUTTER PARTS LIST



ITEM #	DESCRIPTION	ITEM #	DESCRIPTION
03000	LOWER GUIDE END SPACE STUD ASSY	G0710	10 - 24 X 1-1/4 HEX WASHER HEAD SCREW
03002	KNIFE BLADE LINKS GUIDE END	G0722	10 - 24 X 3/8 ZN SOCKET HEAD SCREW
03004	LINK PIN	G1150	SERIAL NO. LABEL
03005	LEVER SOCKET PIN	G1230	GUARD SCREW
03079	RELEASE PIN LANYARD	G2264	SCREW SOCKET HEAD CAP 1/4-20 x 7/16-3/8 SHLD
03196	3/32 X 1-1/2 COTTER PIN	G2265	SCREW FLAT HEAD SOCKET CAP 1/4-20 x .75 BLACK
03275	STABILIZER SCREW	G2266	NUT HEX NYLOCK FLNG 1/4-20 ZINC PL
03450	14" BELT CUTTER BLADE	G2267	WASHER 1/4" MIL SPEC SS
03451	14" NYLON CUTTER BLOCK	G2268	WASHER NO. 12 0.250 ID x 0.562 OD ZINC PL
03472	'E' RING 5/16 EXTERNAL TOOTH	G2269	SCREW SOCKET HEAD CAP 1/4-20 x .5" BLACK
03484	.625 X 5-1/4" FOAM GRIP HANDLE	G5616	RELEASE PIN
04454	CUTTER TABLE EXTRUSION 10"	G6012	LONG LINK
04466	CUTTER TABLE EXTRUSION 5"	G6013	14" BELT CUTTER TOP BEAM
04468	GUARD KIT 14" CUTTER	GQ000	BLADE GUARD RIGHT
04469	EXTENSION TABLE	GQ001	BLADE GUARD LEFT
G0110	BRAND LABEL	GQ002	BOTTOM GUARD
G0625	14" BELT CUTTER HANDLE SOCKET	GQ003	SAFETY LATCH
G0626	14" BELT CUTTER LEVER HANDLE	GQ004	LATCH KNOB
G0627	STABILIZER	Q1699	HAZARD LABEL
G0631	14" BELT CUTTER BOTTOM BEAM ASSY		



2525 Wisconsin Avenue • Downers Grove, IL 60515-4200 • USA
 Tel: (630) 971-0150 • Fax: (630) 971-1180 • E-mail: info@flexco.com

Visit www.flexco.com for other Flexco locations and products.

©2014 Flexible Steel Lacing Company, 11/14, 1174

