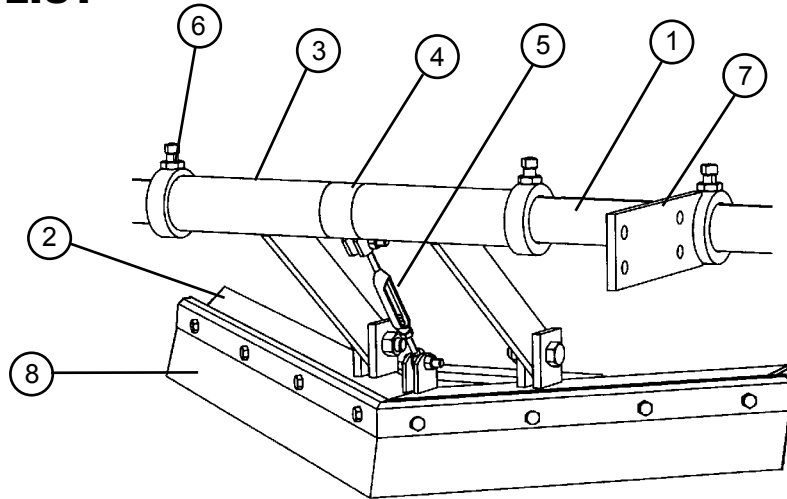


Eliminator® V-Plow

REPLACEMENT PARTS LIST



Replacement Parts - V-Plow

| REF | DESCRIPTION | BELT WIDTH (Min-Max) | | ORDERING NUMBER | ITEM CODE | WT. LBS. |
|---------------------------------|----------------------------------|-------------------------|-----------|--------------------|--------------|-------------|
| | | in. | mm | | | |
| 1 | V-Plow Pole XS | 18-24 | 450-600 | VPXS | 73400 | 13.0 |
| | V-Plow Pole S | 30-36 | 750-900 | VPS | 73408 | 15.0 |
| | V-Plow Pole M | 42-48 | 1050-1200 | VPM | 73409 | 18.0 |
| | V-Plow Pole L | 54-60 | 1350-1500 | VPL | 73410 | 21.0 |
| | V-Plow Pole 72 | 72 | 1800 | VP72 | 74395 | 24.0 |
| | V-Plow Pole 84 | 84 | 2100 | VP84 | 74396 | 27.0 |
| | V-Plow Pole 96 | 96 | 2400 | VP96 | 74397 | 30.0 |
| 2 | V-Plow Mainframe XS | 18-24 | 450-600 | VMFXS | 73535 | 12.0 |
| | V-Plow Mainframe S | 30-36 | 750-900 | VMFS | 73549 | 15.0 |
| | V-Plow Mainframe M | 42-48 | 1050-1200 | VMFM | 74037 | 22.0 |
| | V-Plow Mainframe L | 54-60 | 1350-1500 | VMFL | 74038 | 28.0 |
| | V-Plow Mainframe 72 | 72 | 1800 | VMF72 | 74398 | 35.0 |
| | V-Plow Mainframe 84 | 84 | 2100 | VMF84 | 74399 | 42.0 |
| | V-Plow Mainframe 96 | 96 | 2400 | VMF96 | 74440 | 50.0 |
| 3 | VP Main Linkage Kit* (1 ea.) | | | VMLK | 74982 | 5.0 |
| 4 | VP Center Sleeve | | | VCS | 73533 | 1.0 |
| 5 | V-Plow Adjuster Kit* | | | VAK | 76416 | 0.5 |
| 6 | VP Stop Collar* (1 ea.) | | | VSC | 74983 | 1.0 |
| 7 | VP Mounting Bracket Kit* (1 ea.) | | | VMBK | 73399 | 5.0 |
| REPLACEMENT BLADE KITS** | | | | | | |
| 8 | Replacement Blade Kit XS | 18-24 | 450-600 | VBK-XS | 73190 | 4.5 |
| | Replacement Blade Kit S | 30-36 | 750-900 | VBK-S | 73191 | 6.0 |
| | Replacement Blade Kit M | 42-48 | 1050-1200 | VBK-M | 73192 | 7.5 |
| | Replacement Blade Kit L | 54-60 | 1350-1500 | VBK-L | 73193 | 9.0 |
| | Replacement Blade Kit 72 | 72 | 1800 | VBK-72 | 74457 | 13.0 |
| | Replacement Blade Kit 84 | 84 | 2100 | VBK-84 | 74458 | 15.0 |
| | Replacement Blade Kit 96 | 96 | 2400 | VBK-96 | 74459 | 17.0 |

Shaded items are made to order.
Lead time: 10 working days

*Hardware included

**Kit includes blades and replacement blade bolts.

Lead time: 1 working day



1995 Oak Industrial Dr. NE • Grand Rapids, MI 49505 U.S.A.

Telephone: (616)-459-3196 • Fax: (616)-459-4976 • E-mail: info@flexco.com • Web: www.flexco.com

Australia: 61-2-9680-3322 • China: 86-21-33528388 • England: 44-1274-600-942

Germany: 49-7428-9406-0 • Mexico: 52-55-5674-5326 • South Africa: 27-11-608-4180

©2008 Flexible Steel Lacing Company. Eliminator® is a registered trademark.
07/08. For Reorder: X1091

