

Eliminator[®] Belt Cleaner Accessories

Water Spray Pole System

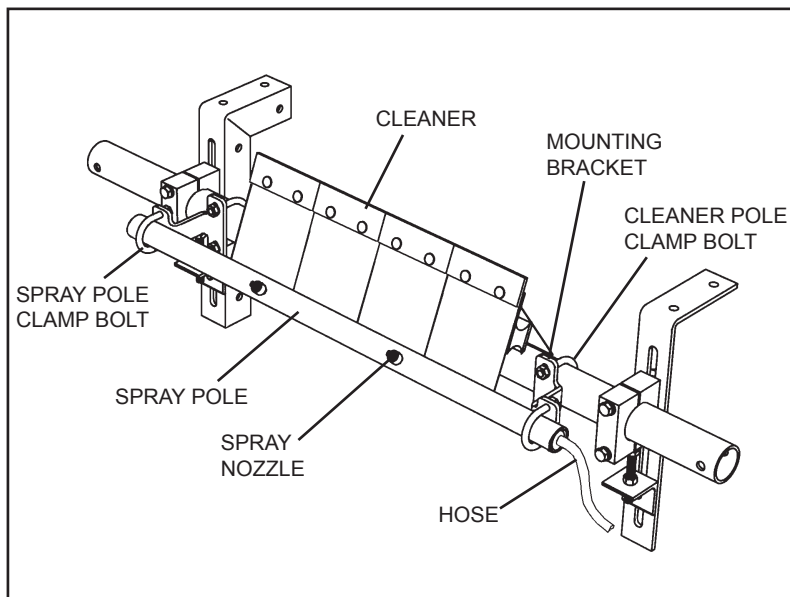
Instructions for Installation

TOOLS NEEDED:

- TAPE MEASURE
- 3/4" (19mm) WRENCH
- 7/8" (22mm) WRENCH
- 1" (25mm) WRENCH
- PIPE WRENCH

BEFORE YOU BEGIN:

- **PHYSICALLY LOCK OUT AND TAG THE CONVEYOR AT THE POWER SOURCE.**
- Check for clearance for the unit in front of the cleaner.
- Double check that the correct mounting kit has been selected for the cleaner type and size (see the chart below).



Mounting Kit	Cleaner Type	Cleaner Size
75577 SPMK 1	U-Type	18"-42"
75578 SPMK 2	P, I and R Types	18"-72"
	U-Type	48"-60"
75579 SPMK 3	H D P, I and R Types	42"-120"
	U-Type	72"-120"

STEP 1. Disassemble mounting clamp bolts. Remove the nuts and lock washers from each mounting clamp bolt (Fig. 1).

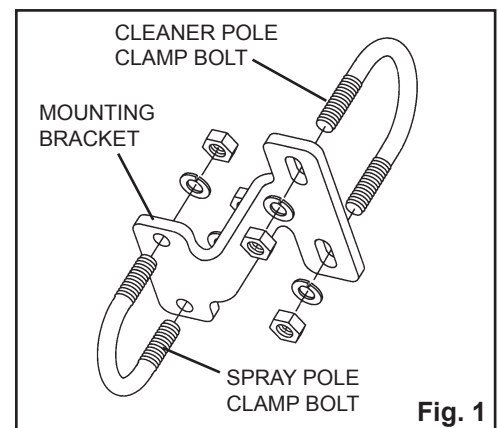


Fig. 1

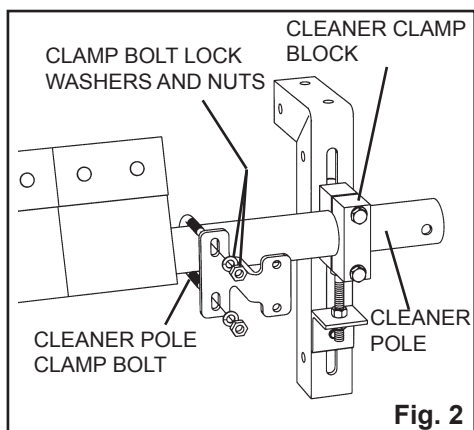


Fig. 2

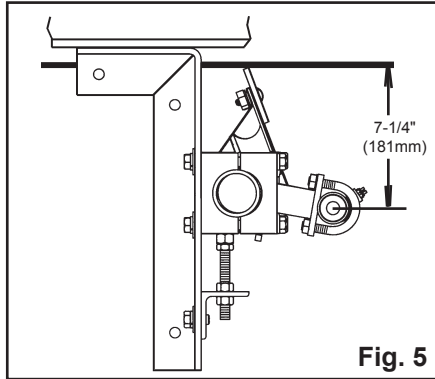
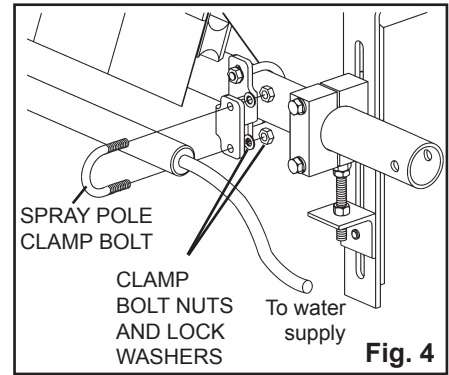
STEP 2. Attach the mounting brackets to the cleaner pole.

Position the large end of one mounting bracket against the cleaner pole (inside the cleaner's clamp blocks and close to the cleaning tips) (Fig. 2). Position the cleaner pole clamp bolt onto the cleaner pole and into the mounting bracket and fasten with two lock washers and nuts. Leave the nuts finger tight and repeat on opposite side.

STEP 3. Attach the hose to the spray pole. Carefully thread the fixed end of the spray pole hose onto the spray pole and tighten.

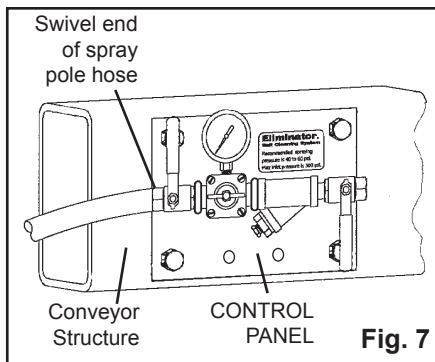
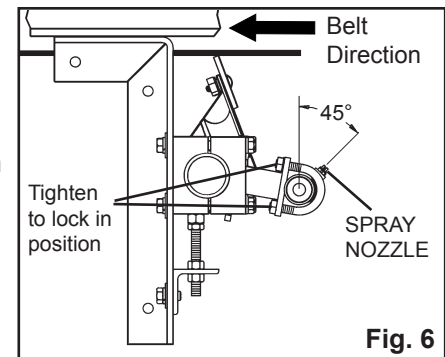
Note: Be sure that dirt or other contaminants do not get into the hose or spray pole end during assembly.

STEP 4. Attach the spray pole to the mounting brackets. Position the spray pole to the small end of the mounting brackets, with the hose end to the side of the conveyor with the water supply. Slide the smaller spray pole clamp bolts over the spray pole and through the mounting brackets (Fig. 4). Fasten with lock washers and nuts; leave finger-tight.



STEP 5. Position the spray pole to the belt. Lift the spray pole until there is 7-1/4" (181mm) between the belt and the center of the spray pole (Fig. 5). Tighten the two cleaner pole clamp bolts to lock the spray pole in this position.

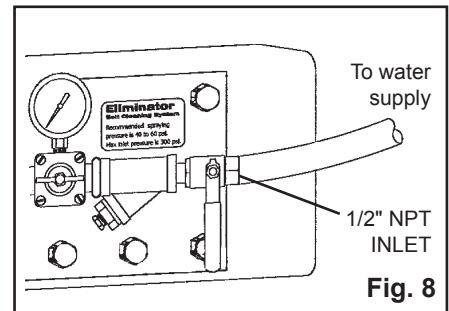
STEP 6. Set the spray nozzle angle to the belt. Rotate the spray pole until the spray nozzles are pointed away from the cleaner and at approximately a 45° angle into the belt's direction of travel (Fig. 6). Center the spray pole to the belt and tighten the spray pole clamp bolts securely.



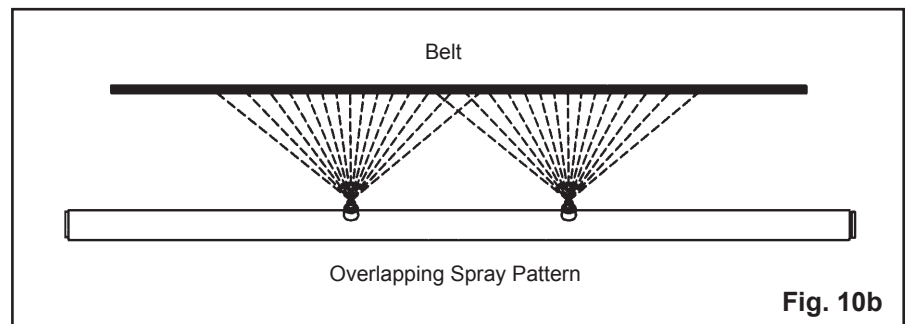
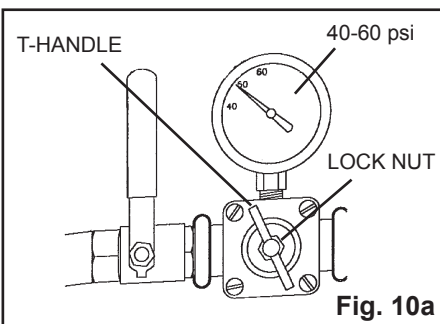
STEP 7. Mount the control panel (optional unit--if you did not purchase one, connect to your own control source). Pick a location that is easy to access and within 10 feet of the spray pole. Either bolt or weld the control panel into place (Fig. 7).

STEP 8. Connect the spray pole hose to the control panel. After the control panel has been securely fastened, connect the swivel end of the spray pole hose to the outlet end of the control panel (Fig. 7).

STEP 9. Connect to the water source. Connect the water source to the 1/2" NPT inlet on the control panel (Fig. 8). **Important: Maximum inlet pressure is 300 psi.** Test and flush the pole. Remove the spray nozzle on the end of the pole on the opposite side from the hose connection. Turn on the water for 30 seconds to flush the pole of any dirt and contaminants and to check all connections for leaks. Turn off the water and re-install the spray nozzle.



STEP 10. Set the water pressure. Loosen the lock nut on the water pressure regulator and adjust by turning the "T" handle until the pressure is in a range of 40 to 60 psi (Fig. 10a). Tighten the lock nut. Test the unit for a good overlapping spray pattern (Fig. 10b).



2525 Wisconsin Avenue • Downers Grove, IL 60515-4200 • USA
Tel: (800) 541-8028 • Fax: (630) 971-1180 • E-mail: info@flexco.com

Visit www.flexco.com for other Flexco locations and products.

©2021 Flexible Steel Lacing Company. 08/05/21. For reorder: X0997

