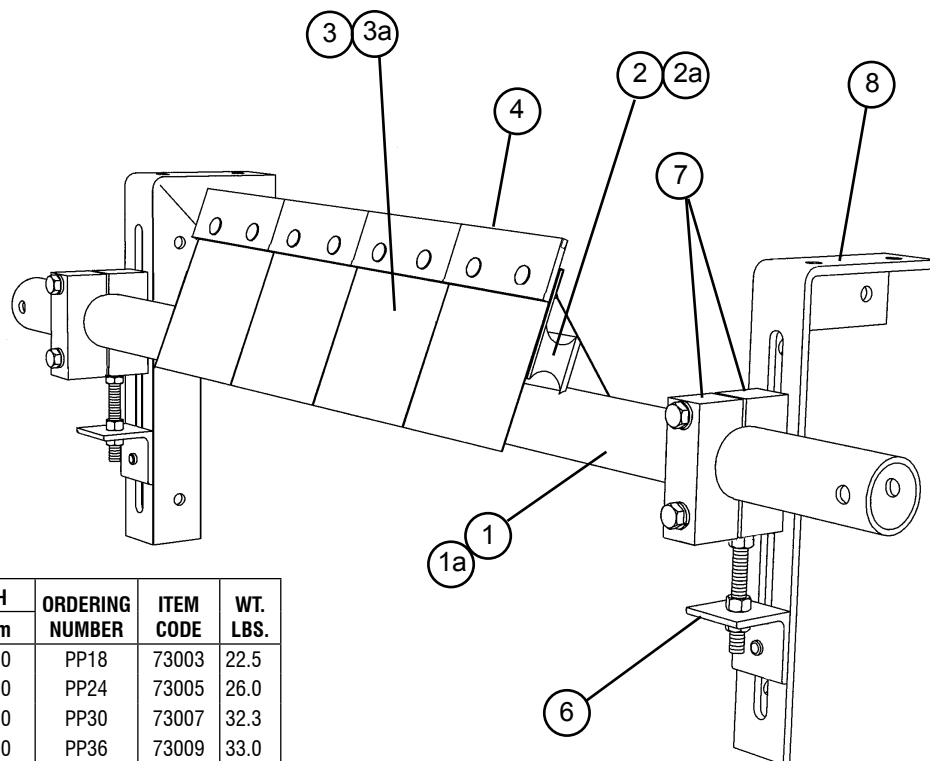
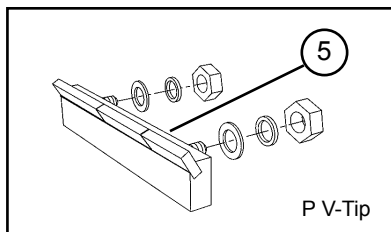


Eliminator® Belt Cleaning Systems

P-Type® Belt Cleaner

REPLACEMENT PARTS LIST



REF	DESCRIPTION	BELT WIDTH		ORDERING NUMBER	ITEM CODE	WT. LBS.
		in.	mm			
1	P-Type Pole	18"	450	PP18	73003	22.5
		24"	600	PP24	73005	26.0
		30"	750	PP30	73007	32.3
		36"	900	PP36	73009	33.0
		42"	1050	PP42	73011	43.0
		48"	1200	PP48	73013	47.5
		54"	1350	PP54	73015	55.0
		60"	1500	PP60	73016	58.0
		72"	1800	PP72	73017	64.0
1a	P-Type LS Pole	18"	450	PLSP18	75595	32.3
		24"	600	PLSP24	75596	36.0
		30"	750	PLSP30	75597	38.7
		36"	900	PLSP36	75598	42.4
2	P2 C-Tip Cushion*			PCC2	75837	2.0
2a	P Cushion Neoprene* (oil resistant)			PNC	74984	3.5
3	P Polysield			PPS6	73024	0.5
3a	P SS Shield			PSSS	74773	0.5
4	C-Tip* (for mechanically spliced and vulcanized belts)			ICT6	74535	0.7
5	P V-Tip* (for vulcanized belts only)			PVT6	73018	1.0
6	P Adjusting Bracket Repair Kit* (includes 2 adjusting brackets)			PARK	73071	2.0
7	P Pole Clamp Repair Kit* (includes 2 pole clamps)			PCRK	73072	10.0
8	P Mounting Bracket Repair Kit (includes L and R mounting bracket)			PMRK	73101	13.0
-	P/R/I Mounting Kit* (includes 1 ea. items 6, 7 & 8)			P/RMK	73025	31.5
-	Select Set™ Tension Kit* (includes 1 ea. items 6 & 7)			SSTK	74883	34.0

*Hardware included
Lead time: 3 working days

FLEXIBLE STEEL LACING COMPANY

2525 Wisconsin Avenue • Downers Grove, Illinois 60515

Phone: 1-630-971-0150 • Fax: 1-630-971-1180

BCP Help Line 1-800-253-8132

