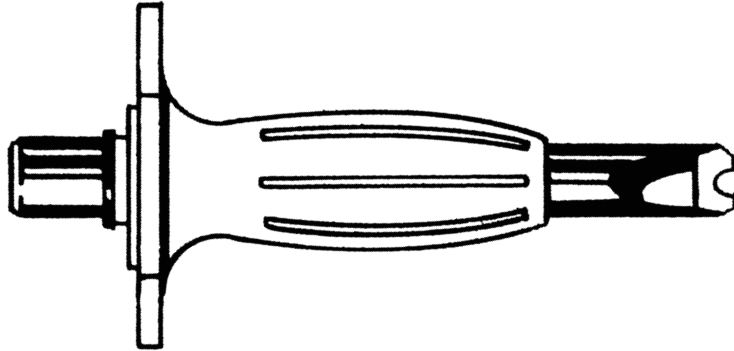
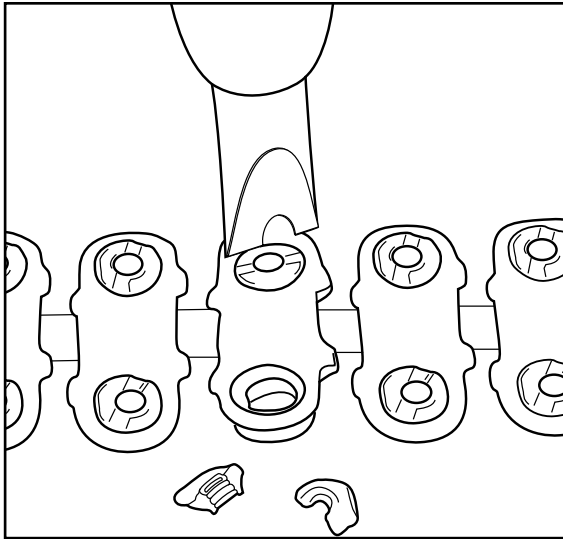


Flexco® Cracking Chisel

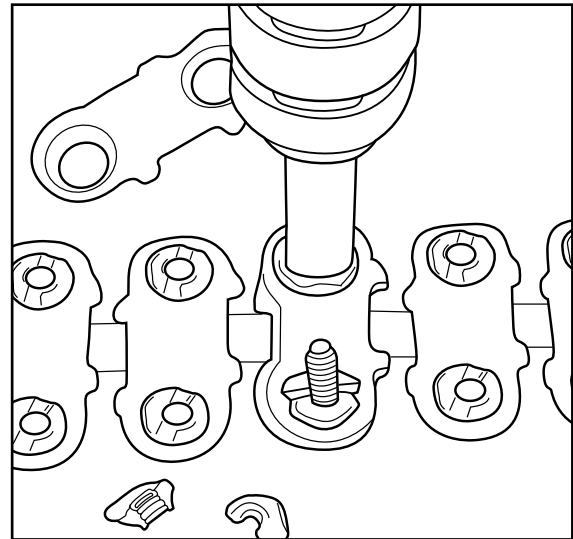


- Replacement of prematurely worn plates in minutes without replacing entire splice.
- Requires only a hammer.
- Three sizes available.
 - C1C for No. 1, 140 or 190 nuts
 - C2C for No. 1-1/2, 2 or 2-1/4 nuts.
 - C3C for No. 2-1/2 and 3 nuts

With the Flexco® Cracking Chisel, excessively worn top plates and individual fasteners can be replaced quickly and easily. Only a hammer and a Flexco® Cracking Chisel are required. Removal of prematurely worn plates avoids installing a complete new splice. Saves time and money. Two simple steps.



1. Place Cracking Chisel over the nut and hit with a firm blow. Use a 2 lb. or heavier hammer. Be sure to wear safety goggles. **NOTE:** Position worn plate over solid backing before striking chisel.



2. After nuts are removed, replace plates, bolts, and nuts. Tighten nuts and break off excessive bolt ends. **NOTE:** Tighten nuts so plates compress into belt cover and pucker belt around plate edge.



2525 Wisconsin Avenue • Downers Grove, IL 60515-4200 U.S.A.
Tel: 1-630-971-0150 • Fax: 1-630-971-1180 • E-mail: info@flexco.com

Visit www.flexco.com for other Flexco locations and products.

©2010 Flexible Steel Lacing Company. Flexco® is a registered trademark. 12-13-16. For Reorder: X0488

