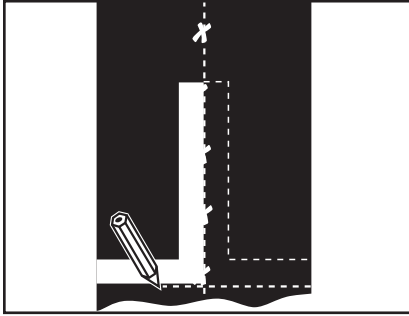




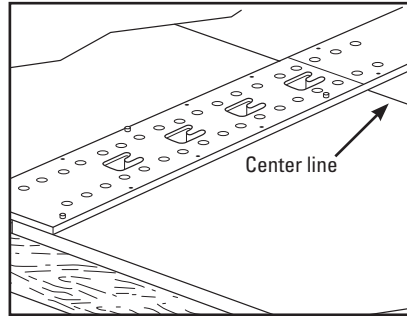
# Plastic Rivet Fastener

## Installation Instructions

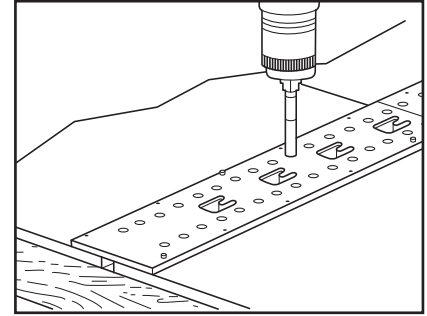
Punch the holes from the top of the belt. The templet, belt punch, curling bit, and fastener numbers must be the same (ie. 150).



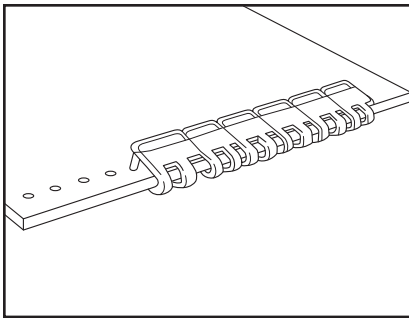
1. Square belt end at right angle to center line. Cut belt using a Flexco belt cutting tool.



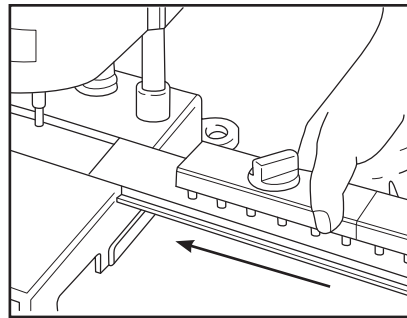
2. Place templet over belt end, aligning centerlines and, make sure belt end is tight against templet lugs. Slide second belt end under templet, against lugs. Align centerlines. Nail or clamp the templet in place.  
**Drive nail halfway into belt and bend nail over.**



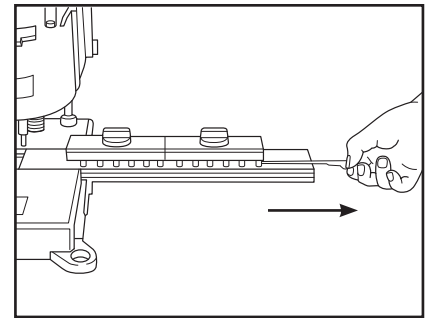
3. Install the appropriate belt punch in the chuck of a 3/8" electric drill. Spray Alligator Plastic Rivet Lube in the holes of the templet and drill the holes in the belt. Do not punch holes up to the edge of the belt. Leave 1/4" of belt open for notching.



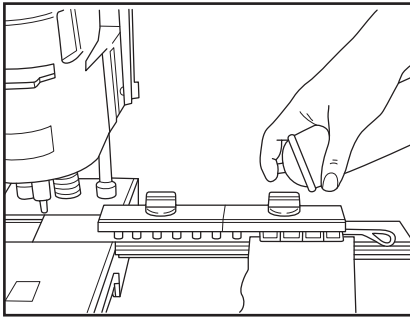
4. Install the fasteners across the belt by opening each plate enough to slide it over the belt. Insert the rivets from the top placing the smooth side of the fasteners on the top side of the belt. Squeeze each plate to make certain that it is inserted fully.



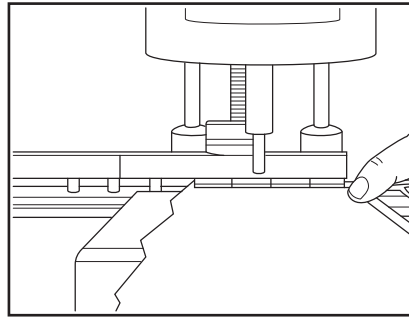
5. Insert the proper comb assembly into the MDT-1 installation tool and make sure that the proper curling bit is installed in the MDT-1. Connect the installation tool to a 110 volt outlet.



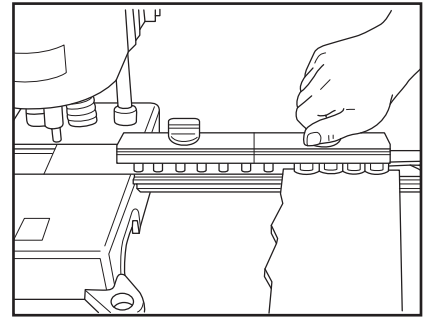
6. Slide the comb assembly to one side and remove the gauge pin. Insert one end of the belt into the comb. Insert the gauge pin and tighten the clamp screws by hand until the fasteners are pressed firmly against the belt surface.



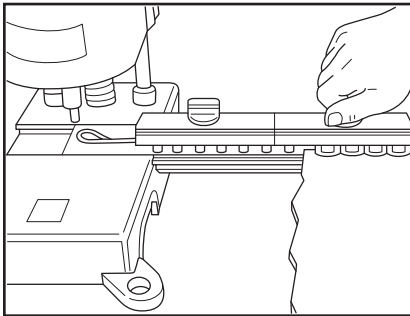
7. With the comb assembly to one side, spray a light covering of Alligator Plastic Rivet Lube (PRL4) on the rivet ends.



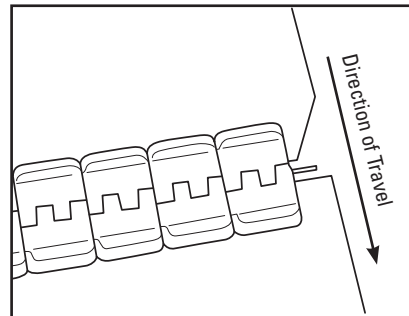
8. Turn on the tool. Line up an end rivet with the curling bit and apply pressure to the rivet. Make certain the curling bit contacts the rivet end only. Maintain pressure until the rivet is formed into a tight, low profile curl.



9. Remove the gauge pin, loosen the clamp screws, and remove the belt from the comb assembly. Repeat the procedure on the second belt end.



**10. Installing fasteners on a wide belt:** Insert the other side of the belt end in the comb. Insert the gauge pin, tighten the clamp screws, and continue as before.



11. Mesh the two belt ends together and insert the hinge pin. Notch the trailing belt end, and, using pliers, bend the end of the pin to prevent migration.